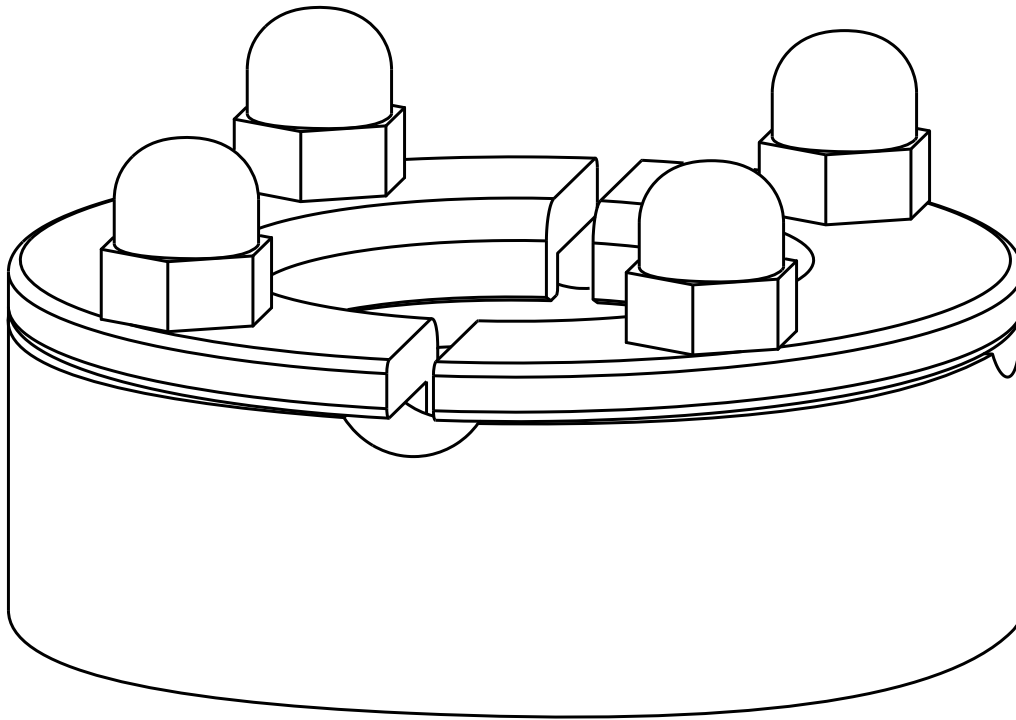


## ZERO DEAD LEG CONNECTION



**Welding Plate Material:**

1.4404

**Locking Ring Material:**

1.4404

**Bolts & Nuts:**

1.4404 / 1.4301

**Internal finishing:**

0,6 Ra

**External finishing:**

1,2 Ra

**Available connections according to:**

ASTM A269-A270

DIN 32676 & 11850 Series 1-3

ISO 1127 Serie 1

SMS 3008

**Available lengths:**

12 mm - 25 mm - 38 mm - 51 mm

Special lengths or materials available on request

**On request:**

Possibility to deliver “already machined rounded plates” to be able to copy the internal shape of the vessel achieving the highest customers requirements. Customers will have a great benefit in terms of quality and cost saving on vessel manufacturing.

**Multiport monoblock (CADLID):**

Tank covers machined from solid, no weldings, cost saving on vessel manufacturing and higher quality achieved.



## TOP QUALITY

### Welding Plate Material:

1.4435-BN2

(Low ferrite and low sulphur also according to ASME BPE requirements)

### Locking Ring Material:

1.4404

### Bolts & Nuts:

1.4404 / 1.4301

### Internal finishing:

0,4 Ra

### External finishing:

0,8 Ra

### Available connections according to:

ASTM A269-A270

DIN 32676 & 11850 Series 1-3

ISO 1127 Serie 1

SMS 3008

### Available lengths:

12 mm - 25 mm - 38 mm - 51 mm

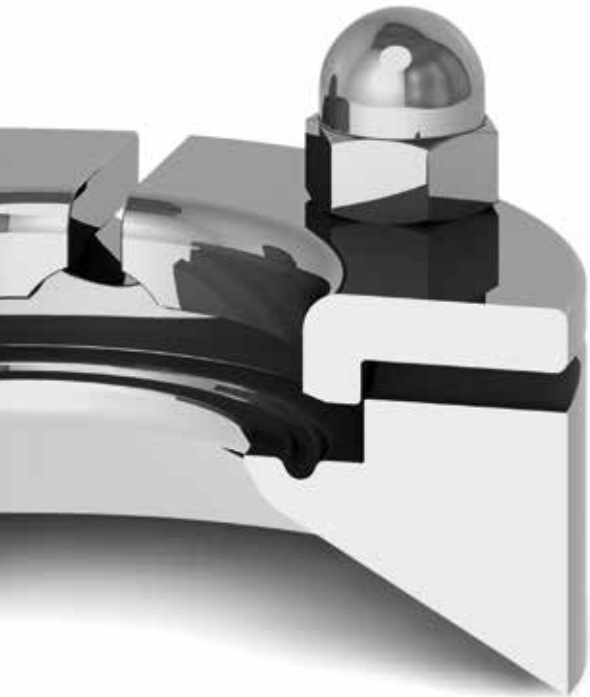
Special lengths or materials available on request

### On request:

Possibility to deliver “already machined rounded plates” to be able to copy the internal shape of the vessel achieving the highest customers requirements. Customers will have a great benefit in terms of quality and cost saving on vessel manufacturing.

### Multiport monoblock (CADLID):

Tank covers machined from solid, no weldings, cost saving on vessel manufacturing and higher quality achieved.



APPLICATION EXAMPLE

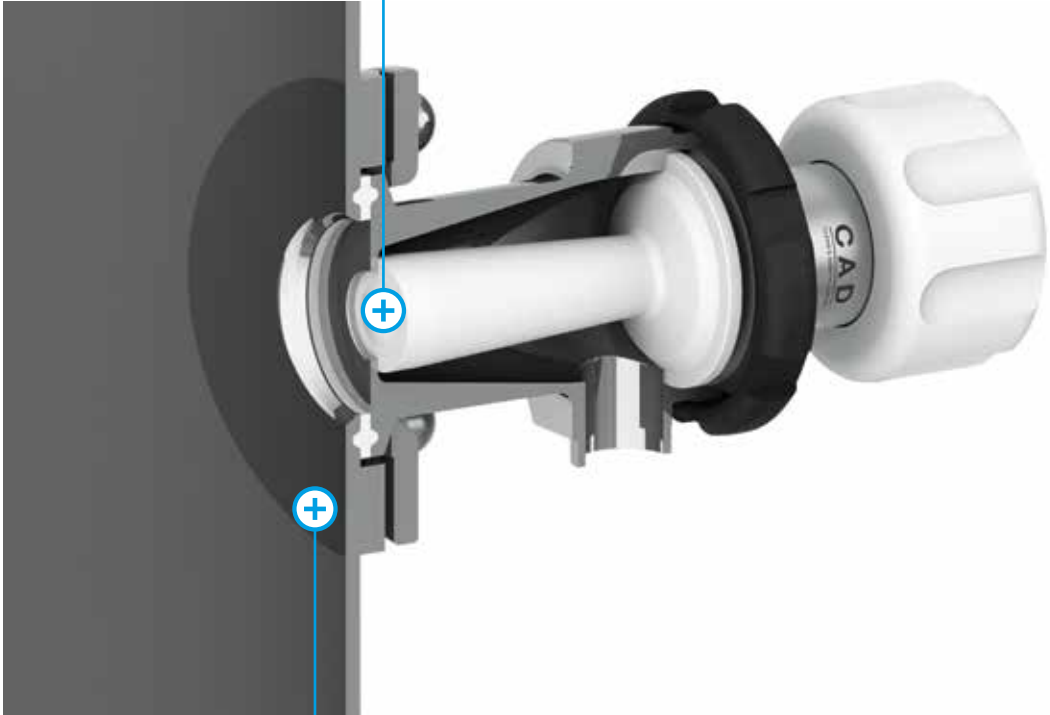


Real Zero Dead  
Leg design

Top vessel assembling of CADCON  
with CAD Valve on extended version for vent. filter.

Side vessel assembling of CADCON  
with CAD Valve on extended  
version for sampling.

Real Zero Dead  
Leg design



Rounded milled  
welding plate according  
to the radius of the vessel

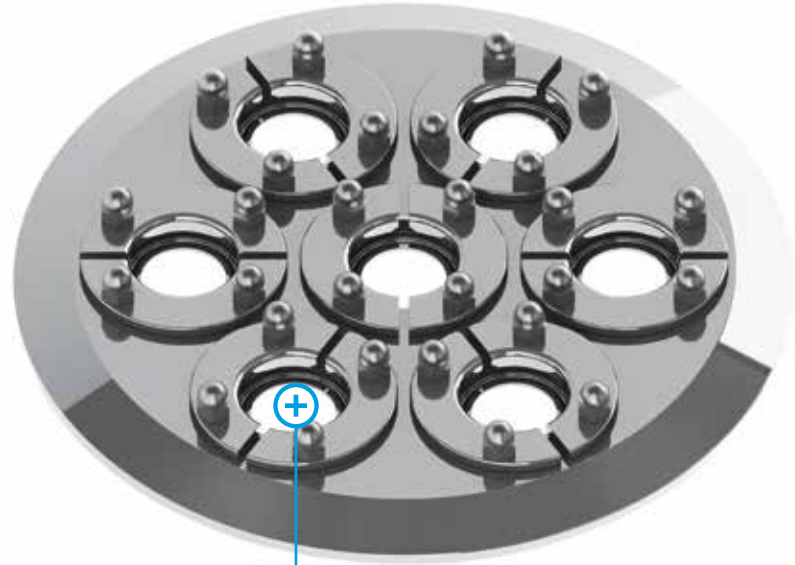


Valve inlet open to the turbulence of mixing unit

Bottom vessel assembling of CADCON with CAD Valve on extended version for bottom tank valve function.

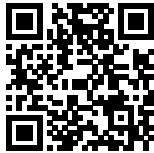
APPLICATION EXAMPLE

Vessel top cover fully machined from solid.  
Perfect geometry, better surface quality,  
shorter distance between connections,  
no weldings.



Real Zero Dead Leg design

For additional informations and data sheets:  
<http://www.rattiinox.com/cadcon.html>



**Rattiinox s.r.l**

Via Mara, 44 22066 Mariano Comense (Como) Italy

**T** +39.031.3551263 **F** +39.031.3554509

[www.rattiinox.com](http://www.rattiinox.com) [info@rattiinox.com](mailto:info@rattiinox.com)