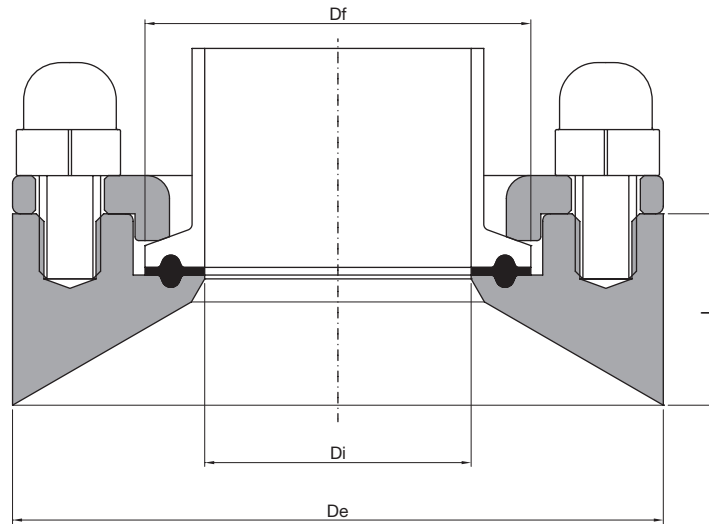


# XCON ZERO DEAD LEG CONNECTION

TECHNICAL INFORMATION \_ XCON - DIN 32676 & 11850 SERIES 1-3 - AISI 316L - 1.4404 - 0,4 Ra INT - 0,8 Ra EXT



SIZE	CODE	L mm (inch)	De mm (inch)	Df mm (inch)	Di mm (inch)
DN10	XCON-0010-0012-D0000	12,00 (0,47)	70,00 (2,76)	34,00 (1,34)	10,00 (0,39)
	XCON-0010-0025-D0000	25,00 (0,98)			
	XCON-0010-0038-D0000	38,00 (1,50)			
	XCON-0010-0051-D0000	51,00 (2,01)			
DN15	XCON-0015-0012-D0000	12,00 (0,47)	70,00 (2,76)	34,00 (1,34)	16,00 (0,63)
	XCON-0015-0025-D0000	25,00 (0,98)			
	XCON-0015-0038-D0000	38,00 (1,50)			
	XCON-0015-0051-D0000	51,00 (2,01)			
DN20	XCON-0020-0012-D0000	12,00 (0,47)	70,00 (2,76)	34,00 (1,34)	20,00 (0,79)
	XCON-0020-0025-D0000	25,00 (0,98)			
	XCON-0020-0038-D0000	38,00 (1,50)			
	XCON-0020-0051-D0000	51,00 (2,01)			
DN25	XCON-0025-0012-D0000	12,00 (0,47)	85,00 (3,35)	50,50 (1,99)	26,00 (1,02)
	XCON-0025-0025-D0000	25,00 (0,98)			
	XCON-0025-0038-D0000	38,00 (1,50)			
	XCON-0025-0051-D0000	51,00 (2,01)			
DN32	XCON-0032-0012-D0000	12,00 (0,47)	85,00 (3,35)	50,50 (1,99)	32,00 (1,26)
	XCON-0032-0025-D0000	25,00 (0,98)			
	XCON-0032-0038-D0000	38,00 (1,50)			
	XCON-0032-0051-D0000	51,00 (2,01)			
DN40 (Flange 50.50)	XCON-0040-0012-D0050	12,00 (0,47)	85,00 (3,35)	50,50 (1,99)	38,00 (1,50)
	XCON-0040-0025-D0050	25,00 (0,98)			
	XCON-0040-0038-D0050	38,00 (1,50)			
	XCON-0040-0051-D0050	51,00 (2,01)			

SIZE	CODE	L mm (inch)	De mm (inch)	Df mm (inch)	Di mm (inch)
<b>DN40</b> (Flange 64.00)	XCON-0040-0015-D0064	15,00 (0,59)	100,00 (3,94)	64,00 (2,52)	38,00 (1,50)
	XCON-0040-0025-D0064	25,00 (0,98)			
	XCON-0040-0038-D0064	38,00 (1,50)			
	XCON-0040-0051-D0064	51,00 (2,01)			
<b>DN50</b>	XCON-0050-0015-D0000	15,00 (0,59)	100,00 (3,94)	64,00 (2,52)	50,00 (1,97)
	XCON-0050-0025-D0000	25,00 (0,98)			
	XCON-0050-0038-D0000	38,00 (1,50)			
	XCON-0050-0051-D0000	51,00 (2,01)			
<b>DN65</b>	XCON-0065-0015-D0000	15,00 (0,59)	131,00 (5,16)	91,00 (3,58)	66,00 (2,60)
	XCON-0065-0025-D0000	25,00 (0,98)			
	XCON-0065-0038-D0000	38,00 (1,50)			
	XCON-0065-0051-D0000	51,00 (2,01)			
<b>DN80</b>	XCON-0080-0015-D0000	15,00 (0,59)	146,00 (5,75)	106,00 (4,17)	81,00 (3,19)
	XCON-0080-0025-D0000	25,00 (0,98)			
	XCON-0080-0038-D0000	38,00 (1,50)			
	XCON-0080-0051-D0000	51,00 (2,01)			
<b>DN100</b>	XCON-0100-0015-D0000	15,00 (0,59)	170,00 (6,69)	119,00 (4,69)	100,00 (3,94)
	XCON-0100-0025-D0000	25,00 (0,98)			
	XCON-0100-0038-D0000	38,00 (1,50)			
	XCON-0100-0051-D0000	51,00 (2,01)			

**Welding Plate Material:** 1.4404

**Locking Ring Material:** 1.4404

**Bolts & Nuts:** 1.4404 / 1.4301

**Internal finishing:** 0,4 Ra

**External finishing:** 0,8 Ra

## ON REQUEST



Possibility to deliver "already machined rounded plates" to be able to copy the internal shape of the vessel achieving the highest customers requirements. Customers will have a great benefit in terms of quality and cost saving on vessel manufacturing



Multiport monoblock (CADLID)  
Tank covers machined from solid, no weldings, cost saving on vessel manufacturing and higher quality achieved.