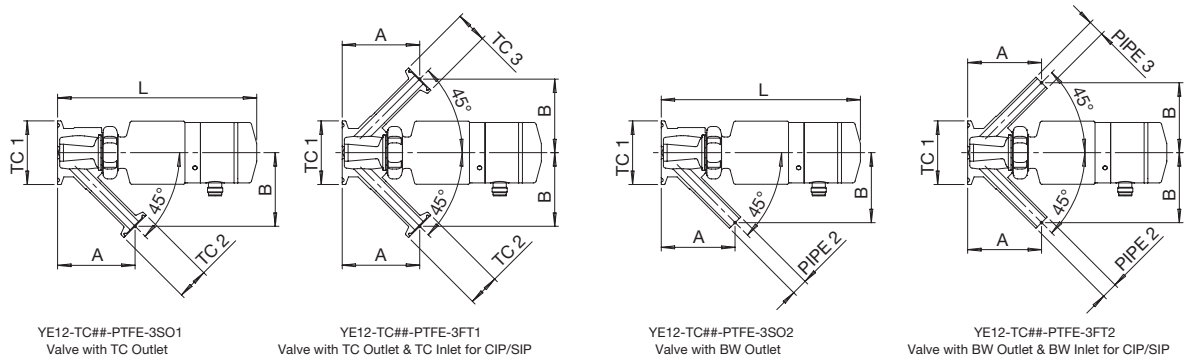


TECHNICAL INFORMATION _ **YE12-TC##-PTFE-3###**

TCS PNEUMATIC WITH SENSOR



YE12-TC##-PTFE-3### - TRI-CLAMP EXTENDED SAMPLING VALVES WITH PNEUMATIC ACTUATORS, PROGRAMMABLE DOUBLE POSITION SENSORS AND DIAPHRAGMS are designed to take sample of fluids from the tank for most stringent applications such as bioreactors, fermenters and preparation tanks. The body shape and their internal design offer a very reliable component for Aseptic Processing Applications. They have a simple and safe design, with full drainability up to 5° of inclined installation, without asymptotic seals and dead legs, offering fast cleanability and sterilization practices. They are designed to fulfill the most stringent demands of CIP-SIP and production activities in Aseptic Processing. Equipped with PTFE diaphragms acc. to USP Class VI-121°C, Pneumatic Actuators and Programmable Double Position Sensors made from stainless steel. Tri-Clamp Extended Sampling Valves (TCS) are available for connections from 1" up to 3" in 2 different designs (Shut-Off and Flow-Through) and 2 different outlet configurations (1/2" Tri-Clamp and Butt-Weld). Adding upstream satellite valves (Steam, Water, Nitrogen, Air, etc...) and downstream additional valves (CIP Drain, SIP Condensate, etc...), a clean and sterile sampling can be achieved avoiding cross-contamination risk.

CODE	CAD Size	TC1 mm	TC2 mm	PIPE2 mm	TC3 mm	PIPE3 mm	A mm	B mm	L mm	T C°	P bar
YE12-TC50-PTFE-3SO1	E12	50.00	25.00	-	-	-	61.50	58.50	158.00	-80 / 200	-1 / 6
YE12-TC50-PTFE-3SO2	E12	50.00	-	12.70x1.65	-	-	58.50	55.50	158.00	-80 / 200	-1 / 6
YE12-TC50-PTFE-3FT1	E12	50.00	25.00	-	25.00	-	61.50	58.50	158.00	-80 / 200	-1 / 6
YE12-TC50-PTFE-3FT2	E12	50.00	-	12.70x1.65	-	12.70x1.65	56.50	55.50	158.00	-80 / 200	-1 / 6
YE12-TC64-PTFE-3SO1	E12	64.00	25.00	-	-	-	61.50	58.50	158.00	-80 / 200	-1 / 6
YE12-TC64-PTFE-3SO2	E12	64.00	-	12.70x1.65	-	-	58.50	55.50	158.00	-80 / 200	-1 / 6
YE12-TC64-PTFE-3FT1	E12	64.00	25.00	-	25.00	-	61.50	58.50	158.00	-80 / 200	-1 / 6
YE12-TC64-PTFE-3FT2	E12	64.00	-	12.70x1.65	-	12.70x1.65	56.50	55.50	158.00	-80 / 200	-1 / 6
YE12-TC77-PTFE-3SO1	E12	77.50	25.00	-	-	-	61.50	58.50	158.00	-80 / 200	-1 / 6
YE12-TC77-PTFE-3SO2	E12	77.50	-	12.70x1.65	-	-	58.50	55.50	158.00	-80 / 200	-1 / 6
YE12-TC77-PTFE-3FT1	E12	77.50	25.00	-	25.00	-	61.50	58.50	158.00	-80 / 200	-1 / 6
YE12-TC77-PTFE-3FT2	E12	77.50	-	12.70x1.65	-	12.70x1.65	56.50	55.50	158.00	-80 / 200	-1 / 6
YE12-TC91-PTFE-3SO1	E12	91.00	25.00	-	-	-	61.50	58.50	158.00	-80 / 200	-1 / 6
YE12-TC91-PTFE-3SO2	E12	91.00	-	12.70x1.65	-	-	58.50	55.50	158.00	-80 / 200	-1 / 6
YE12-TC91-PTFE-3FT1	E12	91.00	25.00	-	25.00	-	61.50	58.50	158.00	-80 / 200	-1 / 6
YE12-TC91-PTFE-3FT2	E12	91.00	-	12.70x1.65	-	12.70x1.65	56.50	55.50	158.00	-80 / 200	-1 / 6

All dimensions are in mm - All data may change without prior notice

Body material: 1.4435-BN2 - Low Ferrite - Low Sulphur

Diaphragm material: PTFE USP Class VI – 121°C

Application Areas: SAFE

Surface Roughness: Internal surface (manually polished)
Ra ≤ 0.3µm (16µin)

External surface: Ra ≤ 0.8µm (32µin)

Surface Treatment: Manually polished (available also in EP version - Electropolishing after manual polishing)

Labeling: Each valve body is labeled for full LOT traceability

Packaging: Valve body is sealed in plastic bags and packaged in a closed box

Standard Documentation: Operating and Maintenance bulletin, Certificate of Conformity and Materials Certification 3.1

Quality Control: Quality Assurance System guarantees the control and traceability of the product.

Orders and Information: For additional information, drawings or place an order call your nearest distributor.

EXAMPLE OF VALVE ASSEMBLED ON CADCON CONNECTION

