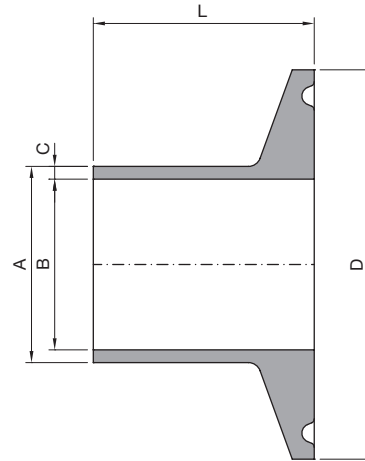


TECHNICAL INFORMATION _ CAT. N. YBPE-4A##-TC-#

TRI-CLAMP EXTENDED CONNECTION



Clean and Aseptic Valves of CAD Product Line have simple and safe design, with their full drainability, without asymptotic seal and dead leg, are offering fast cleanability and sterilization practices. They are designed to fulfil stringent demands of CIP-SIP and Production Cycles on Aseptic Processing.

Tri-Clamp Fittings Upgrade. Design according to ASME-BPE regulation. Machined in 1.4435-BN2.

CODE	CAD SIZE	TC SIZE	A mm (inch)	B mm (inch)	C mm (inch)	D mm (inch)	L mm (inch)
YBPE-4A25-TC-1	A25	1"	25,40 (1,00)	22,10 (0,87)	1,65 (0,065)	50,40 (1,98)	28,70 (1,13)
YBPE-4A25-TC-1-12.7							12,70 (0,50)
YBPE-4A25-TC-1-21.5							21,50 (0,85)
YBPE-4A25-TC-1-44.5							44,50 (1,75)
YBPE-4A38-TC-1	A38	1,1/2"	38,10 (1,50)	34,80 (1,37)	1,65 (0,065)	50,40 (1,98)	28,70 (1,13)
YBPE-4A38-TC-1-12.7							12,70 (0,50)
YBPE-4A38-TC-1-21.5							21,50 (0,85)
YBPE-4A38-TC-1-44.5							44,50 (1,75)
YBPE-4A50-TC-1	A50	2"	50,80 (2,00)	47,50 (1,87)	1,65 (0,065)	64,00 (2,52)	28,70 (1,13)
YBPE-4A50-TC-1-12.7							12,70 (0,50)
YBPE-4A50-TC-1-21.5							21,50 (0,85)
YBPE-4A50-TC-1-57.2							57,20 (2,25)

CODE	CAD SIZE	TC SIZE	A mm (inch)	B mm (inch)	C mm (inch)	D mm (inch)	L mm (inch)
YBPE-4A63-TC-1	A63	2,1/2"	63,50 (2,50)	60,20 (2,37)	1,65 (0,065)	77,50 (3,05)	28,70 (1,13)
YBPE-4A63-TC-1-12.7							12,70 (0,50)
YBPE-4A63-TC-1-21.5							21,50 (0,85)
YBPE-4A76-TC-1	A76	3"	76,20 (3,00)	72,90 (2,87)	1,65 (0,065)	91,00 (3,58)	28,70 (1,13)
YBPE-4A76-TC-1-12.7							12,70 (0,50)
YBPE-4A76-TC-1-21.5							21,50 (0,85)
YBPE-4A00-TC-1	A00	4"	101,60 (4,00)	97,39 (3,83)	2,11 (0,083)	91,00 (3,58)	28,70 (1,13)

Tri-Clamp design according to ASME BPE

Tri-Clamp material: 1.4435 - BN2