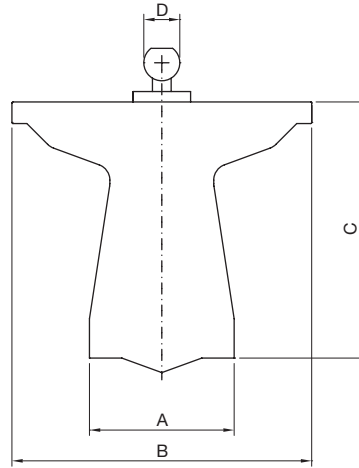


TECHNICAL INFORMATION \_ CAT. N. YDIA PTFE 0000 E##00

# PTFE EXTENDED DIAPHRAGM



Clean and Aseptic Valves of CAD Product Line have simple and safe design, with their full drainability, without asymptotic seal and dead leg, are offering fast cleanability and sterilization practices. They are designed to fulfil stringent demands of CIP-SIP and Production Cycles on Aseptic Processing.

**Extended PTFE Diaphragm** (Poly-Tetra-Fluor-Ethylene) manufactured from solid stock in accordance to FDA and USP Class VI - 121°C

CODE	CAD SIZE	A mm (inch)	B mm (inch)	C mm (inch)	D mm (inch)
YDIA-PTFE-0000-E1200	A12	13,40 (0,53)	28,00 (1,10)	33,00 (1,30)	5,00 (0,20)
YDIA-PTFE-0000-E1900	A19	20,00 (0,79)	41,50 (1,63)	62,00 (2,44)	5,00 (0,20)
YDIA-PTFE-0000-E2500	A25	30,00 (1,18)	58,50 (2,30)	68,50 (2,70)	8,00 (0,32)
YDIA-PTFE-0000-E3800	A38	45,00 (1,77)	72,50 (2,85)	97,50 (3,84)	10,00 (0,39)
YDIA-PTFE-0000-E5000	A50	63,50 (2,50)	93,50 (3,68)	105,50 (4,15)	12,00 (0,47)
YDIA-PTFE-0000-E6300	A63	71,00 (2,80)	109,00 (4,29)	123,50 (4,86)	12,00 (0,47)
YDIA-PTFE-0000-E7600	A76	85,00 (3,35)	126,00 (4,96)	131,50 (5,18)	12,00 (0,47)
YDIA-PTFE-0000-E0000	A00	109,00 (4,29)	155,50 (6,12)	162,50 (6,40)	12,00 (0,47)

**SPECIFICATION:**

<b>MATERIAL</b>	PTFE USP CLASS VI - 121° C
-----------------	----------------------------

**Design Temperature:** -80 to 200 °C (-112 to 392 °F)

**Application Areas:** SAFE

**Design Pressure:** -1 to 10 bar (-14.5 to 145 psi)

**Note:** The applied actuator and diaphragm may have different design temperature and/or pressure limits. The weakest component determines the maximum design temperature and pressure limits, when they are assembled.

**Labeling:** Each diaphragm is labeled for full LOT traceability

**Packaging:** Diaphragm is sealed in plastic bags and packaged in a closed box with Operating and Maintenance bulletin, Certificate of Conformity and Materials Certification

**Quality Control:** Quality Assurance System guarantees the control and traceability of the product.

**Rules Compliances:** CAD valve are on going to be classified for PED Directive 97/23/EC and fulfill ASME BPE Standards

**Orders and Information:** For additional information or to place a order call your nearest Distributor or visit [www.rattiinox.com](http://www.rattiinox.com)