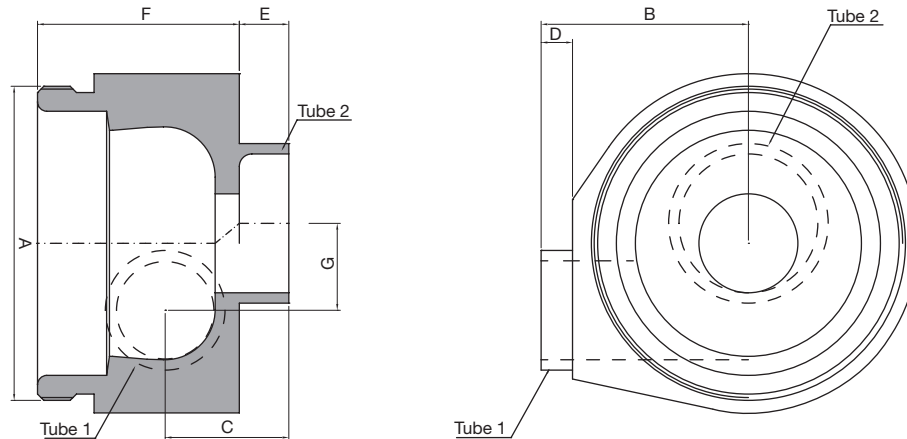


TECHNICAL INFORMATION \_ CAT. N. YPRO SALL 0000 A12##

# SHUT OFF 90 A12 VALVE BODY ECC. INLET - TANG. LEFT



Clean and Aseptic Valves of CAD Product Line have simple and safe design, with their full drainability, without asymptotic seal and dead leg, are offering fast cleanability and sterilization practices. They are designed to fulfil stringent demands of CIP-SIP and Production Cycles on Aseptic Processing.

**SARL - Shut Off Valves** for SAFE areas designed to intercept flow pattern when the valve body has to be connected on a bigger pipe size and reach the optimal drainability in the horizontal valve assembly with horizontal outlet, such as on the downstream CIP/SIP through tank bottom valve. Body shape and their internal design offer a very reliable component for Aseptic Processing Application. Standard version are short butt weld ends but, on demand, may be delivered for orbital welding or with Tri-Clamp connections.

CODE	A	B mm (inch)	C mm (inch)	D mm (inch)	E mm (inch)	F mm (inch)	G mm (inch)	TUBE 1 mm (inch)	TUBE 2 mm (inch)
YPRO-SALL-0000-A1219	M34x1	26,00 (1,02)	15,00 (0,59)	5,00 (0,20)	7,30 (0,29)	23,00 (0,91)	11,00 (0,43)	12,70x1,65 (0,50x0,065)	19,05x1,65 (0,75x0,065)
YPRO-SALL-0000-A1225	M34x1	26,00 (1,02)	15,00 (0,59)	5,00 (0,20)	7,30 (0,29)	23,00 (0,91)	14,00 (0,55)	12,70x1,65 (0,50x0,065)	25,40x1,65 (1,00x0,065)
YPRO-SALL-0000-A1238	M34x1	26,00 (1,02)	15,00 (0,59)	5,00 (0,20)	7,30 (0,29)	23,00 (0,91)	20,50 (0,81)	12,70x1,65 (0,50x0,065)	38,10x1,65 (1,50x0,065)

(\*) US Tube ASTM® A269/270 - ASME BPE

**SPECIFICATION:**

<b>CAD SIZE</b>	A1219	A1225	A1238				
-----------------	-------	-------	-------	--	--	--	--

<b>NET VOLUME<sup>(1)</sup></b>	ml	2,86	2,86	2,86			
---------------------------------	----	------	------	------	--	--	--

<sup>(1)</sup> Internal valve cavity only, with diaphragm on site

<b>MATERIAL</b>	1,4435-BN2 - Low Ferrite - Low Sulphur
-----------------	--

**Design Temperature:** -80 to 200 °C (-112 to 392 °F)

**Application Areas:** SAFE

**Design Pressure, Valve Body:** -1 to 10 bar (-14.5 to 145 psi)

**Note:** The applied actuator and diaphragm may have different design temperature and/or pressure limits. The weakest component determines the maximum design temperature and pressure limits, when they are assembled.

**Surface Roughness:** Internal surface (manually polished)  $Ra \leq 0.3\mu m$  (16 $\mu in$ )  
External surface  $Ra \leq 0.5\mu m$  (20 $\mu in$ )

**Surface Treatment:** Available also on EP version - Elettropolishing after manual polished

**Labeling:** Each valve body is labeled for full LOT traceability

**Packaging:** Valve body is sealed in plastic bags and packaged in a closed box with Operating and Maintenance bulletin, Certificate of Conformity and Materials Certification 3.1

**Quality Control:** Quality Assurance System guarantees the control and traceability of the product.

**Rules Compliances:** CAD valve are on going to be classified for PED Directive 2014/68/EU and fulfill ASME BPE Standards

**Standard design:** Shut Off bodies are available also to 180°, tangential outlet Left or Right

**Options:** For non-standard CAD Valve body Options, please contact us for further information.

**Orders and Information:** For additional information or to place a order call your nearest Distributor or visit [www.rattiinox.com](http://www.rattiinox.com)

Horizontal Assembly

