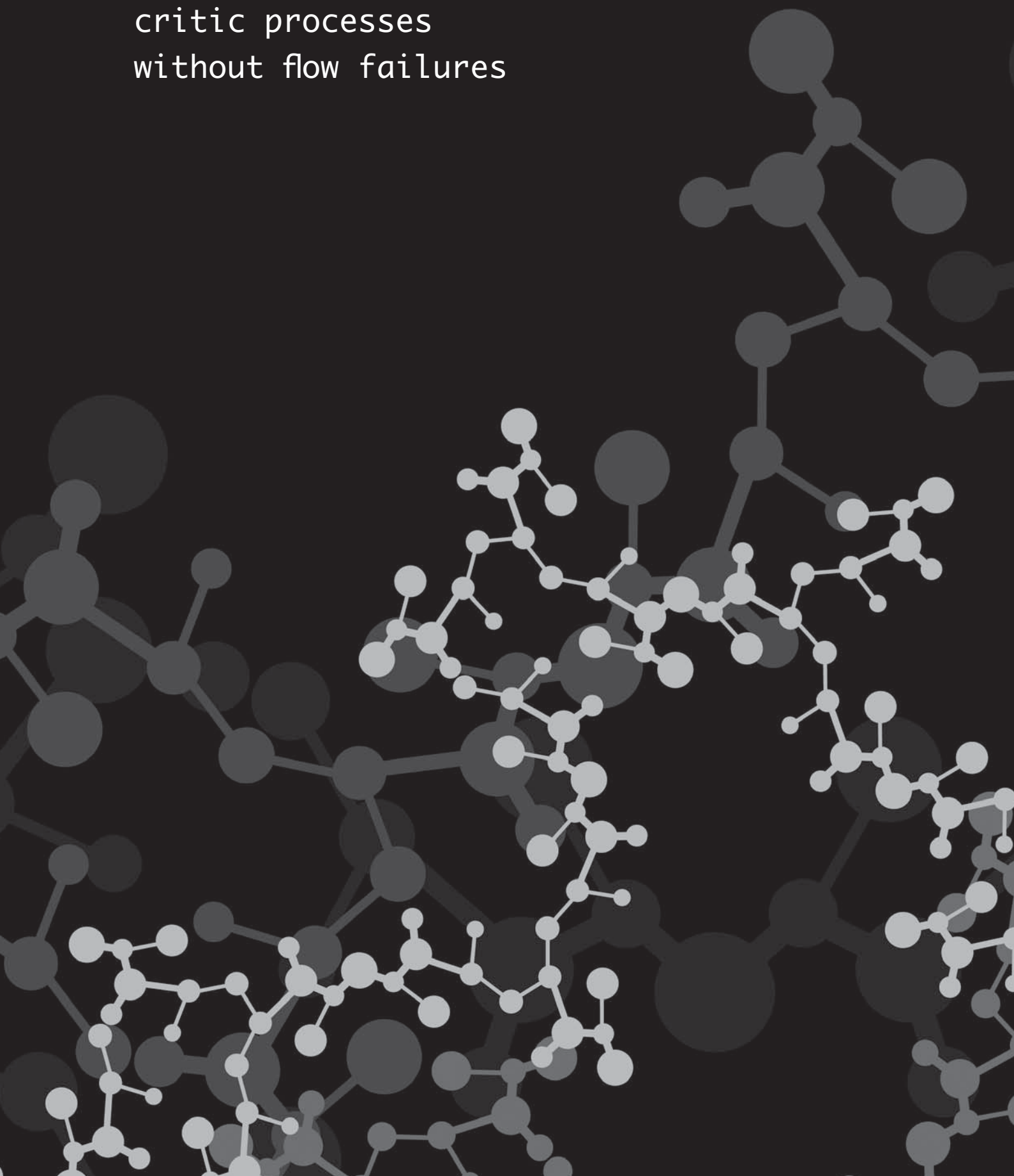


// Fittings and adaptors
are the ligand to make alive
critic processes
without flow failures



TRI-CLAMP FITTINGS



ART. 110
Tri-Clamp Ferrule
1.4435

P. 078



ART. 115
Tri-Clamp Ferrule
1.4404

P. 080



ART. 085
Mini Tri-Clamp

P. 084



ART. 120
Solid end Cap
1.4435

P. 085



ART. 125
Solid end Cap
1.4404

P. 086



ART. 030
Tri-Clamp Tee

P. 087



ART. 031
Tri-Clamp Elbow

P. 087



ART. 028
Hose Barb

P. 088



ART. 040
Tri-Clamp Reducer

P. 090



ART. 026
Tri-Clamp Male Adaptor

P. 094



ART. 027
Tri-Clamp Female Adaptor

P. 104



ART. 034
Double Pin Clamp

P. 114



ART. 039
Single Pin Clamp

P. 115



ART. 035
High Pressure Clamp

P. 115



ART. 097
Instrument Port

P. 116



ART. 036
Tri-Clamp Gaskets

P. 118

ART. 110

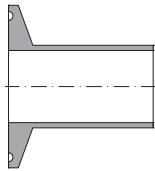
TRI-CLAMP FITTINGS



TRI-CLAMP FERRULE 1.4435

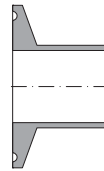
According to Table: DT-22
Sulfur: $\leq 0,017\%$

EXTRA LONG



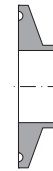
ART. 110/A
P. 078

LONG



ART. 110/B
P. 079

SHORT



ART. 110/C
P. 079

ART. 110/A Extra long ferrule

ASTM A270 Flange Design according to ASME-BPE

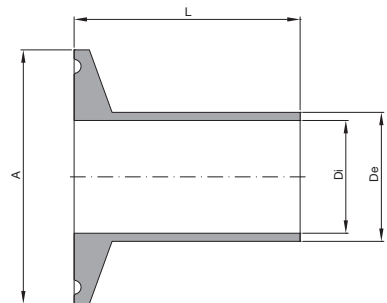
Size	A	Ø De	Ø Di	L	Material	Finishing	Code
1/4"	25,00	6,35	4,57	44,50	1.4435-BN2	SF-1	110A50025SF1
						SF-4	110A50025SF4
3/8"	25,00	9,53	7,75	44,50	1.4435-BN2	SF-1	110A50037SF1
						SF-4	110A50037SF4
1/2"	25,00	12,70	9,40	44,50	1.4435-BN2	SF-1	110A50050SF1
						SF-4	110A50050SF4
3/4"	25,00	19,05	15,75	44,50	1.4435-BN2	SF-1	110A50075SF1
						SF-4	110A50075SF4
1"	50,50	25,40	22,10	44,50	1.4435-BN2	SF-1	110A50100SF1
						SF-4	110A50100SF4
1.1/2"	50,50	38,10	34,80	44,50	1.4435-BN2	SF-1	110A50150SF1
						SF-4	110A50150SF4
2"	64,00	50,80	47,50	57,20	1.4435-BN2	SF-1	110A50200SF1
						SF-4	110A50200SF4
2.1/2"	77,40	63,50	60,20	57,20	1.4435-BN2	SF-1	110A50250SF1
						SF-4	110A50250SF4
3"	90,90	76,20	72,90	57,20	1.4435-BN2	SF-1	110A50300SF1
						SF-4	110A50300SF4
4"	118,90	101,60	97,39	57,20	1.4435-BN2	SF-1	110A50400SF1
						SF-4	110A50400SF4
6"	166,90	152,40	146,86	76,20	1.4435-BN2	SF-1	110A50600SF1
						SF-4	110A50600SF4

SF-1

Int. finishing: $Ra \leq 0,4 \mu\text{m}$ Machined Finish
Ext. finishing: $Ra \leq 0,8 \mu\text{m}$ Machined Finish

SF-4

Int. finishing: $Ra \leq 0,4 \mu\text{m}$ Electropolished
Ext. finishing: $Ra \leq 0,8 \mu\text{m}$ Electropolished



ART. 110/B Long ferrule

ASTM A270 Flange Design according to ASME-BPE

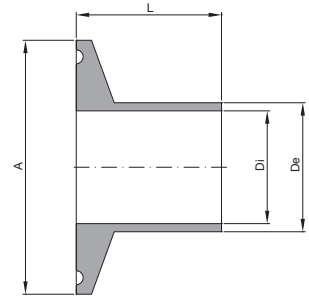
Size	A	Ø De	Ø Di	L	Material	Finishing	Code
1/4"	25,00	6,35	4,57	28,70	1.4435-BN2	SF-1	110B50025SF1
						SF-4	110B50025SF4
3/8"	25,00	9,53	7,75	28,70	1.4435-BN2	SF-1	110B50037SF1
						SF-4	110B50037SF4
1/2"	25,00	12,70	9,40	28,70	1.4435-BN2	SF-1	110B50050SF1
						SF-4	110B50050SF4
3/4"	25,00	19,05	15,75	28,70	1.4435-BN2	SF-1	110B50075SF1
						SF-4	110B50075SF4
1"	50,50	25,40	22,10	28,70	1.4435-BN2	SF-1	110B50100SF1
						SF-4	110B50100SF4
1.1/2"	50,50	38,10	34,80	28,70	1.4435-BN2	SF-1	110B50150SF1
						SF-4	110B50150SF4
2"	64,00	50,80	47,50	28,70	1.4435-BN2	SF-1	110B50200SF1
						SF-4	110B50200SF4
2.1/2"	77,40	63,50	60,20	28,70	1.4435-BN2	SF-1	110B50250SF1
						SF-4	110B50250SF4
3"	90,90	76,20	72,90	28,70	1.4435-BN2	SF-1	110B50300SF1
						SF-4	110B50300SF4
4"	118,90	101,60	97,39	28,70	1.4435-BN2	SF-1	110B50400SF1
						SF-4	110B50400SF4
6"	166,90	152,40	146,86	38,10	1.4435-BN2	SF-1	110B50600SF1
						SF-4	110B50600SF4

SF-1

Int. finishing: $Ra \leq 0,4 \mu\text{m}$ Machined Finish
 Ext. finishing: $Ra \leq 0,8 \mu\text{m}$ Machined Finish

SF-4

Int. finishing: $Ra \leq 0,4 \mu\text{m}$ Electropolished
 Ext. finishing: $Ra \leq 0,8 \mu\text{m}$ Electropolished

**ART. 110/C Short ferrule**

ASTM A270 Flange Design according to ASME-BPE

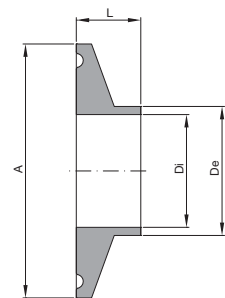
Size	A	Ø De	Ø Di	L	Material	Finishing	Code
1/4"	25,00	6,35	4,57	12,70	1.4435-BN2	SF-1	110C50025SF1
						SF-4	110C50025SF4
3/8"	25,00	9,53	7,75	12,70	1.4435-BN2	SF-1	110C50037SF1
						SF-4	110C50037SF4
1/2"	25,00	12,70	9,40	12,70	1.4435-BN2	SF-1	110C50050SF1
						SF-4	110C50050SF4
3/4"	25,00	19,05	15,75	12,70	1.4435-BN2	SF-1	110C50075SF1
						SF-4	110C50075SF4
1"	50,50	25,40	22,10	12,70	1.4435-BN2	SF-1	110C50100SF1
						SF-4	110C50100SF4
1.1/2"	50,50	38,10	34,80	12,70	1.4435-BN2	SF-1	110C50150SF1
						SF-4	110C50150SF4
2"	64,00	50,80	47,50	12,70	1.4435-BN2	SF-1	110C50200SF1
						SF-4	110C50200SF4
2.1/2"	77,40	63,50	60,20	12,70	1.4435-BN2	SF-1	110C50250SF1
						SF-4	110C50250SF4
3"	90,90	76,20	72,90	12,70	1.4435-BN2	SF-1	110C50300SF1
						SF-4	110C50300SF4
4"	118,90	101,60	97,39	15,90	1.4435-BN2	SF-1	110C50400SF1
						SF-4	110C50400SF4
6"	166,90	152,40	146,86	19,10	1.4435-BN2	SF-1	110C50600SF1
						SF-4	110C50600SF4

SF-1

Int. finishing: $Ra \leq 0,4 \mu\text{m}$ Machined Finish
 Ext. finishing: $Ra \leq 0,8 \mu\text{m}$ Machined Finish

SF-4

Int. finishing: $Ra \leq 0,4 \mu\text{m}$ Electropolished
 Ext. finishing: $Ra \leq 0,8 \mu\text{m}$ Electropolished



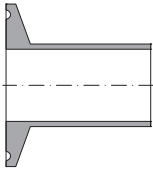
ART. **115**

TRI-CLAMP FITTINGS



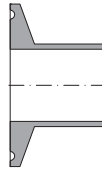
TRI-CLAMP FERRULE 1.4404

EXTRA LONG



ART. 115/A
P. 080

LONG



ART. 115/B
P. 081

SHORT



ART. 115/C
P. 081

MEDIUM



ART. 115/D
P. 082

ART. 115/A Extra long ferrule

ASTM A270 Flange Design according to ASME-BPE

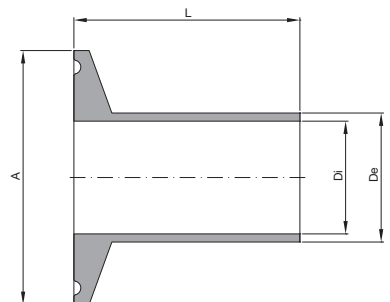
Size	A	Ø De	Ø Di	L	Material	Finishing	Code
1/2"	25,00	12,70	9,40	44,50	1.4404	SF-1	115A60050 SF1
						ML	115A60050 ML
3/4"	25,00	19,05	15,75	44,50	1.4404	SF-1	115A60075 SF1
						ML	115A60075 ML
1"	50,50	25,40	22,10	44,50	1.4404	SF-1	115A60100 SF1
						ML	115A60100 ML
1.1/2"	50,50	38,10	34,80	44,50	1.4404	SF-1	115A60150 SF1
						ML	115A60150 ML
2"	64,00	50,80	47,50	57,20	1.4404	SF-1	115A60200 SF1
						ML	115A60200 ML
2.1/2"	77,40	63,50	60,20	57,20	1.4404	SF-1	115A60250 SF1
						ML	115A60250 ML
3"	90,90	76,20	72,90	57,20	1.4404	SF-1	115A60300 SF1
						ML	115A60300 ML
4"	118,90	101,60	97,39	57,20	1.4404	SF-1	115A60400 SF1
						ML	115A60400 ML
6"	166,90	152,40	146,86	76,20	1.4404	SF-1	115A60600 SF1
						ML	115A60600 ML

SF-1

Int. finishing: $Ra \leq 0,4 \mu\text{m}$ Machined Finish
Ext. finishing: $Ra \leq 0,8 \mu\text{m}$ Machined Finish

ML

Int. finishing: $Ra \leq 0,4 \mu\text{m}$ Machined Finish
Ext. finishing: $Ra \leq 0,8 \mu\text{m}$ Mirror Polished



ART. 115/B Long ferrule

ASTM A270 Flange Design according to ASME-BPE

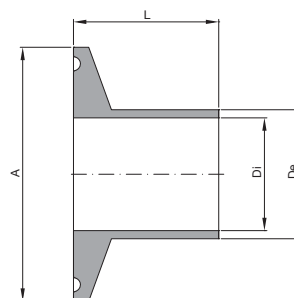
Size	A	Ø De	Ø Di	L	Material	Finishing	Code
1/2"	25,00	12,70	9,40	28,70	1.4404	SF-1	115B60050 SF1
						ML	115B60050 ML
3/4"	25,00	19,05	15,75	28,70	1.4404	SF-1	115B60075 SF1
						ML	115B60075 ML
1"	50,50	25,40	22,10	28,70	1.4404	SF-1	115B60100 SF1
						ML	115B60100 ML
1.1/2"	50,50	38,10	34,80	28,70	1.4404	SF-1	115B60150 SF1
						ML	115B60150 ML
2"	64,00	50,80	47,50	28,70	1.4404	SF-1	115B60200 SF1
						ML	115B60200 ML
2.1/2"	77,40	63,50	60,20	28,70	1.4404	SF-1	115B60250 SF1
						ML	115B60250 ML
3"	90,90	76,20	72,90	28,70	1.4404	SF-1	115B60300 SF1
						ML	115B60300 ML
4"	118,90	101,60	97,39	28,70	1.4404	SF-1	115B60400 SF1
						ML	115B60400 ML
6"	166,90	152,40	146,86	38,10	1.4404	SF-1	115B60600 SF1
						ML	115B60600 ML

SF-1

Int. finishing: $Ra \leq 0,4 \mu\text{m}$ Machined Finish
 Ext. finishing: $Ra \leq 0,8 \mu\text{m}$ Machined Finish

ML

Int. finishing: $Ra \leq 0,4 \mu\text{m}$ Machined Finish
 Ext. finishing: $Ra \leq 0,8 \mu\text{m}$ Mirror Polished

**ART. 115/C Short ferrule**

ASTM A270 Flange Design according to ASME-BPE

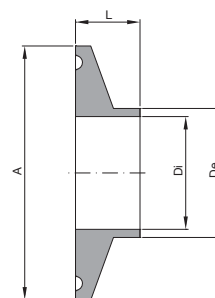
Size	A	Ø De	Ø Di	L	Material	Finishing	Code
1/2"	25,00	12,70	9,40	12,70	1.4404	SF-1	115C60050 SF1
						ML	115C60050 ML
3/4"	25,00	19,05	15,75	12,70	1.4404	SF-1	115C60075 SF1
						ML	115C60075 ML
1"	50,50	25,40	22,10	12,70	1.4404	SF-1	115C60100 SF1
						ML	115C60100 ML
1.1/2"	50,50	38,10	34,80	12,70	1.4404	SF-1	115C60150 SF1
						ML	115C60150 ML
2"	64,00	50,80	47,50	12,70	1.4404	SF-1	115C60200 SF1
						ML	115C60200 ML
2.1/2"	77,40	63,50	60,20	12,70	1.4404	SF-1	115C60250 SF1
						ML	115C60250 ML
3"	90,90	76,20	72,90	12,70	1.4404	SF-1	115C60300 SF1
						ML	115C60300 ML
4"	118,90	101,60	97,39	15,90	1.4404	SF-1	115C60400 SF1
						ML	115C60400 ML
6"	166,90	152,40	146,86	19,10	1.4404	SF-1	115C60600 SF1
						ML	115C60600 ML

SF-1

Int. finishing: $Ra \leq 0,4 \mu\text{m}$ Machined Finish
 Ext. finishing: $Ra \leq 0,8 \mu\text{m}$ Machined Finish

ML

Int. finishing: $Ra \leq 0,4 \mu\text{m}$ Machined Finish
 Ext. finishing: $Ra \leq 0,8 \mu\text{m}$ Mirror Polished



ART. 115/D Medium ferrule

ASTM A270 Flange Design according to ASME-BPE

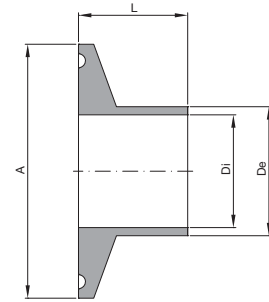
Size	A	Ø De	Ø Di	L	Material	Finishing	Code
1/2"	25,00	12,70	9,40	21,50	1.4404	SF-1	115D60050SF1
						ML	115D60050ML
3/4"	25,00	19,05	15,75	21,50	1.4404	SF-1	115D60075SF1
						ML	115D60075ML
1"	50,50	25,40	22,10	21,50	1.4404	SF-1	115D60100SF1
						ML	115D60100ML
1.1/2"	50,50	38,10	34,80	21,50	1.4404	SF-1	115D60150SF1
						ML	115D60150ML
2"	64,00	50,80	47,50	21,50	1.4404	SF-1	115D60200SF1
						ML	115D60200ML
2.1/2"	77,40	63,50	60,20	21,50	1.4404	SF-1	115D60250SF1
						ML	115D60250ML
3"	90,90	76,20	72,90	21,50	1.4404	SF-1	115D60300SF1
						ML	115D60300ML
4"	118,90	101,60	97,39	21,50	1.4404	SF-1	115D60400SF1
						ML	115D60400ML
6"	166,90	152,40	146,86	21,50	1.4404	SF-1	115D60600SF1
						ML	115D60600ML

SF-1

Int. finishing: $Ra \leq 0,4 \mu\text{m}$ Machined Finish
 Ext. finishing: $Ra \leq 0,8 \mu\text{m}$ Machined Finish

ML

Int. finishing: $Ra \leq 0,4 \mu\text{m}$ Machined Finish
 Ext. finishing: $Ra \leq 0,8 \mu\text{m}$ Mirror Polished

**ART. 115/D Medium ferrule**

DIN 32676 Tri-Clamp

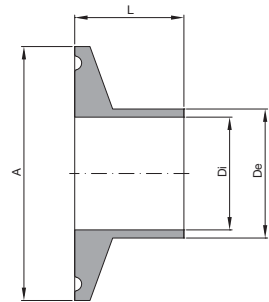
Size	A	Ø De	Ø Di	L	Material	Finishing	Code
DN 10	34,00	13,00	10,00	18,00	1.4404	SF-1	115D6D010SF1
						ML	115D6D010ML
DN 15	34,00	19,00	16,00	18,00	1.4404	SF-1	115D6D015SF1
						ML	115D6D015ML
DN 20	34,00	23,00	20,00	18,00	1.4404	SF-1	115D6D020SF1
						ML	115D6D020ML
DN 25	50,50	29,00	26,00	21,50	1.4404	SF-1	115D6D025SF1
						ML	115D6D025ML
DN 32	50,50	35,00	32,00	21,50	1.4404	SF-1	115D6D032SF1
						ML	115D6D032ML
DN 40	50,50	41,00	38,00	21,50	1.4404	SF-1	115D6D040SF1
						ML	115D6D040ML
DN 50	64,00	53,00	50,00	21,50	1.4404	SF-1	115D6D050SF1
						ML	115D6D050ML
DN 65	91,00	70,00	66,00	21,50	1.4404	SF-1	115D6D065SF1
						ML	115D6D065ML
DN 80	106,00	85,00	81,00	21,50	1.4404	SF-1	115D6D080SF1
						ML	115D6D080ML
DN 100	119,00	104,00	100,00	21,50	1.4404	SF-1	115D6D100SF1
						ML	115D6D100ML

SF-1

Int. finishing: $Ra \leq 0,4 \mu\text{m}$ Machined Finish
 Ext. finishing: $Ra \leq 0,8 \mu\text{m}$ Machined Finish

ML

Int. finishing: $Ra \leq 0,4 \mu\text{m}$ Machined Finish
 Ext. finishing: $Ra \leq 0,8 \mu\text{m}$ Mirror Polished



ART. 115/D Medium ferrule
 ISO 1127

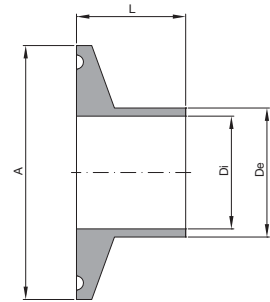
Size	A	Ø De	Ø Di	L	Material	Finishing	Code
DN 8	34,00	13,50	10,30	18,00	1.4404	SF-1	115D61008 SF1
						ML	115D61008 ML
DN 10	34,00	17,20	14,00	18,00	1.4404	SF-1	115D61010 SF1
						ML	115D61010 ML
DN 15	34,00	21,30	18,10	18,00	1.4404	SF-1	115D61015 SF1
						ML	115D61015 ML
DN 20	50,50	26,90	23,70	21,50	1.4404	SF-1	115D61020 SF1
						ML	115D61020 ML
DN 25	50,50	33,70	29,70	21,50	1.4404	SF-1	115D61025 SF1
						ML	115D61025 ML
DN 32	50,50	42,40	38,40	21,50	1.4404	SF-1	115D61032 SF1
						ML	115D61032 ML
DN 40	64,00	48,30	44,30	21,50	1.4404	SF-1	115D61040 SF1
						ML	115D61040 ML
DN 50	77,50	60,30	56,30	21,50	1.4404	SF-1	115D61050 SF1
						ML	115D61050 ML
DN 65	91,00	76,10	72,10	21,50	1.4404	SF-1	115D61065 SF1
						ML	115D61065 ML
DN 80	106,00	88,90	84,30	21,50	1.4404	SF-1	115D61080 SF1
						ML	115D61080 ML

SF-1

Int. finishing: **Ra ≤ 0,4 µm Machined Finish**
 Ext. finishing: **Ra ≤ 0,8 µm Machined Finish**

ML

Int. finishing: **Ra ≤ 0,4 µm Machined Finish**
 Ext. finishing: **Ra ≤ 0,8 µm Mirror Polished**

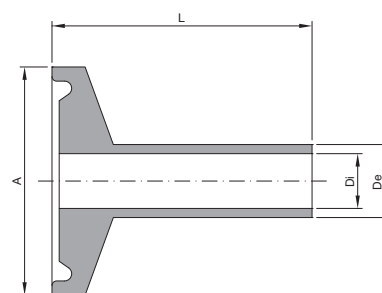




Flange Design according to ASME-BPE

Size	A	Ø De	Ø Di	L	Material	Finishing	Code
DN4	25,00	6,00	4,00	21,50	1.4404	SF-1	085Z6D004SF1
					1.4435-BN2	SF-1	085Z5D004SF1
DN6	25,00	8,00	6,00	21,50	1.4404	SF-1	085Z6D006SF1
					1.4435-BN2	SF-1	085Z5D006SF1
DN8	25,00	10,00	8,00	21,50	1.4404	SF-1	085Z6D008SF1
					1.4435-BN2	SF-1	085Z5D008SF1
DN10	25,00	12,00	10,00	21,50	1.4404	SF-1	085Z6D010SF1
					1.4435-BN2	SF-1	085Z5D010SF1
DN12	25,00	14,00	12,00	21,50	1.4404	SF-1	085Z6D012SF1
					1.4435-BN2	SF-1	085Z5D012SF1
DN14	25,00	16,00	14,00	21,50	1.4404	SF-1	085Z6D014SF1
					1.4435-BN2	SF-1	085Z5D014SF1
DN18	25,00	18,00	16,00	21,50	1.4404	SF-1	085Z6D018SF1
					1.4435-BN2	SF-1	085Z5D018SF1
1/4"	25,00	6,35	4,57	21,50	1.4404	SF-1	085Z60025SF1
					1.4435-BN2	SF-1	085Z50025SF1
3/8"	25,00	9,53	7,75	21,50	1.4404	SF-1	085Z60037SF1
					1.4435-BN2	SF-1	085Z50037SF1

SF-1

Int. finishing: $Ra \leq 0,4 \mu\text{m}$ Machined FinishExt. finishing: $Ra \leq 0,8 \mu\text{m}$ Machined Finish



Solid End Cap made on AISI 316L - 1.4435-BN2

A	L	ASTM A270	DIN 32676	ISO 1127	Material	Finishing	Code
25,00	6,00	1/2" - 3/4"	-	-	1.4435-BN2	SF-1	120Z50050SF1
						SF-4	120Z50050SF4
						LL	120Z50050LL
						LL-E	120Z50050LL-E
34,00	6,00	-	DN 10-15-20	DN 8-10-15	1.4435-BN2	SF-1	120Z5D010SF1
						SF-4	120Z5D010SF4
						LL	120Z5D010LL
						LL-E	120Z5D010LL-E
50,50	6,00	1" - 1.1/2"	DN 25-32-40	DN 20-25-32	1.4435-BN2	SF-1	120Z50100SF1
						SF-4	120Z50100SF4
						LL	120Z50100LL
						LL-E	120Z50100LL-E
64,00	7,00	2"	DN 50	DN 40	1.4435-BN2	SF-1	120Z50200SF1
						SF-4	120Z50200SF4
						LL	120Z50200LL
						LL-E	120Z50200LL-E
77,50	7,00	2.1/2"	-	DN 50	1.4435-BN2	SF-1	120Z50250SF1
						SF-4	120Z50250SF4
						LL	120Z50250LL
						LL-E	120Z50250LL-E
91,00	7,00	3"	DN 65	DN 65	1.4435-BN2	SF-1	120Z50300SF1
						SF-4	120Z50300SF4
						LL	120Z50300LL
						LL-E	120Z50300LL-E
106,00	6,35	-	DN 80	DN 80	1.4435-BN2	SF-1	120Z5D080SF1
						SF-4	120Z5D080SF4
						LL	120Z5D080LL
						LL-E	120Z5D080LL-E
119,00	7,90	4"	DN 100	-	1.4435-BN2	SF-1	120Z50400SF1
						SF-4	120Z50400SF4
						LL	120Z50400LL
						LL-E	120Z50400LL-E
130,00	10,00	-	-	DN 100	1.4435-BN2	SF-1	120Z5D100SF1
						SF-4	120Z5D100SF4
						LL	120Z5D100LL
						LL-E	120Z5D100LL-E
167,00	11,00	6"	-	-	1.4435-BN2	SF-1	120Z50600SF1
						SF-4	120Z50600SF4
						LL	120Z50600LL
						LL-E	120Z50600LL-E

SF-1

Int. finishing: $Ra \leq 0,4 \mu\text{m}$ Machined Finish
 Ext. finishing: $Ra \leq 0,8 \mu\text{m}$ Machined Finish

SF-4

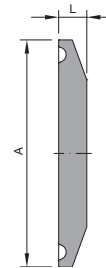
Int. Finishing: $Ra \leq 0,4 \mu\text{m}$ Machined Finish
 + Electropolishing
 Ext. Finishing: $Ra \leq 0,8 \mu\text{m}$ Machined Finish
 + Electropolishing

LL

Int. Finishing: $Ra \leq 0,4 \mu\text{m}$ Mirror Polished
 Ext. Finishing: $Ra \leq 0,8 \mu\text{m}$ Mirror Polished

LL-E

Int. Finishing: $Ra \leq 0,4 \mu\text{m}$ Mirror Polished
 + Electropolishing
 Ext. Finishing: $Ra \leq 0,8 \mu\text{m}$ Mirror Polished
 + Electropolishing





Solid End Cap made on AISI 316L - 1.4404

A	L	ASTM A270	DIN 32676	ISO 1127	Material	Finishing	Code
25,00	6,00	1/2" - 3/4"	-	-	1.4404	SF-1	125Z60050SF1
						SF-4	125Z60050SF4
						LL	125Z60050LL
						LL-E	125Z60050LL-E
34,00	6,00	-	DN 10-15-20	DN 8-10-15	1.4404	SF-1	125Z6D010SF1
						SF-4	125Z6D010SF4
						LL	125Z6D010LL
						LL-E	125Z6D010LL-E
50,50	6,00	1" - 1.1/2"	DN 25-32-40	DN 20-25-32	1.4404	SF-1	125Z60100SF1
						SF-4	125Z60100SF4
						LL	125Z60100LL
						LL-E	125Z60100LL-E
64,00	7,00	2"	DN 50	DN 40	1.4404	SF-1	125Z60200SF1
						SF-4	125Z60200SF4
						LL	125Z60200LL
						LL-E	125Z60200LL-E
77,50	7,00	2.1/2"	-	DN 50	1.4404	SF-1	125Z60250SF1
						SF-4	125Z60250SF4
						LL	125Z60250LL
						LL-E	125Z60250LL-E
91,00	7,00	3"	DN 65	DN 65	1.4404	SF-1	125Z60300SF1
						SF-4	125Z60300SF4
						LL	125Z60300LL
						LL-E	125Z60300LL-E
106,00	6,35	-	DN 80	DN 80	1.4404	SF-1	125Z6D080SF1
						SF-4	125Z6D080SF4
						LL	125Z6D080LL
						LL-E	125Z6D080LL-E
119,00	7,90	4"	DN 100	-	1.4404	SF-1	125Z60400SF1
						SF-4	125Z60400SF4
						LL	125Z60400LL
						LL-E	125Z60400LL-E
130,00	10,00	-	-	DN 100	1.4404	SF-1	125Z6D100SF1
						SF-4	125Z6D100SF4
						LL	125Z6D100LL
						LL-E	125Z6D100LL-E
167,00	11,00	6"	-	-	1.4404	SF-1	125Z60600SF1
						SF-4	125Z60600SF4
						LL	125Z60600LL
						LL-E	125Z60600LL-E

SF-1

Int. finishing: $Ra \leq 0,4 \mu\text{m}$ Machined Finish
 Ext. finishing: $Ra \leq 0,8 \mu\text{m}$ Machined Finish

SF-4

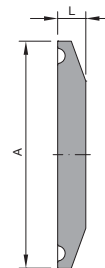
Int. Finishing: $Ra \leq 0,4 \mu\text{m}$ Machined Finish
 + Electropolishing
 Ext. Finishing: $Ra \leq 0,8 \mu\text{m}$ Machined Finish
 + Electropolishing

LL

Int. Finishing: $Ra \leq 0,4 \mu\text{m}$ Mirror Polished
 Ext. Finishing: $Ra \leq 0,8 \mu\text{m}$ Mirror Polished

LL-E

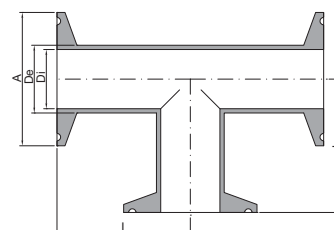
Int. Finishing: $Ra \leq 0,4 \mu\text{m}$ Mirror Polished
 + Electropolishing
 Ext. Finishing: $Ra \leq 0,8 \mu\text{m}$ Mirror Polished
 + Electropolishing



**ART. 030 Tri-Clamp Tee**

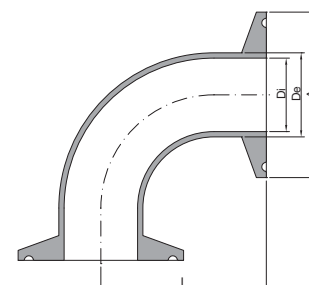
ASTM A270 Flange design according to ASME-BPE

Size	Ø A	Ø De	Ø Di	L	Material	Finishing	Code
1/2"	25,00	12,70	9,40	39,00	1.4404	ML	030C60050ML
1/2"	25,00	12,70	9,40	66,60	1.4404	ML	030Z60050ML
3/4"	25,00	19,05	15,75	48,00	1.4404	ML	030C60075ML
3/4"	25,00	19,05	15,75	66,60	1.4404	ML	030Z60075ML
1"	50,50	25,40	22,10	60,30	1.4404	ML	030Z60100ML
1.1/2"	50,50	38,10	34,80	69,90	1.4404	ML	030Z60150ML
2"	64,00	50,80	47,50	88,90	1.4404	ML	030Z60200ML
2.1/2"	77,40	63,50	60,20	88,90	1.4404	ML	030Z60250ML
3"	90,90	72,60	72,90	95,30	1.4404	ML	030Z60300ML
4"	118,90	101,60	97,39	114,30	1.4404	ML	030Z60400ML

MLInt. finishing: $Ra \leq 0,4 \mu\text{m}$ Machined FinishExt. finishing: $Ra \leq 0,8 \mu\text{m}$ Mirror Polished**ART. 031 Tri-Clamp Elbow**

ASTM A270 Flange design according to ASME-BPE

Size	Ø A	Ø De	Ø Di	L	Material	Finishing	Code
1/2"	25,00	12,70	9,40	39,00	1.4404	ML	031C60050ML
1/2"	25,00	12,70	9,40	88,80	1.4404	ML	031Z60050ML
3/4"	25,00	19,05	15,75	48,00	1.4404	ML	031C60075ML
3/4"	25,00	19,05	15,75	88,80	1.4404	ML	031Z60075ML
1"	50,50	25,40	22,10	50,80	1.4404	ML	031Z60100ML
1.1/2"	50,50	38,10	34,80	69,90	1.4404	ML	031Z60150ML
2"	64,00	50,80	47,50	88,90	1.4404	ML	031Z60200ML
2.1/2"	77,40	63,50	60,20	108,00	1.4404	ML	031Z60250ML
3"	90,90	72,60	72,90	127,00	1.4404	ML	031Z60300ML
4"	118,90	101,60	97,39	168,30	1.4404	ML	031Z60400ML

MLInt. finishing: $Ra \leq 0,4 \mu\text{m}$ Machined FinishExt. finishing: $Ra \leq 0,8 \mu\text{m}$ Mirror Polished



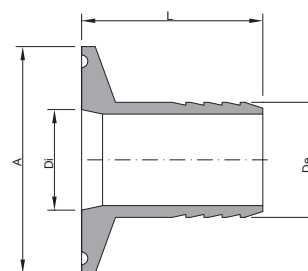
ASTM A270 Flange design according to ASME-BPE

Size	Ø A	Ø De	Ø Di	L	Material	Finishing	Code
1/2"	25,00	12,70	9,40	40,00	1.4404	ML	028A60050ML
3/4"	25,00	19,05	15,75	40,00	1.4404	ML	028A60075ML
1"	50,50	25,40	22,10	40,00	1.4404	ML	028A60100ML
1.1/2"	50,50	38,10	34,80	40,00	1.4404	ML	028A60150ML
2"	64,00	50,80	47,50	50,00	1.4404	ML	028A60200ML
2.1/2"	77,50	63,50	60,20	60,00	1.4404	ML	028A60250ML
3"	90,90	76,20	72,90	78,50	1.4404	ML	028A60300ML
4"	118,90	101,60	97,40	86,50	1.4404	ML	028A60400ML

ML

Int. finishing: $Ra \leq 0,4 \mu\text{m}$ Machined Finish

Ext. finishing: $Ra \leq 0,8 \mu\text{m}$ Mirror Polished



DIN 32676 Tri-Clamp

Size	Ø A	Ø De	Ø Di	L	Material	Finishing	Code
DN 10	34,00	13,00	10,00	40,00	1.4404	ML	028A6D010ML
DN 15	34,00	19,00	16,00	40,00	1.4404	ML	028A6D015ML
DN 20	34,00	23,00	20,00	40,00	1.4404	ML	028A6D020ML
DN 25	50,50	29,00	26,00	40,00	1.4404	ML	028A6D025ML
DN 32	50,50	35,00	47,50	40,00	1.4404	ML	028A6D032ML
DN 40	50,50	41,00	60,20	40,00	1.4404	ML	028A6D040ML

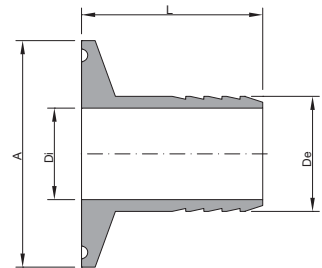
ISO 1127 Tri-Clamp

Size	Ø A	Ø De	Ø Di	L	Material	Finishing	Code
DN 8	34,00	13,50	10,30	40,00	1.4404	ML	028A6I008ML
DN 15	34,00	21,30	18,10	40,00	1.4404	ML	028A6I015ML
DN 20	50,50	26,90	23,70	40,00	1.4404	ML	028A6I020ML
DN 25	50,50	33,70	29,70	40,00	1.4404	ML	028A6I025ML
DN 32	50,50	42,40	38,40	40,00	1.4404	ML	028A6I032ML



ASTM A270 - Flange design according to ASME-BPE

Size	Ø A	Ø De	Ø Di	L	Material	Finishing	Code
1/2"	25,00	6,00	3,00	40,00	1.4404	ML	028B6005006ML
		8,00	5,00	40,00	1.4404	ML	028B6005008ML
		10,00	7,00	40,00	1.4404	ML	028B6005010ML
		12,00	9,50	40,00	1.4404	ML	028B6005012ML
		13,70	10,00	40,00	1.4404	ML	028B6005013ML
		14,00	11,00	40,00	1.4404	ML	028B6005014ML
		16,00	13,00	40,00	1.4404	ML	028B6005016ML
		18,00	15,00	40,00	1.4404	ML	028B6005018ML
		21,30	15,75	40,00	1.4404	ML	028B6005021ML
1"	50,50	6,00	3,00	40,00	1.4404	ML	028B6010006ML
		8,00	5,00	40,00	1.4404	ML	028B6010008ML
		10,00	7,00	40,00	1.4404	ML	028B6010010ML
		12,00	9,50	40,00	1.4404	ML	028B6010012ML
		13,70	10,00	40,00	1.4404	ML	028B6010013ML
		14,00	11,00	40,00	1.4404	ML	028B6010014ML
		16,00	13,00	40,00	1.4404	ML	028B6010016ML
		18,00	15,00	40,00	1.4404	ML	028B6010018ML
		21,30	18,00	40,00	1.4404	ML	028B6010021ML

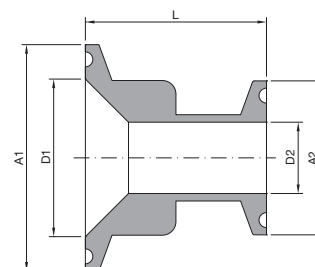
MLInt. finishing: $Ra \leq 0,4 \mu\text{m}$ Machined FinishExt. finishing: $Ra \leq 0,8 \mu\text{m}$ Mirror Polished



ASTM A270

Ø A1	Ø A2	Ø D1	Ø D2	L	Material	Code
3/4" (25,00)	ASTM A270 1/2" (25,00)	15,75	9,40	40,00	1.4404	040600750050ML
1" (50,50)	ASTM A270 1/2" (25,00)	22,10	9,40	40,00	1.4404	040601000050ML
	ASTM A270 3/4" (25,00)	22,10	15,75	40,00	1.4404	040601000075ML
	DIN DN10 (34,00)	22,10	10,00	40,00	1.4404	04060100D010ML
	DIN DN15 (34,00)	22,10	16,00	40,00	1.4404	04060100D015ML
	DIN DN20 (34,00)	22,10	20,00	40,00	1.4404	04060100D020ML
	ISO DN8 (34,00)	22,10	10,30	40,00	1.4404	04060100I008ML
	ISO DN10 (34,00)	22,10	14,00	40,00	1.4404	04060100I010ML
	ISO DN15 (34,00)	22,10	18,10	40,00	1.4404	04060100I015ML
1.1/2" (50,50)	ASTM A270 1/2" (25,00)	34,80	9,40	40,00	1.4404	040601500050ML
	ASTM A270 3/4" (25,00)	34,80	15,75	40,00	1.4404	040601500075ML
	ASTM A270 1" (50,50)	34,80	22,10	40,00	1.4404	040601500100ML
	DIN DN10 (34,00)	34,80	10,00	40,00	1.4404	04060150D010ML
	DIN DN15 (34,00)	34,80	16,00	40,00	1.4404	04060150D015ML
	DIN DN20 (34,00)	34,80	20,00	40,00	1.4404	04060150D020ML
	DIN DN25 (50,50)	34,80	26,00	40,00	1.4404	04060150D025ML
	DIN DN32 (50,50)	34,80	32,00	40,00	1.4404	04060150D032ML
	ISO DN8 (34,00)	34,80	10,30	40,00	1.4404	04060150I008ML
	ISO DN10 (34,00)	34,80	14,00	40,00	1.4404	04060150I010ML
	ISO DN15 (34,00)	34,80	18,10	40,00	1.4404	04060150I015ML
	ISO DN20 (50,50)	34,80	23,70	40,00	1.4404	04060150I020ML
	ISO DN25 (50,50)	34,80	29,70	40,00	1.4404	04060150I025ML
	2" (64,00)	ASTM A270 1/2" (25,00)	47,50	9,40	40,00	1.4404
ASTM A270 3/4" (25,00)		47,50	15,75	40,00	1.4404	040602000075ML
ASTM A270 1" (50,50)		47,50	22,10	40,00	1.4404	040602000100ML
ASTM A270 1.1/2" (50,50)		47,50	34,80	40,00	1.4404	040602000150ML
DIN DN10 (34,00)		47,50	10,00	40,00	1.4404	04060200D010ML
DIN DN15 (34,00)		47,50	16,00	40,00	1.4404	04060200D015ML
DIN DN20 (34,00)		47,50	20,00	40,00	1.4404	04060200D020ML
DIN DN25 (50,50)		47,50	26,00	40,00	1.4404	04060200D025ML
DIN DN32 (50,50)		47,50	32,00	40,00	1.4404	04060200D032ML
DIN DN40 (50,50)		47,50	38,00	40,00	1.4404	04060200D040ML
ISO DN8 (34,00)		47,50	10,30	40,00	1.4404	04060200I008ML
ISO DN10 (34,00)		47,50	14,00	40,00	1.4404	04060200I010ML
ISO DN15 (34,00)		47,50	18,10	40,00	1.4404	04060200I015ML
ISO DN20 (50,50)		47,50	23,70	40,00	1.4404	04060200I020ML
ISO DN25 (50,50)		47,50	29,70	40,00	1.4404	04060200I025ML
ISO DN32 (50,50)		47,50	38,40	40,00	1.4404	04060200I032ML
ISO DN40 (50,50)		47,50	44,30	40,00	1.4404	04060200I040ML

ML

Int. finishing: $Ra \leq 0,4 \mu\text{m}$ Machined FinishExt. finishing: $Ra \leq 0,8 \mu\text{m}$ Mirror Polished



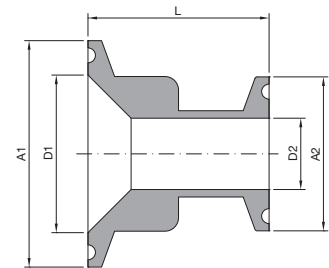
DIN 32676

Ø A1	Ø A2	Ø D1	Ø D2	L	Material	Code
DN15 (34,00)	DIN DN10 (34,00)	16,00	10,00	40,00	1.4404	0406D015D010ML
	ASTM A270 1/2" (25,00)	16,00	9,40	40,00	1.4404	0406D0150050ML
	ASTM A270 3/4" (25,00)	16,00	15,75	40,00	1.4404	0406D0150075ML
	ISO DN8 (34,00)	16,00	10,30	40,00	1.4404	0406D0151008ML
	ISO DN10 (34,00)	16,00	14,00	40,00	1.4404	0406D0151010ML
DN20 (34,00)	DIN DN10 (34,00)	20,00	10,00	40,00	1.4404	0406D020D010ML
	DIN DN15 (34,00)	20,00	16,00	40,00	1.4404	0406D020D015ML
	ASTM A270 1/2" (25,00)	20,00	9,40	40,00	1.4404	0406D0200050ML
	ASTM A270 3/4" (25,00)	20,00	15,75	40,00	1.4404	0406D0200075ML
	ISO DN8 (34,00)	20,00	10,30	40,00	1.4404	0406D0201008ML
	ISO DN10 (34,00)	20,00	14,00	40,00	1.4404	0406D0201010ML
DN25 (50,50)	ISO DN15 (34,00)	20,00	18,10	40,00	1.4404	0406D0201015ML
	DIN DN10 (34,00)	26,00	10,00	40,00	1.4404	0406D025D010ML
	DIN DN15 (34,00)	26,00	16,00	40,00	1.4404	0406D025D015ML
	DIN DN20 (34,00)	26,00	20,00	40,00	1.4404	0406D025D020ML
	ASTM A270 1/2" (25,00)	26,00	9,40	40,00	1.4404	0406D0250050ML
	ASTM A270 3/4" (25,00)	26,00	15,75	40,00	1.4404	0406D0250075ML
	ASTM A270 1" (50,50)	26,00	22,10	40,00	1.4404	0406D0250100ML
	ISO DN8 (34,00)	26,00	10,30	40,00	1.4404	0406D0251008ML
	ISO DN10 (34,00)	26,00	14,00	40,00	1.4404	0406D0251010ML
	ISO DN15 (34,00)	26,00	18,10	40,00	1.4404	0406D0251015ML
DN32 (50,50)	ISO DN20 (50,50)	26,00	23,70	40,00	1.4404	0406D0251020ML
	DIN DN10 (34,00)	32,00	10,00	40,00	1.4404	0406D032D010ML
	DIN DN15 (34,00)	32,00	16,00	40,00	1.4404	0406D032D015ML
	DIN DN20 (34,00)	32,00	20,00	40,00	1.4404	0406D032D020ML
	DIN DN25 (50,50)	32,00	26,00	40,00	1.4404	0406D032D025ML
	ASTM A270 1/2" (25,00)	32,00	9,40	40,00	1.4404	0406D0320050ML
	ASTM A270 3/4" (25,00)	32,00	15,75	40,00	1.4404	0406D0320075ML
	ASTM A270 1" (50,50)	32,00	22,10	40,00	1.4404	0406D0320100ML
	ISO DN8 (34,00)	32,00	10,30	40,00	1.4404	0406D0321008ML
	ISO DN10 (34,00)	32,00	14,00	40,00	1.4404	0406D0321010ML
	ISO DN15 (34,00)	32,00	18,10	40,00	1.4404	0406D0321015ML
	ISO DN20 (50,50)	32,00	23,70	40,00	1.4404	0406D0321020ML
	ISO DN25 (50,50)	32,00	29,70	40,00	1.4404	0406D0321025ML
DN40 (50,50)	DIN DN10 (34,00)	38,00	10,00	40,00	1.4404	0406D040D010ML
	DIN DN15 (34,00)	38,00	16,00	40,00	1.4404	0406D040D015ML
	DIN DN20 (34,00)	38,00	20,00	40,00	1.4404	0406D040D020ML
	DIN DN25 (50,50)	38,00	26,00	40,00	1.4404	0406D040D025ML
	DIN DN32 (50,50)	38,00	32,00	40,00	1.4404	0406D040D032ML
	ASTM A270 1/2" (25,00)	38,00	9,40	40,00	1.4404	0406D0400050ML
	ASTM A270 3/4" (25,00)	38,00	15,75	40,00	1.4404	0406D0400075ML
	ASTM A270 1" (50,50)	38,00	22,10	40,00	1.4404	0406D0400100ML
	ASTM A270 1.1/2" (50,50)	38,00	34,80	40,00	1.4404	0406D0400150ML
	ISO DN8 (34,00)	38,00	10,30	40,00	1.4404	0406D0401008ML
	ISO DN10 (34,00)	38,00	14,00	40,00	1.4404	0406D0401010ML
	ISO DN15 (34,00)	38,00	18,10	40,00	1.4404	0406D0401015ML
	ISO DN20 (50,50)	38,00	23,70	40,00	1.4404	0406D0401020ML
	ISO DN25 (50,50)	38,00	29,70	40,00	1.4404	0406D0401025ML

ML

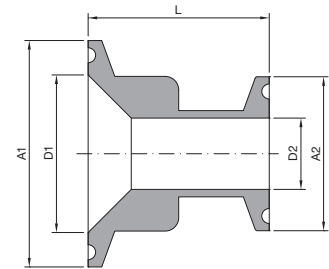
Int. finishing: Ra ≤ 0,4 µm Machined Finish

Ext. finishing: Ra ≤ 0,8 µm Mirror Polished



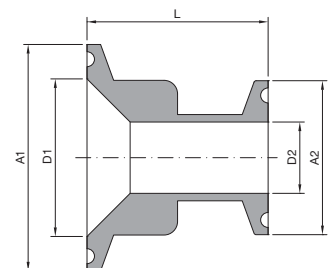
DIN 32676

Ø A1	Ø A2	Ø D1	Ø D2	L	Material	Code
DN50 (64,00)	DIN DN10 (34,00)	50,00	10,00	40,00	1.4404	0406D050D010ML
	DIN DN15 (34,00)	50,00	16,00	40,00	1.4404	0406D050D015ML
	DIN DN20 (34,00)	50,00	20,00	40,00	1.4404	0406D050D020ML
	DIN DN25 (50,50)	50,00	26,00	40,00	1.4404	0406D050D025ML
	DIN DN32 (50,50)	50,00	32,00	40,00	1.4404	0406D050D032ML
	DIN DN40 (50,50)	50,00	38,00	40,00	1.4404	0406D050D040ML
	ASTM A270 1/2" (25,00)	50,00	9,40	40,00	1.4404	0406D0500050ML
	ASTM A270 3/4" (25,00)	50,00	15,75	40,00	1.4404	0406D0500075ML
	ASTM A270 1" (50,50)	50,00	22,10	40,00	1.4404	0406D0500100ML
	ASTM A270 1.1/2" (50,50)	50,00	34,80	40,00	1.4404	0406D0500150ML
	ASTM A270 2" (64,00)	50,00	47,50	40,00	1.4404	0406D0500200ML
	ISO DN8 (34,00)	50,00	10,30	40,00	1.4404	0406D0501008ML
	ISO DN10 (34,00)	50,00	14,00	40,00	1.4404	0406D0501010ML
	ISO DN15 (34,00)	50,00	18,10	40,00	1.4404	0406D0501015ML
	ISO DN20 (50,50)	50,00	23,70	40,00	1.4404	0406D0501020ML
	ISO DN25 (50,50)	50,00	29,70	40,00	1.4404	0406D0501025ML
	ISO DN32 (50,50)	50,00	38,40	40,00	1.4404	0406D0501032ML
	ISO DN40 (50,50)	50,00	44,30	40,00	1.4404	0406D0501040ML



ISO 1127

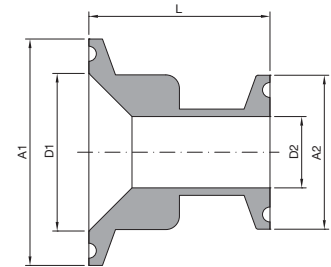
Ø A1	Ø A2	Ø D1	Ø D2	L	Material	Code
DN10 (34,00)	ISO DN8 (34,00)	14,00	10,30	40,00	1.4404	0406I0101008ML
	ASTM A270 1/2" (25,00)	14,00	9,40	40,00	1.4404	0406I0100050ML
	ASTM A270 3/4" (25,00)	14,00	15,75	40,00	1.4404	0406I0100075ML
	DIN DN10 (34,00)	14,00	10,00	40,00	1.4404	0406I010D010ML
DN15 (34,00)	ISO DN8 (34,00)	18,10	10,30	40,00	1.4404	0406I0151008ML
	ISO DN10 (34,00)	18,10	14,00	40,00	1.4404	0406I0151010ML
	ASTM A270 1/2" (25,00)	18,10	9,40	40,00	1.4404	0406I0150050ML
	ASTM A270 3/4" (25,00)	18,10	15,75	40,00	1.4404	0406I0150075ML
	DIN DN10 (34,00)	18,10	10,00	40,00	1.4404	0406I015D010ML
	DIN DN15 (34,00)	18,10	16,00	40,00	1.4404	0406I015D015ML
DN20 (50,50)	ISO DN8 (34,00)	23,70	10,30	40,00	1.4404	0406I0201008ML
	ISO DN10 (34,00)	23,70	14,00	40,00	1.4404	0406I0201010ML
	ISO DN15 (34,00)	23,70	18,10	40,00	1.4404	0406I0201015ML
	ASTM A270 1/2" (25,00)	23,70	9,40	40,00	1.4404	0406I0200050ML
	ASTM A270 3/4" (25,00)	23,70	15,75	40,00	1.4404	0406I0200075ML
	ASTM A270 1" (50,50)	23,70	22,10	40,00	1.4404	0406I0200100ML
	DIN DN10 (34,00)	23,70	10,00	40,00	1.4404	0406I020D010ML
	DIN DN15 (34,00)	23,70	16,00	40,00	1.4404	0406I020D015ML
	DIN DN20 (34,00)	23,70	20,00	40,00	1.4404	0406I020D020ML





ISO 1127

Ø A1	Ø A2	Ø D1	Ø D2	L	Material	Code
DN25 (50,50)	ISO DN8 (34,00)	29,70	10,30	40,00	1.4404	0406I025I008ML
	ISO DN10 (34,00)	29,70	14,00	40,00	1.4404	0406I025I010ML
	ISO DN15 (34,00)	29,70	18,10	40,00	1.4404	0406I025I015ML
	ISO DN20 (50,50)	29,70	23,70	40,00	1.4404	0406I025I020ML
	ASTM A270 1/2" (25,00)	29,70	9,40	40,00	1.4404	0406I0250050ML
	ASTM A270 3/4" (25,00)	29,70	15,75	40,00	1.4404	0406I0250075ML
	ASTM A270 1" (50,50)	29,70	22,10	40,00	1.4404	0406I0250100ML
	DIN DN10 (34,00)	29,70	10,00	40,00	1.4404	0406I025D010ML
	DIN DN15 (34,00)	29,70	16,00	40,00	1.4404	0406I025D015ML
	DIN DN20 (34,00)	29,70	20,00	40,00	1.4404	0406I025D020ML
DIN DN25 (50,50)	29,70	26,00	40,00	1.4404	0406I025D025ML	
DN32 (50,50)	ISO DN8 (34,00)	38,40	10,30	40,00	1.4404	0406I032I008ML
	ISO DN10 (34,00)	38,40	14,00	40,00	1.4404	0406I032I010ML
	ISO DN15 (34,00)	38,40	18,10	40,00	1.4404	0406I032I015ML
	ISO DN20 (50,50)	38,40	23,70	40,00	1.4404	0406I032I020ML
	ISO DN25 (50,50)	38,40	29,70	40,00	1.4404	0406I032I025ML
	ASTM A270 1/2" (25,00)	38,40	9,40	40,00	1.4404	0406I0320050ML
	ASTM A270 3/4" (25,00)	38,40	15,75	40,00	1.4404	0406I0320075ML
	ASTM A270 1" (50,50)	38,40	22,10	40,00	1.4404	0406I0320100ML
	ASTM A270 1.1/2" (50,50)	38,40	34,80	40,00	1.4404	0406I0320150ML
	DIN DN10 (34,00)	38,40	10,00	40,00	1.4404	0406I032D010ML
	DIN DN15 (34,00)	38,40	16,00	40,00	1.4404	0406I032D015ML
	DIN DN20 (34,00)	38,40	20,00	40,00	1.4404	0406I032D020ML
	DIN DN25 (50,50)	38,40	26,00	40,00	1.4404	0406I032D025ML
DIN DN32 (50,50)	38,40	32,00	40,00	1.4404	0406I032D032ML	
DN40 (64,00)	ISO DN8 (34,00)	44,30	10,30	40,00	1.4404	0406I040I008ML
	ISO DN10 (34,00)	44,30	14,00	40,00	1.4404	0406I040I010ML
	ISO DN15 (34,00)	44,30	18,10	40,00	1.4404	0406I040I015ML
	ISO DN20 (50,50)	44,30	23,70	40,00	1.4404	0406I040I020ML
	ISO DN25 (50,50)	44,30	29,70	40,00	1.4404	0406I040I025ML
	ISO DN32 (50,50)	44,30	38,40	40,00	1.4404	0406I040I032ML
	ASTM A270 1/2" (25,00)	44,30	9,40	40,00	1.4404	0406I0400050ML
	ASTM A270 3/4" (25,00)	44,30	15,75	40,00	1.4404	0406I0400075ML
	ASTM A270 1" (50,50)	44,30	22,10	40,00	1.4404	0406I0400100ML
	ASTM A270 1.1/2" (50,50)	44,30	34,80	40,00	1.4404	0406I0400150ML
	DIN DN10 (34,00)	44,30	10,00	40,00	1.4404	0406I040D010ML
	DIN DN15 (34,00)	44,30	16,00	40,00	1.4404	0406I040D015ML
	DIN DN20 (34,00)	44,30	20,00	40,00	1.4404	0406I040D020ML
	DIN DN25 (50,50)	44,30	26,00	40,00	1.4404	0406I040D025ML
	DIN DN32 (50,50)	44,30	32,00	40,00	1.4404	0406I040D032ML
	DIN DN40 (50,50)	44,30	38,00	40,00	1.4404	0406I040D040ML



026

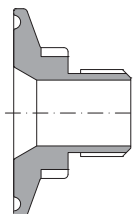
ART.

TRI-CLAMP FITTINGS



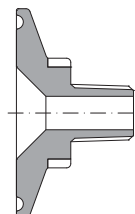
TRI-CLAMP MALE ADAPTOR

BSPP MALE THREADED



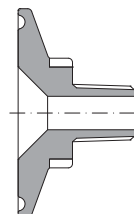
ART. 026/A
P. 095

BSPT MALE THREADED



ART. 026/B
P. 098

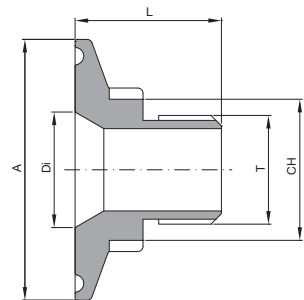
NPT MALE THREADED



ART. 026/C
P. 101

ASTM A270 Flange design According to ASME-BPE

Size	T	Ø A	Ø Di	CH	L	Material	Code
1/2"	1/8"	25,00	9,40	22,00	28,00	1.4404	026A600500012ML
	1/4"	25,00	9,40	22,00	28,00	1.4404	026A600500025ML
	3/8"	25,00	9,40	22,00	30,00	1.4404	026A600500037ML
	1/2"	25,00	9,40	22,00	35,00	1.4404	026A600500050ML
	3/4"	25,00	9,40	32,00	40,00	1.4404	026A600500075ML
	1"	25,00	9,40	36,00	40,00	1.4404	026A600500100ML
3/4"	1/8"	25,00	15,75	22,00	28,00	1.4404	026A600750012ML
	1/4"	25,00	15,75	22,00	28,00	1.4404	026A600750025ML
	3/8"	25,00	15,75	22,00	30,00	1.4404	026A600750037ML
	1/2"	25,00	15,75	22,00	35,00	1.4404	026A600750050ML
	3/4"	25,00	15,75	32,00	40,00	1.4404	026A600750075ML
	1"	25,00	15,75	36,00	40,00	1.4404	026A600750100ML
1"	1/8"	50,50	22,10	22,00	28,00	1.4404	026A601000012ML
	1/4"	50,50	22,10	22,00	28,00	1.4404	026A601000025ML
	3/8"	50,50	22,10	24,00	28,00	1.4404	026A601000037ML
	1/2"	50,50	22,10	27,00	28,00	1.4404	026A601000050ML
	3/4"	50,50	22,10	32,00	28,00	1.4404	026A601000075ML
	1"	50,50	22,10	36,00	28,00	1.4404	026A601000100ML
1.1/2"	1/8"	50,50	34,80	22,00	28,00	1.4404	026A601500012ML
	1/4"	50,50	34,80	22,00	28,00	1.4404	026A601500025ML
	3/8"	50,50	34,80	24,00	28,00	1.4404	026A601500037ML
	1/2"	50,50	34,80	27,00	28,00	1.4404	026A601500050ML
	3/4"	50,50	34,80	32,00	28,00	1.4404	026A601500075ML
	1"	50,50	34,80	36,00	28,00	1.4404	026A601500100ML
	1.1/4"	50,50	34,80	46,00	45,00	1.4404	026A601500125ML
	1.1/2"	50,50	34,80	46,00	45,00	1.4404	026A601500150ML
2"	1/8"	64,00	47,50	22,00	32,00	1.4404	026A602000012ML
	1/4"	64,00	47,50	22,00	32,00	1.4404	026A602000025ML
	3/8"	64,00	47,50	24,00	32,00	1.4404	026A602000037ML
	1/2"	64,00	47,50	27,00	32,00	1.4404	026A602000050ML
	3/4"	64,00	47,50	32,00	32,00	1.4404	026A602000075ML
	1"	64,00	47,50	41,00	32,00	1.4404	026A602000100ML
	1.1/4"	64,00	47,50	50,00	40,00	1.4404	026A602000125ML
	1.1/2"	64,00	47,50	54,00	40,00	1.4404	026A602000150ML
2"	64,00	47,50	65,00	40,00	1.4404	026A602000200ML	
2.1/2"	1.1/4"	77,40	60,20	50,00	37,00	1.4404	026A602500125ML
	1.1/2"	77,40	60,20	54,00	37,00	1.4404	026A602500150ML
	2"	77,40	60,20	65,00	47,00	1.4404	026A602500200ML
	2.1/2"	77,40	60,20	84,00	62,00	1.4404	026A602500250ML
3"	2"	90,90	72,90	65,00	47,00	1.4404	026A603000200ML
	2.1/2"	90,90	72,90	84,00	62,00	1.4404	026A603000250ML
	3"	90,90	72,90	95,00	75,00	1.4404	026A603000300ML
4"	2.1/2"	118,90	97,40	84,00	55,00	1.4404	026A604000250ML
	3"	118,90	97,40	95,00	70,00	1.4404	026A604000300ML
	4"	118,90	97,40	114,00	70,00	1.4404	026A604000400ML

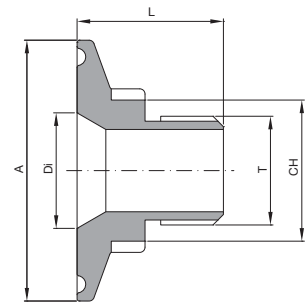
**ML**Int. finishing: **Ra ≤ 0,4 µm Machined Finish**Ext. finishing: **Ra ≤ 0,8 µm Mirror Polished**

DIN 32676

Size	T	Ø A	Ø Di	CH	L	Material	Code
DN 10	1/8"	34,00	10,00	19,00	28,00	1.4404	026A6D0100012ML
	1/4"	34,00	10,00	19,00	28,00	1.4404	026A6D0100025ML
	3/8"	34,00	10,00	30,00	40,00	1.4404	026A6D0100037ML
	1/2"	34,00	10,00	30,00	40,00	1.4404	026A6D0100050ML
	3/4"	34,00	10,00	30,00	40,00	1.4404	026A6D0100075ML
	1"	34,00	10,00	36,00	40,00	1.4404	026A6D0100100ML
DN 15	1/8"	34,00	16,00	19,00	28,00	1.4404	026A6D0150012ML
	1/4"	34,00	16,00	19,00	28,00	1.4404	026A6D0150025ML
	3/8"	34,00	16,00	30,00	40,00	1.4404	026A6D0150037ML
	1/2"	34,00	16,00	30,00	40,00	1.4404	026A6D0150050ML
	3/4"	34,00	16,00	30,00	40,00	1.4404	026A6D0150075ML
	1"	34,00	16,00	36,00	40,00	1.4404	026A6D0150100ML
DN 20	1/8"	34,00	20,00	19,00	28,00	1.4404	026A6D0200012ML
	1/4"	34,00	20,00	19,00	28,00	1.4404	026A6D0200025ML
	3/8"	34,00	20,00	30,00	40,00	1.4404	026A6D0200037ML
	1/2"	34,00	20,00	30,00	40,00	1.4404	026A6D0200050ML
	3/4"	34,00	20,00	30,00	40,00	1.4404	026A6D0200075ML
	1"	34,00	20,00	36,00	40,00	1.4404	026A6D0200100ML
DN 25	1/8"	50,50	26,00	22,00	28,00	1.4404	026A6D0250012ML
	1/4"	50,50	26,00	22,00	28,00	1.4404	026A6D0250025ML
	3/8"	50,50	26,00	24,00	28,00	1.4404	026A6D0250037ML
	1/2"	50,50	26,00	27,00	28,00	1.4404	026A6D0250050ML
	3/4"	50,50	26,00	32,00	28,00	1.4404	026A6D0250075ML
	1"	50,50	26,00	36,00	28,00	1.4404	026A6D0250100ML
DN 32	1/8"	50,50	32,00	22,00	28,00	1.4404	026A6D0320012ML
	1/4"	50,50	32,00	22,00	28,00	1.4404	026A6D0320025ML
	3/8"	50,50	32,00	24,00	28,00	1.4404	026A6D0320037ML
	1/2"	50,50	32,00	27,00	28,00	1.4404	026A6D0320050ML
	3/4"	50,50	32,00	32,00	28,00	1.4404	026A6D0320075ML
	1"	50,50	32,00	36,00	28,00	1.4404	026A6D0320100ML
	1.1/4"	50,50	32,00	46,00	45,00	1.4404	026A6D0320125ML
	1.1/2"	50,50	32,00	46,00	45,00	1.4404	026A6D0320150ML
	1.1/2"	50,50	32,00	46,00	45,00	1.4404	026A6D0320150ML
DN 40	1/8"	50,50	38,00	22,00	28,00	1.4404	026A6D0400012ML
	1/4"	50,50	38,00	22,00	28,00	1.4404	026A6D0400025ML
	3/8"	50,50	38,00	24,00	28,00	1.4404	026A6D0400037ML
	1/2"	50,50	38,00	27,00	28,00	1.4404	026A6D0400050ML
	3/4"	50,50	38,00	32,00	28,00	1.4404	026A6D0400075ML
	1"	50,50	38,00	36,00	28,00	1.4404	026A6D0400100ML
	1.1/4"	50,50	38,00	46,00	45,00	1.4404	026A6D0400125ML
	1.1/2"	50,50	38,00	46,00	45,00	1.4404	026A6D0400150ML
	1.1/2"	50,50	38,00	46,00	45,00	1.4404	026A6D0400150ML
DN 50	1/8"	64,00	50,00	22,00	32,00	1.4404	026A6D0500012ML
	1/4"	64,00	50,00	22,00	32,00	1.4404	026A6D0500025ML
	3/8"	64,00	50,00	24,00	32,00	1.4404	026A6D0500037ML
	1/2"	64,00	50,00	27,00	32,00	1.4404	026A6D0500050ML
	3/4"	64,00	50,00	32,00	32,00	1.4404	026A6D0500075ML
	1"	64,00	50,00	41,00	32,00	1.4404	026A6D0500100ML
	1.1/4"	64,00	50,00	50,00	40,00	1.4404	026A6D0500125ML
	1.1/2"	64,00	50,00	54,00	40,00	1.4404	026A6D0500150ML
	1.1/2"	64,00	50,00	54,00	40,00	1.4404	026A6D0500150ML
2"	64,00	50,00	65,00	40,00	1.4404	026A6D0500200ML	

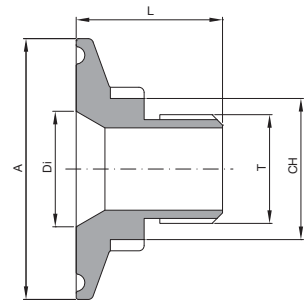
**ML**

Int. finishing: $Ra \leq 0,4 \mu\text{m}$ Machined Finish
 Ext. finishing: $Ra \leq 0,8 \mu\text{m}$ Mirror Polished



ISO 1127

Size	T	Ø A	Ø Di	CH	L	Material	Code
DN 8	1/8"	34,00	10,30	19,00	28,00	1.4404	026A6I0080012ML
	1/4"	34,00	10,30	19,00	28,00	1.4404	026A6I0080025ML
	3/8"	34,00	10,30	30,00	40,00	1.4404	026A6I0080037ML
	1/2"	34,00	10,30	30,00	40,00	1.4404	026A6I0080050ML
	3/4"	34,00	10,30	30,00	40,00	1.4404	026A6I0080075ML
	1"	34,00	10,30	36,00	40,00	1.4404	026A6I0080100ML
DN 10	1/8"	34,00	14,00	19,00	28,00	1.4404	026A6I0100012ML
	1/4"	34,00	14,00	19,00	28,00	1.4404	026A6I0100025ML
	3/8"	34,00	14,00	30,00	40,00	1.4404	026A6I0100037ML
	1/2"	34,00	14,00	30,00	40,00	1.4404	026A6I0100050ML
	3/4"	34,00	14,00	30,00	40,00	1.4404	026A6I0100075ML
	1"	34,00	14,00	36,00	40,00	1.4404	026A6I0100100ML
DN 15	1/8"	34,00	18,10	19,00	28,00	1.4404	026A6I0150012ML
	1/4"	34,00	18,10	19,00	28,00	1.4404	026A6I0150025ML
	3/8"	34,00	18,10	30,00	40,00	1.4404	026A6I0150037ML
	1/2"	34,00	18,10	30,00	40,00	1.4404	026A6I0150050ML
	3/4"	34,00	18,10	30,00	40,00	1.4404	026A6I0150075ML
	1"	34,00	18,10	36,00	40,00	1.4404	026A6I0150100ML
DN 20	1/8"	34,00	20,00	19,00	28,00	1.4404	026A6I0200012ML
	1/4"	34,00	20,00	19,00	28,00	1.4404	026A6I0200025ML
	3/8"	34,00	20,00	30,00	40,00	1.4404	026A6I0200037ML
	1/2"	34,00	20,00	30,00	40,00	1.4404	026A6I0200050ML
	3/4"	34,00	20,00	30,00	40,00	1.4404	026A6I0200075ML
	1"	34,00	20,00	36,00	40,00	1.4404	026A6I0200100ML
DN 25	1/8"	50,50	29,70	22,00	28,00	1.4404	026A6I0250012ML
	1/4"	50,50	29,70	22,00	28,00	1.4404	026A6I0250025ML
	3/8"	50,50	29,70	24,00	28,00	1.4404	026A6I0250037ML
	1/2"	50,50	29,70	27,00	28,00	1.4404	026A6I0250050ML
	3/4"	50,50	29,70	32,00	28,00	1.4404	026A6I0250075ML
	1"	50,50	29,70	36,00	28,00	1.4404	026A6I0250100ML
	1.1/4"	50,50	29,70	46,00	45,00	1.4404	026A6I0250125ML
	1.1/2"	50,50	29,70	46,00	45,00	1.4404	026A6I0250150ML
DN 32	1/8"	50,50	38,40	22,00	28,00	1.4404	026A6I0320012ML
	1/4"	50,50	38,40	22,00	28,00	1.4404	026A6I0320025ML
	3/8"	50,50	38,40	24,00	28,00	1.4404	026A6I0320037ML
	1/2"	50,50	38,40	27,00	28,00	1.4404	026A6I0320050ML
	3/4"	50,50	38,40	32,00	28,00	1.4404	026A6I0320075ML
	1"	50,50	38,40	36,00	28,00	1.4404	026A6I0320100ML
	1.1/4"	50,50	38,40	46,00	45,00	1.4404	026A6I0320125ML
	1.1/2"	50,50	38,40	46,00	45,00	1.4404	026A6I0320150ML
	DN 40	1/8"	64,00	44,30	22,00	32,00	1.4404
1/4"		64,00	44,30	22,00	32,00	1.4404	026A6I0400025ML
3/8"		64,00	44,30	24,00	32,00	1.4404	026A6I0400037ML
1/2"		64,00	44,30	27,00	32,00	1.4404	026A6I0400050ML
3/4"		64,00	44,30	32,00	32,00	1.4404	026A6I0400075ML
1"		64,00	44,30	41,00	32,00	1.4404	026A6I0400100ML
1.1/4"		64,00	44,30	50,00	40,00	1.4404	026A6I0400125ML
1.1/2"		64,00	44,30	54,00	40,00	1.4404	026A6I0400150ML
2"		64,00	44,30	65,00	40,00	1.4404	026A6I0400200ML

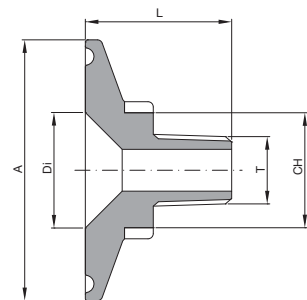
**ML**Int. finishing: $Ra \leq 0,4 \mu\text{m}$ Machined FinishExt. finishing: $Ra \leq 0,8 \mu\text{m}$ Mirror Polished

ASTM A270 Flange design According to ASME-BPE

Size	T	Ø A	Ø Di	CH	L	Material	Code
1/2"	1/8"	25,00	9,40	22,00	30,00	1.4404	026B600500012ML
	1/4"	25,00	9,40	22,00	30,00	1.4404	026B600500025ML
	3/8"	25,00	9,40	22,00	30,00	1.4404	026B600500037ML
	1/2"	25,00	9,40	22,00	38,00	1.4404	026B600500050ML
3/4"	1/8"	25,00	15,75	22,00	30,00	1.4404	026B600750012ML
	1/4"	25,00	15,75	22,00	30,00	1.4404	026B600750025ML
	3/8"	25,00	15,75	22,00	30,00	1.4404	026B600750037ML
	1/2"	25,00	15,75	22,00	38,00	1.4404	026B600750050ML
1"	1/8"	50,50	22,10	22,00	28,00	1.4404	026B601000012ML
	1/4"	50,50	22,10	22,00	28,00	1.4404	026B601000025ML
	3/8"	50,50	22,10	24,00	28,00	1.4404	026B601000037ML
	1/2"	50,50	22,10	27,00	31,00	1.4404	026B601000050ML
	3/4"	50,50	22,10	32,00	31,00	1.4404	026B601000075ML
	1"	50,50	22,10	36,00	34,00	1.4404	026B601000100ML
1.1/2"	1/8"	50,50	34,80	22,00	28,00	1.4404	026B601500012ML
	1/4"	50,50	34,80	22,00	28,00	1.4404	026B601500025ML
	3/8"	50,50	34,80	24,00	28,00	1.4404	026B601500037ML
	1/2"	50,50	34,80	27,00	31,00	1.4404	026B601500050ML
	3/4"	50,50	34,80	32,00	31,00	1.4404	026B601500075ML
	1"	50,50	34,80	36,00	34,00	1.4404	026B601500100ML
	1.1/4"	50,50	34,80	46,00	45,00	1.4404	026B601500125ML
2"	1/8"	64,00	47,50	22,00	30,00	1.4404	026B602000012ML
	1/4"	64,00	47,50	22,00	30,00	1.4404	026B602000025ML
	3/8"	64,00	47,50	24,00	30,00	1.4404	026B602000037ML
	1/2"	64,00	47,50	27,00	35,00	1.4404	026B602000050ML
	3/4"	64,00	47,50	32,00	35,00	1.4404	026B602000075ML
	1"	64,00	47,50	36,00	40,00	1.4404	026B602000100ML
	1.1/4"	64,00	47,50	50,00	40,00	1.4404	026B602000125ML
	1.1/2"	64,00	47,50	47,00	40,00	1.4404	026B602000150ML
2.1/2"	1/8"	77,40	60,20	22,00	37,00	1.4404	026B602500012ML
	1/4"	77,40	60,20	22,00	37,00	1.4404	026B602500025ML
	3/8"	77,40	60,20	24,00	37,00	1.4404	026B602500037ML
	1/2"	77,40	60,20	27,00	40,00	1.4404	026B602500050ML
	3/4"	77,40	60,20	32,00	40,00	1.4404	026B602500075ML
	1"	77,40	60,20	36,00	42,00	1.4404	026B602500100ML
	1.1/4"	77,40	60,20	46,00	42,00	1.4404	026B602500125ML
	1.1/2"	77,40	60,20	47,00	42,00	1.4404	026B602500150ML

**ML**

Int. finishing: $Ra \leq 0,4 \mu\text{m}$ Machined Finish
 Ext. finishing: $Ra \leq 0,8 \mu\text{m}$ Mirror Polished

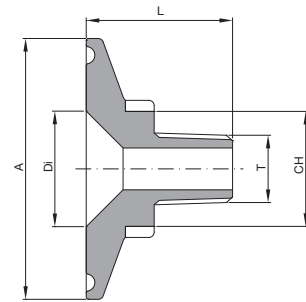


DIN 32676

Size	T	Ø A	Ø Di	CH	L	Material	Code
DN 10	1/8"	34,00	10,00	19,00	30,00	1.4404	026B6D0100012ML
	1/4"	34,00	10,00	19,00	30,00	1.4404	026B6D0100025ML
	3/8"	34,00	10,00	30,00	40,00	1.4404	026B6D0100037ML
	1/2"	34,00	10,00	30,00	43,00	1.4404	026B6D0100050ML
DN 15	1/8"	34,00	16,00	19,00	30,00	1.4404	026B6D0150012ML
	1/4"	34,00	16,00	19,00	30,00	1.4404	026B6D0150025ML
	3/8"	34,00	16,00	30,00	40,00	1.4404	026B6D0150037ML
	1/2"	34,00	16,00	30,00	43,00	1.4404	026B6D0150050ML
DN 20	1/8"	34,00	20,00	19,00	30,00	1.4404	026B6D0200012ML
	1/4"	34,00	20,00	19,00	30,00	1.4404	026B6D0200025ML
	3/8"	34,00	20,00	30,00	40,00	1.4404	026B6D0200037ML
	1/2"	34,00	20,00	30,00	43,00	1.4404	026B6D0200050ML
DN 25	1/8"	50,50	26,00	22,00	28,00	1.4404	026B6D0250012ML
	1/4"	50,50	26,00	22,00	28,00	1.4404	026B6D0250025ML
	3/8"	50,50	26,00	24,00	28,00	1.4404	026B6D0250037ML
	1/2"	50,50	26,00	27,00	31,00	1.4404	026B6D0250050ML
	3/4"	50,50	26,00	32,00	31,00	1.4404	026B6D0250075ML
	1"	50,50	26,00	36,00	34,00	1.4404	026B6D0250100ML
DN 32	1/8"	50,50	32,00	22,00	28,00	1.4404	026B6D0320012ML
	1/4"	50,50	32,00	22,00	28,00	1.4404	026B6D0320025ML
	3/8"	50,50	32,00	24,00	28,00	1.4404	026B6D0320037ML
	1/2"	50,50	32,00	27,00	31,00	1.4404	026B6D0320050ML
	3/4"	50,50	32,00	32,00	31,00	1.4404	026B6D0320075ML
	1"	50,50	32,00	36,00	34,00	1.4404	026B6D0320100ML
	1.1/4"	50,50	32,00	46,00	45,00	1.4404	026B6D0320125ML
	1.1/4"	50,50	32,00	46,00	45,00	1.4404	026B6D0320125ML
DN 40	1/8"	50,50	38,00	22,00	28,00	1.4404	026B6D0400012ML
	1/4"	50,50	38,00	22,00	28,00	1.4404	026B6D0400025ML
	3/8"	50,50	38,00	24,00	28,00	1.4404	026B6D0400037ML
	1/2"	50,50	38,00	27,00	31,00	1.4404	026B6D0400050ML
	3/4"	50,50	38,00	32,00	31,00	1.4404	026B6D0400075ML
	1"	50,50	38,00	36,00	34,00	1.4404	026B6D0400100ML
	1.1/4"	50,50	38,00	46,00	45,00	1.4404	026B6D0400125ML
	1.1/4"	50,50	38,00	46,00	45,00	1.4404	026B6D0400125ML
DN 50	1/8"	64,00	50,00	22,00	30,00	1.4404	026B6D0500012ML
	1/4"	64,00	50,00	22,00	30,00	1.4404	026B6D0500025ML
	3/8"	64,00	50,00	24,00	30,00	1.4404	026B6D0500037ML
	1/2"	64,00	50,00	27,00	35,00	1.4404	026B6D0500050ML
	3/4"	64,00	50,00	32,00	35,00	1.4404	026B6D0500075ML
	1"	64,00	50,00	36,00	40,00	1.4404	026B6D0500100ML
	1.1/4"	64,00	50,00	50,00	40,00	1.4404	026B6D0500125ML
	1.1/4"	64,00	50,00	50,00	40,00	1.4404	026B6D0500125ML
	1.1/2"	64,00	50,00	47,00	40,00	1.4404	026B6D0500150ML

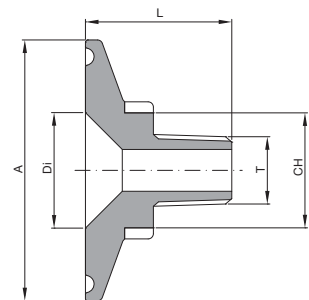


ML

Int. finishing: $Ra \leq 0,4 \mu\text{m}$ Machined FinishExt. finishing: $Ra \leq 0,8 \mu\text{m}$ Mirror Polished

ISO 1127

Size	T	Ø A	Ø Di	CH	L	Material	Code
DN 8	1/8"	34,00	10,30	19,00	30,00	1.4404	026B6I0080012ML
	1/4"	34,00	10,30	19,00	30,00	1.4404	026B6I0080025ML
	3/8"	34,00	10,30	30,00	40,00	1.4404	026B6I0080037ML
	1/2"	34,00	10,30	30,00	43,00	1.4404	026B6I0080050ML
DN 10	1/8"	34,00	14,00	19,00	30,00	1.4404	026B6I0100012ML
	1/4"	34,00	14,00	19,00	30,00	1.4404	026B6I0100025ML
	3/8"	34,00	14,00	30,00	40,00	1.4404	026B6I0100037ML
	1/2"	34,00	14,00	30,00	43,00	1.4404	026B6I0100050ML
DN 15	1/8"	34,00	18,10	19,00	30,00	1.4404	026B6I0150012ML
	1/4"	34,00	18,10	19,00	30,00	1.4404	026B6I0150025ML
	3/8"	34,00	18,10	30,00	40,00	1.4404	026B6I0150037ML
	1/2"	34,00	18,10	30,00	43,00	1.4404	026B6I0150050ML
DN 20	1/8"	50,50	23,70	22,00	28,00	1.4404	026B6I0200012ML
	1/4"	50,50	23,70	22,00	28,00	1.4404	026B6I0200025ML
	3/8"	50,50	23,70	24,00	28,00	1.4404	026B6I0200037ML
	1/2"	50,50	23,70	27,00	31,00	1.4404	026B6I0200050ML
	3/4"	50,50	23,70	32,00	31,00	1.4404	026B6I0200075ML
	1"	50,50	23,70	36,00	34,00	1.4404	026B6I0200100ML
DN 25	1/8"	50,50	29,70	22,00	28,00	1.4404	026B6I0250012ML
	1/4"	50,50	29,70	22,00	28,00	1.4404	026B6I0250025ML
	3/8"	50,50	29,70	24,00	28,00	1.4404	026B6I0250037ML
	1/2"	50,50	29,70	27,00	31,00	1.4404	026B6I0250050ML
	3/4"	50,50	29,70	32,00	31,00	1.4404	026B6I0250075ML
	1"	50,50	29,70	36,00	34,00	1.4404	026B6I0250100ML
	1.1/4"	50,50	29,70	46,00	45,00	1.4404	026B6I0250125ML
	1.1/2"	50,50	29,70	46,00	45,00	1.4404	026B6I0250150ML
DN 32	1/8"	50,50	38,40	22,00	28,00	1.4404	026B6I0320012ML
	1/4"	50,50	38,40	22,00	28,00	1.4404	026B6I0320025ML
	3/8"	50,50	38,40	24,00	28,00	1.4404	026B6I0320037ML
	1/2"	50,50	38,40	27,00	31,00	1.4404	026B6I0320050ML
	3/4"	50,50	38,40	32,00	31,00	1.4404	026B6I0320075ML
	1"	50,50	38,40	36,00	34,00	1.4404	026B6I0320100ML
	1.1/4"	50,50	38,40	46,00	45,00	1.4404	026B6I0320125ML
	1.1/2"	50,50	38,40	46,00	45,00	1.4404	026B6I0320150ML
DN 40	1/8"	64,00	44,30	22,00	30,00	1.4404	026B6I0400012ML
	1/4"	64,00	44,30	22,00	30,00	1.4404	026B6I0400025ML
	3/8"	64,00	44,30	24,00	30,00	1.4404	026B6I0400037ML
	1/2"	64,00	44,30	27,00	35,00	1.4404	026B6I0400050ML
	3/4"	64,00	44,30	32,00	35,00	1.4404	026B6I0400075ML
	1"	64,00	44,30	36,00	40,00	1.4404	026B6I0400100ML
	1.1/4"	64,00	44,30	50,00	40,00	1.4404	026B6I0400125ML
	1.1/2"	64,00	44,30	47,00	40,00	1.4404	026B6I0400150ML

**ML**Int. finishing: $Ra \leq 0,4 \mu\text{m}$ Machined FinishExt. finishing: $Ra \leq 0,8 \mu\text{m}$ Mirror Polished

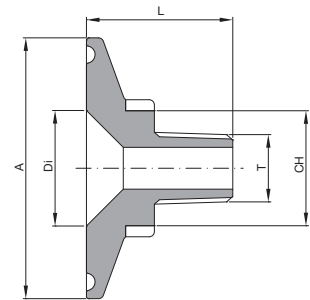


ASTM A270 Flange design According to ASME-BPE

Size	T	Ø A	Ø Di	CH	L	Material	Code
1/2"	1/8"	25,00	9,40	22,00	30,00	1.4404	026C600500012ML
	1/4"	25,00	9,40	22,00	30,00	1.4404	026C600500025ML
	3/8"	25,00	9,40	22,00	30,00	1.4404	026C600500037ML
	1/2"	25,00	9,40	22,00	38,00	1.4404	026C600500050ML
3/4"	1/8"	25,00	15,75	22,00	30,00	1.4404	026C600750012ML
	1/4"	25,00	15,75	22,00	30,00	1.4404	026C600750025ML
	3/8"	25,00	15,75	22,00	30,00	1.4404	026C600750037ML
	1/2"	25,00	15,75	22,00	38,00	1.4404	026C600750050ML
1"	1/8"	50,50	22,10	22,00	28,00	1.4404	026C601000012ML
	1/4"	50,50	22,10	22,00	28,00	1.4404	026C601000025ML
	3/8"	50,50	22,10	24,00	28,00	1.4404	026C601000037ML
	1/2"	50,50	22,10	27,00	31,00	1.4404	026C601000050ML
	3/4"	50,50	22,10	32,00	31,00	1.4404	026C601000075ML
	1"	50,50	22,10	36,00	34,00	1.4404	026C601000100ML
1.1/2"	1/8"	50,50	34,80	22,00	28,00	1.4404	026C601500012ML
	1/4"	50,50	34,80	22,00	28,00	1.4404	026C601500025ML
	3/8"	50,50	34,80	24,00	28,00	1.4404	026C601500037ML
	1/2"	50,50	34,80	27,00	31,00	1.4404	026C601500050ML
	3/4"	50,50	34,80	32,00	31,00	1.4404	026C601500075ML
	1"	50,50	34,80	36,00	34,00	1.4404	026C601500100ML
2"	1.1/4"	50,50	34,80	46,00	45,00	1.4404	026C601500125ML
	1/8"	64,00	47,50	22,00	30,00	1.4404	026C602000012ML
	1/4"	64,00	47,50	22,00	30,00	1.4404	026C602000025ML
	3/8"	64,00	47,50	24,00	30,00	1.4404	026C602000037ML
	1/2"	64,00	47,50	27,00	35,00	1.4404	026C602000050ML
	3/4"	64,00	47,50	32,00	35,00	1.4404	026C602000075ML
	1"	64,00	47,50	36,00	40,00	1.4404	026C602000100ML
	1.1/4"	64,00	47,50	50,00	40,00	1.4404	026C602000125ML
2.1/2"	1.1/2"	64,00	47,50	47,00	40,00	1.4404	026C602000150ML
	1/8"	77,40	60,20	22,00	37,00	1.4404	026C602500012ML
	1/4"	77,40	60,20	22,00	37,00	1.4404	026C602500025ML
	3/8"	77,40	60,20	24,00	37,00	1.4404	026C602500037ML
	1/2"	77,40	60,20	27,00	40,00	1.4404	026C602500050ML
	3/4"	77,40	60,20	32,00	40,00	1.4404	026C602500075ML
	1"	77,40	60,20	36,00	42,00	1.4404	026C602500100ML
	1.1/4"	77,40	60,20	46,00	42,00	1.4404	026C602500125ML
1.1/2"	77,40	60,20	47,00	42,00	1.4404	026C602500150ML	

ML

Int. finishing: **Ra ≤ 0,4 µm Machined Finish**
Ext. finishing: **Ra ≤ 0,8 µm Mirror Polished**

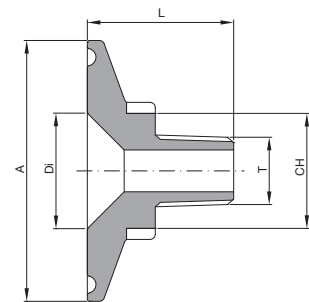


DIN 32676

Size	T	Ø A	Ø Di	CH	L	Material	Code
DN 10	1/8"	34,00	10,00	19,00	30,00	1.4404	026C6D0100012ML
	1/4"	34,00	10,00	19,00	30,00	1.4404	026C6D0100025ML
	3/8"	34,00	10,00	30,00	40,00	1.4404	026C6D0100037ML
	1/2"	34,00	10,00	30,00	43,00	1.4404	026C6D0100050ML
DN 15	1/8"	34,00	16,00	19,00	30,00	1.4404	026C6D0150012ML
	1/4"	34,00	16,00	19,00	30,00	1.4404	026C6D0150025ML
	3/8"	34,00	16,00	30,00	40,00	1.4404	026C6D0150037ML
	1/2"	34,00	16,00	30,00	43,00	1.4404	026C6D0150050ML
DN 20	1/8"	34,00	20,00	19,00	30,00	1.4404	026C6D0200012ML
	1/4"	34,00	20,00	19,00	30,00	1.4404	026C6D0200025ML
	3/8"	34,00	20,00	30,00	40,00	1.4404	026C6D0200037ML
	1/2"	34,00	20,00	30,00	43,00	1.4404	026C6D0200050ML
DN 25	1/8"	50,50	26,00	22,00	28,00	1.4404	026C6D0250012ML
	1/4"	50,50	26,00	22,00	28,00	1.4404	026C6D0250025ML
	3/8"	50,50	26,00	24,00	28,00	1.4404	026C6D0250037ML
	1/2"	50,50	26,00	27,00	31,00	1.4404	026C6D0250050ML
	3/4"	50,50	26,00	32,00	31,00	1.4404	026C6D0250075ML
	1"	50,50	26,00	36,00	34,00	1.4404	026C6D0250100ML
DN 32	1/8"	50,50	32,00	22,00	28,00	1.4404	026C6D0320012ML
	1/4"	50,50	32,00	22,00	28,00	1.4404	026C6D0320025ML
	3/8"	50,50	32,00	24,00	28,00	1.4404	026C6D0320037ML
	1/2"	50,50	32,00	27,00	31,00	1.4404	026C6D0320050ML
	3/4"	50,50	32,00	32,00	31,00	1.4404	026C6D0320075ML
	1"	50,50	32,00	36,00	34,00	1.4404	026C6D0320100ML
	1.1/4"	50,50	32,00	46,00	45,00	1.4404	026C6D0320125ML
	1.1/2"	50,50	32,00	47,00	40,00	1.4404	026C6D0320150ML
DN 40	1/8"	50,50	38,00	22,00	28,00	1.4404	026C6D0400012ML
	1/4"	50,50	38,00	22,00	28,00	1.4404	026C6D0400025ML
	3/8"	50,50	38,00	24,00	28,00	1.4404	026C6D0400037ML
	1/2"	50,50	38,00	27,00	31,00	1.4404	026C6D0400050ML
	3/4"	50,50	38,00	32,00	31,00	1.4404	026C6D0400075ML
	1"	50,50	38,00	36,00	34,00	1.4404	026C6D0400100ML
	1.1/4"	50,50	38,00	46,00	45,00	1.4404	026C6D0400125ML
	1.1/2"	50,50	38,00	47,00	40,00	1.4404	026C6D0400150ML
DN 50	1/8"	64,00	50,00	22,00	30,00	1.4404	026C6D0500012ML
	1/4"	64,00	50,00	22,00	30,00	1.4404	026C6D0500025ML
	3/8"	64,00	50,00	24,00	30,00	1.4404	026C6D0500037ML
	1/2"	64,00	50,00	27,00	35,00	1.4404	026C6D0500050ML
	3/4"	64,00	50,00	32,00	35,00	1.4404	026C6D0500075ML
	1"	64,00	50,00	36,00	40,00	1.4404	026C6D0500100ML
	1.1/4"	64,00	50,00	50,00	40,00	1.4404	026C6D0500125ML
	1.1/2"	64,00	50,00	50,00	40,00	1.4404	026C6D0500150ML
	1.3/4"	64,00	50,00	50,00	40,00	1.4404	026C6D0500175ML

**ML**

Int. finishing: $Ra \leq 0,4 \mu\text{m}$ Machined Finish
 Ext. finishing: $Ra \leq 0,8 \mu\text{m}$ Mirror Polished



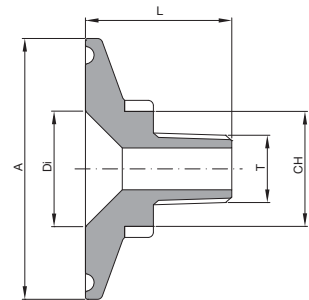


ML

Int. finishing: $Ra \leq 0,4 \mu m$ Machined Finish
Ext. finishing: $Ra \leq 0,8 \mu m$ Mirror Polished

ISO 1127

Size	T	Ø A	Ø Di	CH	L	Material	Code
DN 8	1/8"	34,00	10,30	19,00	30,00	1.4404	026C6I0080012ML
	1/4"	34,00	10,30	19,00	30,00	1.4404	026C6I0080025ML
	3/8"	34,00	10,30	30,00	40,00	1.4404	026C6I0080037ML
	1/2"	34,00	10,30	30,00	43,00	1.4404	026C6I0080050ML
DN 10	1/8"	34,00	14,00	19,00	30,00	1.4404	026C6I0100012ML
	1/4"	34,00	14,00	19,00	30,00	1.4404	026C6I0100025ML
	3/8"	34,00	14,00	30,00	40,00	1.4404	026C6I0100037ML
	1/2"	34,00	14,00	30,00	43,00	1.4404	026C6I0100050ML
DN 15	1/8"	34,00	18,10	19,00	30,00	1.4404	026C6I0150012ML
	1/4"	34,00	18,10	19,00	30,00	1.4404	026C6I0150025ML
	3/8"	34,00	18,10	30,00	40,00	1.4404	026C6I0150037ML
	1/2"	34,00	18,10	30,00	43,00	1.4404	026C6I0150050ML
DN 20	1/8"	50,50	23,70	22,00	28,00	1.4404	026C6I0200012ML
	1/4"	50,50	23,70	22,00	28,00	1.4404	026C6I0200025ML
	3/8"	50,50	23,70	24,00	28,00	1.4404	026C6I0200037ML
	1/2"	50,50	23,70	27,00	31,00	1.4404	026C6I0200050ML
	3/4"	50,50	23,70	32,00	31,00	1.4404	026C6I0200075ML
	1"	50,50	23,70	36,00	34,00	1.4404	026C6I0200100ML
DN 25	1/8"	50,50	29,70	22,00	28,00	1.4404	026C6I0250012ML
	1/4"	50,50	29,70	22,00	28,00	1.4404	026C6I0250025ML
	3/8"	50,50	29,70	24,00	28,00	1.4404	026C6I0250037ML
	1/2"	50,50	29,70	27,00	31,00	1.4404	026C6I0250050ML
	3/4"	50,50	29,70	32,00	31,00	1.4404	026C6I0250075ML
	1"	50,50	29,70	36,00	34,00	1.4404	026C6I0250100ML
	1.1/4"	50,50	29,70	46,00	45,00	1.4404	026C6I0250125ML
	1.1/2"	50,50	29,70	47,00	45,00	1.4404	026C6I0250150ML
DN 32	1/8"	50,50	38,40	22,00	28,00	1.4404	026C6I0320012ML
	1/4"	50,50	38,40	22,00	28,00	1.4404	026C6I0320025ML
	3/8"	50,50	38,40	24,00	28,00	1.4404	026C6I0320037ML
	1/2"	50,50	38,40	27,00	31,00	1.4404	026C6I0320050ML
	3/4"	50,50	38,40	32,00	31,00	1.4404	026C6I0320075ML
	1"	50,50	38,40	36,00	34,00	1.4404	026C6I0320100ML
	1.1/4"	50,50	38,40	46,00	45,00	1.4404	026C6I0320125ML
	1.1/2"	50,50	38,40	47,00	45,00	1.4404	026C6I0320150ML
DN 40	1/8"	64,00	44,30	22,00	30,00	1.4404	026C6I0400012ML
	1/4"	64,00	44,30	22,00	30,00	1.4404	026C6I0400025ML
	3/8"	64,00	44,30	24,00	30,00	1.4404	026C6I0400037ML
	1/2"	64,00	44,30	27,00	35,00	1.4404	026C6I0400050ML
	3/4"	64,00	44,30	32,00	35,00	1.4404	026C6I0400075ML
	1"	64,00	44,30	36,00	40,00	1.4404	026C6I0400100ML
	1.1/4"	64,00	44,30	50,00	40,00	1.4404	026C6I0400125ML
	1.1/2"	64,00	44,30	47,00	40,00	1.4404	026C6I0400150ML



ART. 027

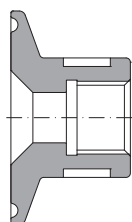
ART.

TRI-CLAMP FITTINGS



TRI-CLAMP FEMALE ADAPTOR

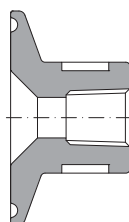
BSPP FEMALE THREADED



ART. 027/A

P. 105

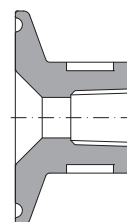
BSPT FEMALE THREADED



ART. 027/B

P. 108

NPT FEMALE THREADED



ART. 027/C

P. 111

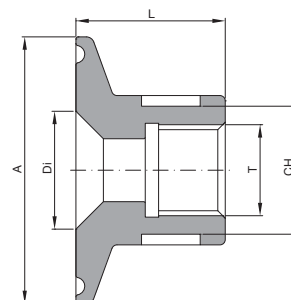


ASTM A270 Flange design According to ASME-BPE

Size	T	Ø A	Ø Di	CH	L	Material	Code
1/2"	1/8"	25,00	9,40	22,00	28,00	1.4404	027A600500012ML
	1/4"	25,00	9,40	22,00	28,00	1.4404	027A600500025ML
	3/8"	25,00	9,40	22,00	28,00	1.4404	027A600500037ML
	1/2"	25,00	9,40	22,00	35,00	1.4404	027A600500050ML
3/4"	1/8"	25,00	15,75	22,00	28,00	1.4404	027A600750012ML
	1/4"	25,00	15,75	22,00	28,00	1.4404	027A600750025ML
	3/8"	25,00	15,75	22,00	28,00	1.4404	027A600750037ML
	1/2"	25,00	15,75	22,00	35,00	1.4404	027A600750050ML
	3/4"	25,00	15,75	32,00	35,00	1.4404	027A600750075ML
	1"	25,00	15,75	37,00	35,00	1.4404	027A600750100ML
1"	1/8"	50,50	22,10	22,00	28,00	1.4404	027A601000012ML
	1/4"	50,50	22,10	22,00	28,00	1.4404	027A601000025ML
	3/8"	50,50	22,10	24,00	28,00	1.4404	027A601000037ML
	1/2"	50,50	22,10	27,00	28,00	1.4404	027A601000050ML
	3/4"	50,50	22,10	31,00	28,00	1.4404	027A601000075ML
	1"	50,50	22,10	36,00	28,00	1.4404	027A601000100ML
1.1/2"	1/8"	50,50	34,80	22,00	28,00	1.4404	027A601500012ML
	1/4"	50,50	34,80	22,00	28,00	1.4404	027A601500025ML
	3/8"	50,50	34,80	24,00	28,00	1.4404	027A601500037ML
	1/2"	50,50	34,80	27,00	28,00	1.4404	027A601500050ML
	3/4"	50,50	34,80	31,00	28,00	1.4404	027A601500075ML
	1"	50,50	34,80	36,00	28,00	1.4404	027A601500100ML
	1.1/4"	50,50	34,80	46,00	35,00	1.4404	027A601500125ML
	1.1/2"	50,50	34,80	55,00	40,00	1.4404	027A601500150ML
2"	1/8"	64,00	47,50	22,00	30,00	1.4404	027A602000012ML
	1/4"	64,00	47,50	22,00	30,00	1.4404	027A602000025ML
	3/8"	64,00	47,50	24,00	30,00	1.4404	027A602000037ML
	1/2"	64,00	47,50	27,00	35,00	1.4404	027A602000050ML
	3/4"	64,00	47,50	31,00	35,00	1.4404	027A602000075ML
	1"	64,00	47,50	47,00	35,00	1.4404	027A602000100ML
	1.1/4"	64,00	47,50	47,00	35,00	1.4404	027A602000125ML
	1.1/2"	64,00	47,50	54,00	35,00	1.4404	027A602000150ML
	2"	64,00	47,50	61,00	45,00	1.4404	027A602000200ML
	2.1/2"	64,00	47,50	84,00	50,00	1.4404	027A602000250ML
2.1/2"	2"	77,40	60,20	65,00	50,00	1.4404	027A602500200ML
	2.1/2"	77,40	60,20	84,00	50,00	1.4404	027A602500250ML
3"	2.1/2"	90,90	72,90	82,00	60,00	1.4404	027A603000250ML
	3"	90,90	72,90	110,00	60,00	1.4404	027A603000300ML
4"	3"	118,90	97,40	110,00	70,00	1.4404	027A604000300ML
	4"	118,90	97,40	120,00	70,00	1.4404	027A604000400ML

ML

Int. finishing: Ra ≤ 0,4 µm Machined Finish
Ext. finishing: Ra ≤ 0,8 µm Mirror Polished

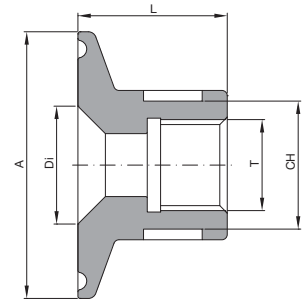


DIN 32676

Size	T	Ø A	Ø Di	CH	L	Material	Code
DN 10	1/8"	34,00	10,00	19,00	28,00	1.4404	027A6D0100012ML
	1/4"	34,00	10,00	19,00	28,00	1.4404	027A6D0100025ML
	3/8"	34,00	10,00	30,00	35,00	1.4404	027A6D0100037ML
	1/2"	34,00	10,00	30,00	35,00	1.4404	027A6D0100050ML
DN 15	1/8"	34,00	16,00	19,00	28,00	1.4404	027A6D0150012ML
	1/4"	34,00	16,00	19,00	28,00	1.4404	027A6D0150025ML
	3/8"	34,00	16,00	30,00	35,00	1.4404	027A6D0150037ML
	1/2"	34,00	16,00	30,00	35,00	1.4404	027A6D0150050ML
	3/4"	34,00	16,00	31,00	35,00	1.4404	027A6D0150075ML
	1"	34,00	16,00	37,00	35,00	1.4404	027A6D0150100ML
DN 20	1/8"	34,00	20,00	19,00	28,00	1.4404	027A6D0200012ML
	1/4"	34,00	20,00	19,00	28,00	1.4404	027A6D0200025ML
	3/8"	34,00	20,00	30,00	35,00	1.4404	027A6D0200037ML
	1/2"	34,00	20,00	30,00	35,00	1.4404	027A6D0200050ML
	3/4"	34,00	20,00	31,00	35,00	1.4404	027A6D0250075ML
	1"	34,00	20,00	37,00	35,00	1.4404	027A6D0250100ML
DN 25	1/8"	50,50	26,00	22,00	28,00	1.4404	027A6D0250012ML
	1/4"	50,50	26,00	22,00	28,00	1.4404	027A6D0250025ML
	3/8"	50,50	26,00	24,00	28,00	1.4404	027A6D0250037ML
	1/2"	50,50	26,00	27,00	28,00	1.4404	027A6D0250050ML
	3/4"	50,50	26,00	31,00	28,00	1.4404	027A6D0250075ML
	1"	50,50	26,00	36,00	28,00	1.4404	027A6D0250100ML
DN 32	1/8"	50,50	32,00	22,00	28,00	1.4404	027A6D0320012ML
	1/4"	50,50	32,00	22,00	28,00	1.4404	027A6D0320025ML
	3/8"	50,50	32,00	24,00	28,00	1.4404	027A6D0320037ML
	1/2"	50,50	32,00	27,00	28,00	1.4404	027A6D0320050ML
	3/4"	50,50	32,00	31,00	28,00	1.4404	027A6D0320075ML
	1"	50,50	32,00	36,00	28,00	1.4404	027A6D0320100ML
DN 40	1/8"	50,50	38,00	22,00	28,00	1.4404	027A6D0400012ML
	1/4"	50,50	38,00	22,00	28,00	1.4404	027A6D0400025ML
	3/8"	50,50	38,00	24,00	28,00	1.4404	027A6D0400037ML
	1/2"	50,50	38,00	27,00	28,00	1.4404	027A6D0400050ML
	3/4"	50,50	38,00	31,00	28,00	1.4404	027A6D0400075ML
	1"	50,50	38,00	36,00	28,00	1.4404	027A6D0400100ML
	1.1/4"	50,50	38,00	46,00	35,00	1.4404	027A6D0400125ML
	1.1/2"	50,50	38,00	55,00	40,00	1.4404	027A6D0400150ML
DN 50	1/8"	64,00	50,00	22,00	30,00	1.4404	027A6D0500012ML
	1/4"	64,00	50,00	22,00	30,00	1.4404	027A6D0500025ML
	3/8"	64,00	50,00	24,00	30,00	1.4404	027A6D0500037ML
	1/2"	64,00	50,00	27,00	35,00	1.4404	027A6D0500050ML
	3/4"	64,00	50,00	31,00	35,00	1.4404	027A6D0500075ML
	1"	64,00	50,00	47,00	35,00	1.4404	027A6D0500100ML
	1.1/4"	64,00	50,00	47,00	35,00	1.4404	027A6D0500125ML
	1.1/2"	64,00	50,00	54,00	35,00	1.4404	027A6D0500150ML
	2"	64,00	50,00	61,00	45,00	1.4404	027A6D0500200ML



ML

Int. finishing: $Ra \leq 0,4 \mu\text{m}$ Machined FinishExt. finishing: $Ra \leq 0,8 \mu\text{m}$ Mirror Polished

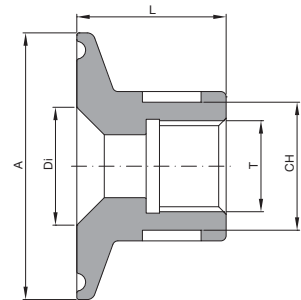
ISO 1127

Size	T	Ø A	Ø Di	CH	L	Material	Code
DN 8	1/8"	34,00	10,30	19,00	28,00	1.4404	027A6I0080012ML
	1/4"	34,00	10,30	19,00	28,00	1.4404	027A6I0080025ML
	3/8"	34,00	10,30	30,00	35,00	1.4404	027A6I0080037ML
	1/2"	34,00	10,30	30,00	35,00	1.4404	027A6I0080050ML
DN 10	1/8"	34,00	14,00	19,00	28,00	1.4404	027A6I0100012ML
	1/4"	34,00	14,00	19,00	28,00	1.4404	027A6I0100025ML
	3/8"	34,00	14,00	30,00	35,00	1.4404	027A6I0100037ML
	1/2"	34,00	14,00	30,00	35,00	1.4404	027A6I0100050ML
	3/4"	34,00	14,00	30,00	35,00	1.4404	027A6I0100075ML
	1"	34,00	14,00	37,00	35,00	1.4404	027A6I0100100ML
DN 15	1/8"	34,00	18,10	19,00	28,00	1.4404	027A6I0150012ML
	1/4"	34,00	18,10	19,00	28,00	1.4404	027A6I0150025ML
	3/8"	34,00	18,10	30,00	35,00	1.4404	027A6I0150037ML
	1/2"	34,00	18,10	30,00	35,00	1.4404	027A6I0150050ML
	3/4"	34,00	18,10	30,00	35,00	1.4404	027A6I0150075ML
	1"	34,00	18,10	37,00	35,00	1.4404	027A6I0150100ML
DN 20	1/8"	50,50	23,70	22,00	28,00	1.4404	027A6I0200012ML
	1/4"	50,50	23,70	22,00	28,00	1.4404	027A6I0200025ML
	3/8"	50,50	23,70	24,00	28,00	1.4404	027A6I0200037ML
	1/2"	50,50	23,70	27,00	28,00	1.4404	027A6I0200050ML
	3/4"	50,50	23,70	31,00	28,00	1.4404	027A6I0200075ML
	1"	50,50	23,70	36,00	28,00	1.4404	027A6I0200100ML
DN 25	1/8"	50,50	29,70	22,00	28,00	1.4404	027A6I0250012ML
	1/4"	50,50	29,70	22,00	28,00	1.4404	027A6I0250025ML
	3/8"	50,50	29,70	24,00	28,00	1.4404	027A6I0250037ML
	1/2"	50,50	29,70	27,00	28,00	1.4404	027A6I0250050ML
	3/4"	50,50	29,70	31,00	28,00	1.4404	027A6I0250075ML
	1"	50,50	29,70	36,00	28,00	1.4404	027A6I0250100ML
DN 32	1/8"	50,50	38,40	22,00	28,00	1.4404	027A6I0320012ML
	1/4"	50,50	38,40	22,00	28,00	1.4404	027A6I0320025ML
	3/8"	50,50	38,40	24,00	28,00	1.4404	027A6I0320037ML
	1/2"	50,50	38,40	27,00	28,00	1.4404	027A6I0320050ML
	3/4"	50,50	38,40	31,00	28,00	1.4404	027A6I0320075ML
	1"	50,50	38,40	36,00	28,00	1.4404	027A6I0320100ML
	1.1/4"	50,50	38,40	46,00	35,00	1.4404	027A6I0320125ML
	1.1/2"	50,50	38,40	55,00	40,00	1.4404	027A6I0320150ML
DN 40	1/8"	64,00	44,30	22,00	30,00	1.4404	027A6I0400012ML
	1/4"	64,00	44,30	22,00	30,00	1.4404	027A6I0400025ML
	3/8"	64,00	44,30	24,00	30,00	1.4404	027A6I0400037ML
	1/2"	64,00	44,30	27,00	35,00	1.4404	027A6I0400050ML
	3/4"	64,00	44,30	31,00	35,00	1.4404	027A6I0400075ML
	1"	64,00	44,30	47,00	35,00	1.4404	027A6I0400100ML
	1.1/4"	64,00	44,30	47,00	35,00	1.4404	027A6I0400125ML
	1.1/2"	64,00	44,30	54,00	35,00	1.4404	027A6I0400150ML
	2"	64,00	44,30	61,00	45,00	1.4404	027A6I0400200ML



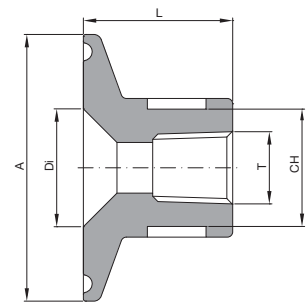
ML

Int. finishing: $Ra \leq 0,4 \mu\text{m}$ Machined Finish
 Ext. finishing: $Ra \leq 0,8 \mu\text{m}$ Mirror Polished



ASTM A270 Flange design According to ASME-BPE

Size	T	Ø A	Ø Di	CH	L	Material	Code
1/2"	1/8"	25,00	9,40	14,00	28,00	1.4404	027B600500012ML
	1/4"	25,00	9,40	22,00	28,00	1.4404	027B600500025ML
	3/8"	25,00	9,40	22,00	28,00	1.4404	027B600500037ML
	1/2"	25,00	9,40	22,00	35,00	1.4404	027B600500050ML
3/4"	1/8"	25,00	15,75	14,00	28,00	1.4404	027B600750012ML
	1/4"	25,00	15,75	22,00	28,00	1.4404	027B600750025ML
	3/8"	25,00	15,75	22,00	28,00	1.4404	027B600750037ML
	1/2"	25,00	15,75	22,00	38,00	1.4404	027B600750050ML
1"	1/8"	50,50	22,10	14,00	28,00	1.4404	027B601000012ML
	1/4"	50,50	22,10	22,00	28,00	1.4404	027B601000025ML
	3/8"	50,50	22,10	24,00	28,00	1.4404	027B601000037ML
	1/2"	50,50	22,10	27,00	28,00	1.4404	027B601000050ML
	3/4"	50,50	22,10	31,00	28,00	1.4404	027B601000075ML
	1"	50,50	22,10	36,00	28,00	1.4404	027B601000100ML
1.1/2"	1/8"	50,50	22,10	14,00	28,00	1.4404	027B601500012ML
	1/4"	50,50	34,80	22,00	28,00	1.4404	027B601500025ML
	3/8"	50,50	34,80	24,00	28,00	1.4404	027B601500037ML
	1/2"	50,50	34,80	27,00	28,00	1.4404	027B601500050ML
	3/4"	50,50	34,80	31,00	28,00	1.4404	027B601500075ML
	1"	50,50	34,80	36,00	28,00	1.4404	027B601500100ML
	1.1/4"	50,50	34,80	46,00	35,00	1.4404	027B601500125ML
	1.1/2"	50,50	34,80	60,00	40,00	1.4404	027B601500150ML
2"	3/4"	64,00	47,50	31,00	30,00	1.4404	027B602000075ML
	1"	64,00	47,50	36,00	35,00	1.4404	027B602000100ML
	1.1/4"	64,00	47,50	60,00	35,00	1.4404	027B602000125ML
	1.1/2"	64,00	47,50	60,00	35,00	1.4404	027B602000150ML
2.1/2"	3/4"	77,40	60,20	31,00	30,00	1.4404	027B602500075ML
	1"	77,40	60,20	36,00	35,00	1.4404	027B602500100ML
	1.1/4"	77,40	60,20	46,00	35,00	1.4404	027B602500125ML
	1.1/2"	77,40	60,20	60,00	35,00	1.4404	027B602500150ML
4"	3"	90,90	72,80	60,00	35,00	1.4404	027B604000300ML
	4"	90,90	72,80	60,00	35,00	1.4404	027B604000400ML

**ML**Int. finishing: $Ra \leq 0,4 \mu\text{m}$ Machined FinishExt. finishing: $Ra \leq 0,8 \mu\text{m}$ Mirror Polished

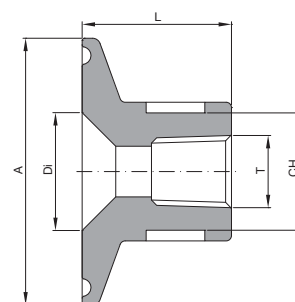
DIN 32676

Size	T	Ø A	Ø Di	CH	L	Material	Code
DN 10	1/8"	34,00	10,00	19,00	28,00	1.4404	027B6D0100012ML
	1/4"	34,00	10,00	19,00	28,00	1.4404	027B6D0100025ML
	3/8"	34,00	10,00	19,00	28,00	1.4404	027B6D0100037ML
	1/2"	34,00	10,00	30,00	38,00	1.4404	027B6D0100050ML
DN 15	1/8"	34,00	16,00	19,00	28,00	1.4404	027B6D0150012ML
	1/4"	34,00	16,00	19,00	28,00	1.4404	027B6D0150025ML
	3/8"	34,00	16,00	19,00	28,00	1.4404	027B6D0150037ML
	1/2"	34,00	16,00	30,00	38,00	1.4404	027B6D0150050ML
DN 20	1/8"	34,00	20,00	19,00	28,00	1.4404	027B6D0200012ML
	1/4"	34,00	20,00	19,00	28,00	1.4404	027B6D0200025ML
	3/8"	34,00	20,00	19,00	28,00	1.4404	027B6D0200037ML
	1/2"	34,00	20,00	30,00	38,00	1.4404	027B6D0200050ML
DN 25	1/8"	50,50	26,00	14,00	28,00	1.4404	027B6D0250012ML
	1/4"	50,50	26,00	22,00	28,00	1.4404	027B6D0250025ML
	3/8"	50,50	26,00	24,00	28,00	1.4404	027B6D0250037ML
	1/2"	50,50	26,00	27,00	28,00	1.4404	027B6D0250050ML
	3/4"	50,50	26,00	31,00	28,00	1.4404	027B6D0250075ML
	1"	50,50	26,00	36,00	28,00	1.4404	027B6D0250100ML
DN 32	1/8"	50,50	32,00	14,00	28,00	1.4404	027B6D0320012ML
	1/4"	50,50	32,00	22,00	28,00	1.4404	027B6D0320025ML
	3/8"	50,50	32,00	24,00	28,00	1.4404	027B6D0320037ML
	1/2"	50,50	32,00	27,00	28,00	1.4404	027B6D0320050ML
	3/4"	50,50	32,00	31,00	28,00	1.4404	027B6D0320075ML
	1"	50,50	32,00	36,00	28,00	1.4404	027B6D0320100ML
	1.1/4"	50,50	32,00	46,00	35,00	1.4404	027B6D0320125ML
	1.1/2"	50,50	32,00	60,00	40,00	1.4404	027B6D0320150ML
DN 40	1/8"	50,50	38,00	14,00	28,00	1.4404	027B6D0400012ML
	1/4"	50,50	38,00	22,00	28,00	1.4404	027B6D0400025ML
	3/8"	50,50	38,00	24,00	28,00	1.4404	027B6D0400037ML
	1/2"	50,50	38,00	27,00	28,00	1.4404	027B6D0400050ML
	3/4"	50,50	38,00	31,00	28,00	1.4404	027B6D0400075ML
	1"	50,50	38,00	36,00	28,00	1.4404	027B6D0400100ML
	1.1/4"	50,50	38,00	46,00	35,00	1.4404	027B6D0400125ML
	1.1/2"	50,50	38,00	60,00	40,00	1.4404	027B6D0400150ML
DN 50	3/4"	64,00	50,00	31,00	30,00	1.4404	027B6D0500075ML
	1"	64,00	50,00	36,00	35,00	1.4404	027B6D0500100ML
	1.1/4"	64,00	50,00	60,00	35,00	1.4404	027B6D0500125ML
	1.1/2"	64,00	50,00	60,00	35,00	1.4404	027B6D0500150ML



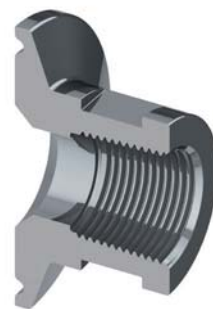
ML

Int. finishing: $Ra \leq 0,4 \mu\text{m}$ Machined Finish
 Ext. finishing: $Ra \leq 0,8 \mu\text{m}$ Mirror Polished



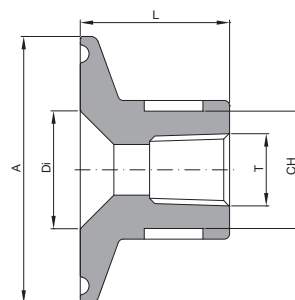
ISO 1127

Size	T	Ø A	Ø Di	CH	L	Material	Code
DN 8	1/8"	34,00	10,30	19,00	28,00	1.4404	027B6I0080012ML
	1/4"	34,00	10,30	19,00	28,00	1.4404	027B6I0080025ML
	3/8"	34,00	10,30	19,00	28,00	1.4404	027B6I0080037ML
	1/2"	34,00	10,30	30,00	38,00	1.4404	027B6I0080050ML
DN 10	1/8"	34,00	14,00	19,00	28,00	1.4404	027B6I0100012ML
	1/4"	34,00	14,00	19,00	28,00	1.4404	027B6I0100025ML
	3/8"	34,00	14,00	19,00	28,00	1.4404	027B6I0100037ML
	1/2"	34,00	14,00	30,00	38,00	1.4404	027B6I0100050ML
DN 15	1/8"	34,00	18,10	19,00	28,00	1.4404	027B6I0150012ML
	1/4"	34,00	18,10	19,00	28,00	1.4404	027B6I0150025ML
	3/8"	34,00	18,10	19,00	28,00	1.4404	027B6I0150037ML
	1/2"	34,00	18,10	30,00	38,00	1.4404	027B6I0150050ML
DN 20	1/8"	50,50	23,70	14,00	28,00	1.4404	027B6I0200012ML
	1/4"	50,50	23,70	22,00	28,00	1.4404	027B6I0200025ML
	3/8"	50,50	23,70	24,00	28,00	1.4404	027B6I0200037ML
	1/2"	50,50	23,70	27,00	28,00	1.4404	027B6I0200050ML
	3/4"	50,50	23,70	31,00	28,00	1.4404	027B6I0200075ML
	1"	50,50	23,70	36,00	28,00	1.4404	027B6I0200100ML
DN 25	1/8"	50,50	29,70	14,00	28,00	1.4404	027B6I0250012ML
	1/4"	50,50	29,70	22,00	28,00	1.4404	027B6I0250025ML
	3/8"	50,50	29,70	24,00	28,00	1.4404	027B6I0250037ML
	1/2"	50,50	29,70	27,00	28,00	1.4404	027B6I0250050ML
	3/4"	50,50	29,70	31,00	28,00	1.4404	027B6I0250075ML
	1"	50,50	29,70	36,00	28,00	1.4404	027B6I0250100ML
	1.1/4"	50,50	29,70	46,00	35,00	1.4404	027B6I0250125ML
	1.1/2"	50,50	29,70	60,00	40,00	1.4404	027B6I0250150ML
DN 32	1/8"	50,50	38,40	14,00	28,00	1.4404	027B6I0320012ML
	1/4"	50,50	38,40	22,00	28,00	1.4404	027B6I0320025ML
	3/8"	50,50	38,40	24,00	28,00	1.4404	027B6I0320037ML
	1/2"	50,50	38,40	27,00	28,00	1.4404	027B6I0320050ML
	3/4"	50,50	38,40	31,00	28,00	1.4404	027B6I0320075ML
	1"	50,50	38,40	36,00	28,00	1.4404	027B6I0320100ML
	1.1/4"	50,50	38,40	46,00	35,00	1.4404	027B6I0320125ML
	1.1/2"	50,50	38,40	60,00	40,00	1.4404	027B6I0320150ML
DN 40	3/4"	64,00	44,30	31,00	30,00	1.4404	027B6I0400075ML
	1"	64,00	44,30	36,00	35,00	1.4404	027B6I0400100ML
	1.1/4"	64,00	44,30	60,00	35,00	1.4404	027B6I0400125ML
	1.1/2"	64,00	44,30	60,00	45,00	1.4404	027B6I0400150ML



ML

Int. finishing: $Ra \leq 0,4 \mu\text{m}$ Machined Finish
 Ext. finishing: $Ra \leq 0,8 \mu\text{m}$ Mirror Polished





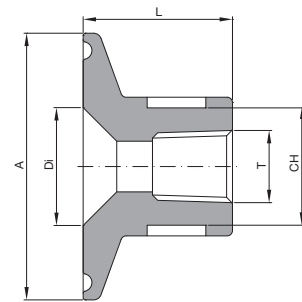
ASTM A270 Flange design According to ASME-BPE

Size	T	Ø A	Ø Di	CH	L	Material	Code
1/2"	1/8"	25,00	9,40	14,00	28,00	1.4404	027C600500012ML
	1/4"	25,00	9,40	22,00	28,00	1.4404	027C600500025ML
	3/8"	25,00	9,40	22,00	28,00	1.4404	027C600500037ML
	1/2"	25,00	9,40	22,00	35,00	1.4404	027C600500050ML
3/4"	1/8"	25,00	15,75	14,00	28,00	1.4404	027C600750012ML
	1/4"	25,00	15,75	22,00	28,00	1.4404	027C600750025ML
	3/8"	25,00	15,75	22,00	28,00	1.4404	027C600750037ML
	1/2"	25,00	15,75	22,00	38,00	1.4404	027C600750050ML
1"	1/8"	50,50	22,10	14,00	28,00	1.4404	027C601000012ML
	1/4"	50,50	22,10	22,00	28,00	1.4404	027C601000025ML
	3/8"	50,50	22,10	24,00	28,00	1.4404	027C601000037ML
	1/2"	50,50	22,10	27,00	28,00	1.4404	027C601000050ML
	3/4"	50,50	22,10	31,00	28,00	1.4404	027C601000075ML
	1"	50,50	22,10	36,00	28,00	1.4404	027C601000100ML
1.1/2"	1/8"	50,50	22,10	14,00	28,00	1.4404	027C601500012ML
	1/4"	50,50	34,80	22,00	28,00	1.4404	027C601500025ML
	3/8"	50,50	34,80	24,00	28,00	1.4404	027C601500037ML
	1/2"	50,50	34,80	27,00	28,00	1.4404	027C601500050ML
	3/4"	50,50	34,80	31,00	28,00	1.4404	027C601500075ML
	1"	50,50	34,80	36,00	28,00	1.4404	027C601500100ML
	1.1/4"	50,50	34,80	46,00	35,00	1.4404	027C601500125ML
	1.1/2"	50,50	34,80	60,00	40,00	1.4404	027C601500150ML
2"	3/4"	64,00	47,50	31,00	30,00	1.4404	027C602000075ML
	1"	64,00	47,50	36,00	35,00	1.4404	027C602000100ML
	1.1/4"	64,00	47,50	60,00	35,00	1.4404	027C602000125ML
	1.1/2"	64,00	47,50	60,00	35,00	1.4404	027C602000150ML
2.1/2"	3/4"	77,40	60,20	31,00	30,00	1.4404	027C602500075ML
	1"	77,40	60,20	36,00	35,00	1.4404	027C602500100ML
	1.1/4"	77,40	60,20	46,00	35,00	1.4404	027C602500125ML
	1.1/2"	77,40	60,20	60,00	35,00	1.4404	027C602500150ML
4"	3"	90,90	72,80	60,00	35,00	1.4404	027C604000300ML
	4"	90,90	72,80	60,00	35,00	1.4404	027C604000400ML

ML

Int. finishing: $Ra \leq 0,4 \mu m$ Machined Finish

Ext. finishing: $Ra \leq 0,8 \mu m$ Mirror Polished



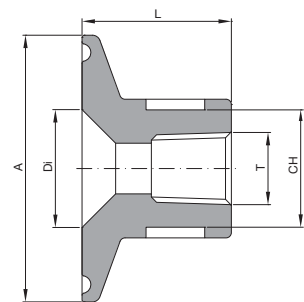
DIN 32676

Size	T	Ø A	Ø Di	CH	L	Material	Code
DN 10	1/8"	34,00	10,00	19,00	28,00	1.4404	027C6D0100012ML
	1/4"	34,00	10,00	19,00	28,00	1.4404	027C6D0100025ML
	3/8"	34,00	10,00	19,00	28,00	1.4404	027C6D0100037ML
	1/2"	34,00	10,00	30,00	38,00	1.4404	027C6D0100050ML
DN 15	1/8"	34,00	16,00	19,00	28,00	1.4404	027C6D0150012ML
	1/4"	34,00	16,00	19,00	28,00	1.4404	027C6D0150025ML
	3/8"	34,00	16,00	19,00	28,00	1.4404	027C6D0150037ML
	1/2"	34,00	16,00	30,00	38,00	1.4404	027C6D0150050ML
DN 20	1/8"	34,00	20,00	19,00	28,00	1.4404	027C6D0200012ML
	1/4"	34,00	20,00	19,00	28,00	1.4404	027C6D0200025ML
	3/8"	34,00	20,00	19,00	28,00	1.4404	027C6D0200037ML
	1/2"	34,00	20,00	30,00	38,00	1.4404	027C6D0200050ML
DN 25	1/8"	50,50	26,00	14,00	28,00	1.4404	027C6D0250012ML
	1/4"	50,50	26,00	22,00	28,00	1.4404	027C6D0250025ML
	3/8"	50,50	26,00	24,00	28,00	1.4404	027C6D0250037ML
	1/2"	50,50	26,00	27,00	28,00	1.4404	027C6D0250050ML
	3/4"	50,50	26,00	31,00	28,00	1.4404	027C6D0250075ML
	1"	50,50	26,00	36,00	28,00	1.4404	027C6D0250100ML
DN 32	1/8"	50,50	32,00	14,00	28,00	1.4404	027C6D0320012ML
	1/4"	50,50	32,00	22,00	28,00	1.4404	027C6D0320025ML
	3/8"	50,50	32,00	24,00	28,00	1.4404	027C6D0320037ML
	1/2"	50,50	32,00	27,00	28,00	1.4404	027C6D0320050ML
	3/4"	50,50	32,00	31,00	28,00	1.4404	027C6D0320075ML
	1"	50,50	32,00	36,00	28,00	1.4404	027C6D0320100ML
	1.1/4"	50,50	32,00	46,00	35,00	1.4404	027C6D0320125ML
	1.1/2"	50,50	32,00	60,00	40,00	1.4404	027C6D0320150ML
DN 40	1/8"	50,50	38,00	14,00	28,00	1.4404	027C6D0400012ML
	1/4"	50,50	38,00	22,00	28,00	1.4404	027C6D0400025ML
	3/8"	50,50	38,00	24,00	28,00	1.4404	027C6D0400037ML
	1/2"	50,50	38,00	27,00	28,00	1.4404	027C6D0400050ML
	3/4"	50,50	38,00	31,00	28,00	1.4404	027C6D0400075ML
	1"	50,50	38,00	36,00	28,00	1.4404	027C6D0400100ML
	1.1/4"	50,50	38,00	46,00	35,00	1.4404	027C6D0400125ML
	1.1/2"	50,50	38,00	60,00	40,00	1.4404	027C6D0400150ML
DN 50	3/4"	64,00	50,00	31,00	30,00	1.4404	027C6D0500075ML
	1"	64,00	50,00	36,00	35,00	1.4404	027C6D0500100ML
	1.1/4"	64,00	50,00	60,00	35,00	1.4404	027C6D0500125ML
	1.1/2"	64,00	50,00	60,00	35,00	1.4404	027C6D0500150ML



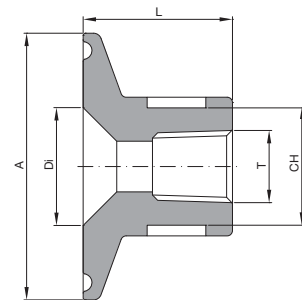
ML

Int. finishing: $Ra \leq 0,4 \mu\text{m}$ Machined Finish
 Ext. finishing: $Ra \leq 0,8 \mu\text{m}$ Mirror Polished



ISO 1127

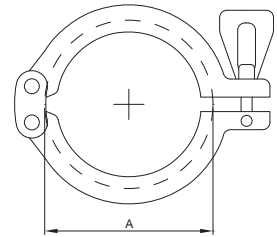
Size	T	Ø A	Ø Di	CH	L	Material	Code
DN 8	1/8"	34,00	10,30	19,00	28,00	1.4404	027C6I0080012ML
	1/4"	34,00	10,30	19,00	28,00	1.4404	027C6I0080025ML
	3/8"	34,00	10,30	19,00	28,00	1.4404	027C6I0080037ML
	1/2"	34,00	10,30	30,00	38,00	1.4404	027C6I0080050ML
DN 10	1/8"	34,00	14,00	19,00	28,00	1.4404	027C6I0100012ML
	1/4"	34,00	14,00	19,00	28,00	1.4404	027C6I0100025ML
	3/8"	34,00	14,00	19,00	28,00	1.4404	027C6I0100037ML
	1/2"	34,00	14,00	30,00	38,00	1.4404	027C6I0100050ML
DN 15	1/8"	34,00	18,10	19,00	28,00	1.4404	027C6I0150012ML
	1/4"	34,00	18,10	19,00	28,00	1.4404	027C6I0150025ML
	3/8"	34,00	18,10	19,00	28,00	1.4404	027C6I0150037ML
	1/2"	34,00	18,10	30,00	38,00	1.4404	027C6I0150050ML
DN 20	1/8"	50,50	23,70	14,00	28,00	1.4404	027C6I0200012ML
	1/4"	50,50	23,70	22,00	28,00	1.4404	027C6I0200025ML
	3/8"	50,50	23,70	24,00	28,00	1.4404	027C6I0200037ML
	1/2"	50,50	23,70	27,00	28,00	1.4404	027C6I0200050ML
	3/4"	50,50	23,70	31,00	28,00	1.4404	027C6I0200075ML
	1"	50,50	23,70	36,00	28,00	1.4404	027C6I0200100ML
DN 25	1/8"	50,50	29,70	14,00	28,00	1.4404	027C6I0250012ML
	1/4"	50,50	29,70	22,00	28,00	1.4404	027C6I0250025ML
	3/8"	50,50	29,70	24,00	28,00	1.4404	027C6I0250037ML
	1/2"	50,50	29,70	27,00	28,00	1.4404	027C6I0250050ML
	3/4"	50,50	29,70	31,00	28,00	1.4404	027C6I0250075ML
	1"	50,50	29,70	36,00	28,00	1.4404	027C6I0250100ML
	1.1/4"	50,50	29,70	46,00	35,00	1.4404	027C6I0250125ML
	1.1/2"	50,50	29,70	60,00	40,00	1.4404	027C6I0250150ML
DN 32	1/8"	50,50	38,40	14,00	28,00	1.4404	027C6I0320012ML
	1/4"	50,50	38,40	22,00	28,00	1.4404	027C6I0320025ML
	3/8"	50,50	38,40	24,00	28,00	1.4404	027C6I0320037ML
	1/2"	50,50	38,40	27,00	28,00	1.4404	027C6I0320050ML
	3/4"	50,50	38,40	31,00	28,00	1.4404	027C6I0320075ML
	1"	50,50	38,40	36,00	28,00	1.4404	027C6I0320100ML
	1.1/4"	50,50	38,40	46,00	35,00	1.4404	027C6I0320125ML
	1.1/2"	50,50	38,40	60,00	40,00	1.4404	027C6I0320150ML
DN 40	3/4"	64,00	44,30	31,00	30,00	1.4404	027C6I0400075ML
	1"	64,00	44,30	36,00	35,00	1.4404	027C6I0400100ML
	1.1/4"	64,00	44,30	60,00	35,00	1.4404	027C6I0400125ML
	1.1/2"	64,00	44,30	60,00	45,00	1.4404	027C6I0400150ML

**ML**Int. finishing: $Ra \leq 0,4 \mu\text{m}$ Machined FinishExt. finishing: $Ra \leq 0,8 \mu\text{m}$ Mirror Polished



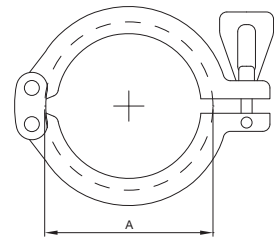
ASTM A270 / DIN 32676 / ISO 1127 - AISI 304 - 1.4301

A	Ø Flange	ASTM A270	DIN 32676	ISO 1127	Material	Code
28	25	1/2", 3/4"			AISI 304	034Z40050
37	34		DN 10-15-20	DN 8-10-15	AISI 304	034Z4D010
53	50,5	1", 1.1/2"	DN 25-32-40	DN 20-25-32	AISI 304	034Z40100
67	64	2"	DN 50	DN 40	AISI 304	034Z40200
80	77,5	2.1/2"		DN 50	AISI 304	034Z40250
94	91	3"	DN 65	DN 65	AISI 304	034Z40300
109	106		DN 80	DN 80	AISI 304	034Z4D080
122	119	4"	DN 100		AISI 304	034Z40400
133	130			DN 100	AISI 304	034Z4D100
170	167	6"			AISI 304	034Z40600



ASTM A270 / DIN 32676 / ISO 1127 - AISI 316 - 1.4404

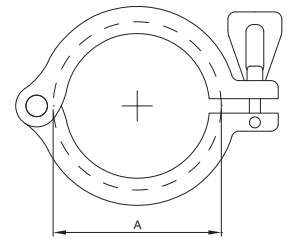
A	Ø Flange	ASTM A270	DIN 32676	ISO 1127	Material	Code
28	25	1/2", 3/4"			AISI 316	034Z60050
37	34		DN 10-15-20	DN 8-10-15	AISI 316	034Z6D010
53	50,5	1", 1.1/2"	DN 25-32-40	DN 20-25-32	AISI 316	034Z60100
67	64	2"	DN 50	DN 40	AISI 316	034Z60200
80	77,5	2.1/2"		DN 50	AISI 316	034Z60250
94	91	3"	DN 65	DN 65	AISI 316	034Z60300
109	106		DN 80	DN 80	AISI 316	034Z6D080
122	119	4"	DN 100		AISI 316	034Z60400
133	130			DN 100	AISI 316	034Z6D100
170	167	6"			AISI 316	034Z60600





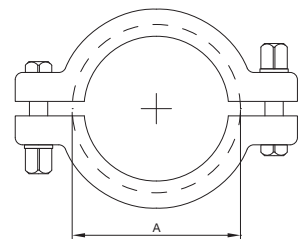
ART. 039 Single Pin Clamp

A	Ø Flange	ASTM A270	DIN 32676	ISO 1127	Material	Code
28	25	1/2", 3/4"			AISI 304	039Z40050
37	34		DN 10-15-20	DN 8-10-15	AISI 304	039Z4D010
53	50,5	1", 1.1/2"	DN 25-32-40	DN 20-25-32	AISI 304	039Z40100
67	64	2"	DN 50	DN 40	AISI 304	039Z40200
80	77,5	2.1/2"		DN 50	AISI 304	039Z40250
94	91	3"	DN 65	DN 65	AISI 304	039Z40300
109	106		DN 80	DN 80	AISI 304	039Z4D080
122	119	4"	DN 100		AISI 304	039Z40400
133	130			DN 100	AISI 304	039Z4D100
170	167	6"			AISI 304	039Z40600



ART. 035 High Pressure Clamp

A	Ø Flange	ASTM A270	DIN 32676	ISO 1127	Material	Code
28	25	1/2", 3/4"			AISI 304	035Z40050
52	50,5	1", 1.1/2"	DN 25-32-40	DN 20-25-32	AISI 304	035Z40100
65,5	64	2"	DN 50	DN 40	AISI 304	035Z40200
79	77,5	2.1/2"		DN 50	AISI 304	035Z40250
92,5	91	3"	DN 65	DN 65	AISI 304	035Z40300
120	119	4"	DN 100		AISI 304	035Z40400
168	167	6"			AISI 304	035Z40600



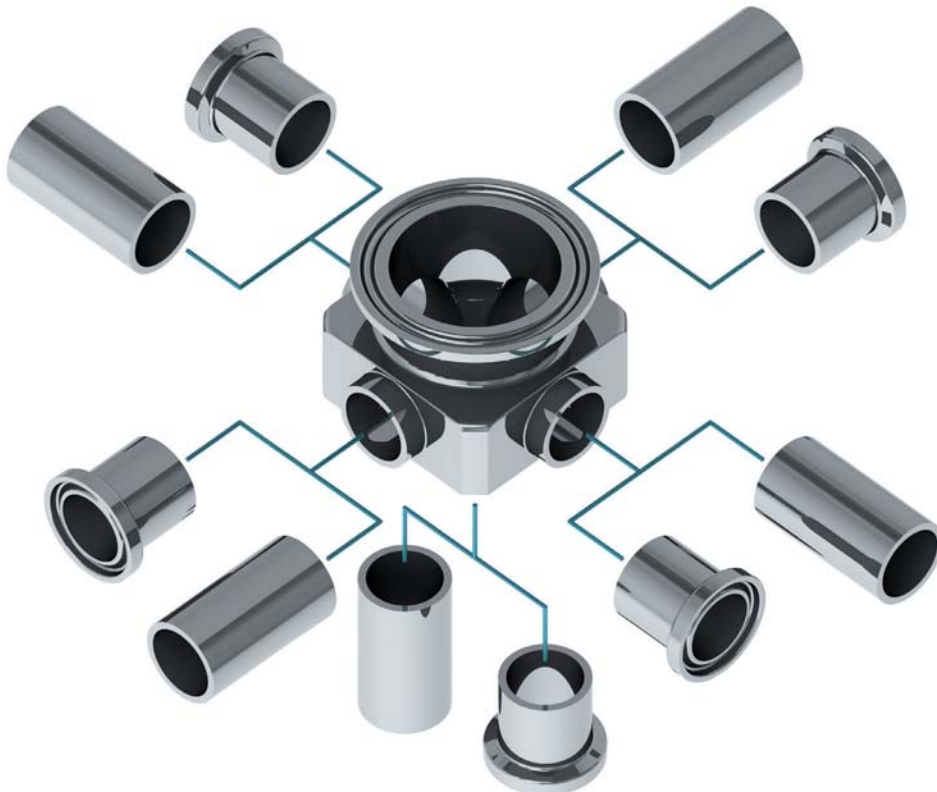
ART. 097

TRI-CLAMP FITTINGS



INSTRUMENT PORT

Instrument ports are used to adapt pressure and temperature measuring instruments to pipelines reducing dead legs. It has been specifically developed for applications in sterile process engineering. They are available on Tri-Clamp and butt weld ends, for manual and automatic weldings. We can produce special Instrument Ports with several connections on the same piece, to fulfill customer requirements, reducing dimensions and number of parts for sterile pipeline assembly.



ART. 097/A Long Butt Weld Ends Automatical Welding

Design according to ASME BPE table DT-28

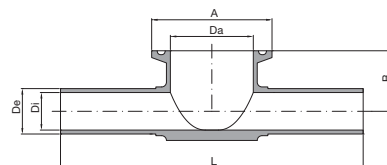
A	Da	B	De	Di	L	Material	Finishing	Code
1.1/2"	34,8	22,20	12,70	9,40	127,00	1.4435-BN2	SF-1	097A50150012SF1
							SF-4	097A50150012SF4
		25,40	19,05	15,75	127,00	1.4435-BN2	SF-1	097A50150019SF1
							SF-4	097A50150019SF4
		28,60	25,40	22,10	127,00	1.4435-BN2	SF-1	097A50150025SF1
							SF-4	097A50150025SF4
2"	47,50	25,40	12,70	9,40	139,80	1.4435-BN2	SF-1	097A50200012SF1
							SF-4	097A50200012SF4
		28,60	19,05	15,75	139,80	1.4435-BN2	SF-1	097A50200019SF1
							SF-4	097A50200019SF4
		31,80	25,40	22,10	139,80	1.4435-BN2	SF-1	097A50200025SF1
							SF-4	097A50200025SF4
		38,10	38,10	34,80	139,80	1.4435-BN2	SF-1	097A50200038SF1
							SF-4	097A50200038SF4

SF-1

Int. finishing: $Ra \leq 0,4 \mu\text{m}$ Machined Finish
 Ext. finishing: $Ra \leq 0,8 \mu\text{m}$ Machined Finish

SF-4

Int. finishing: $Ra \leq 0,4 \mu\text{m}$ Electropolished
 Ext. finishing: $Ra \leq 0,8 \mu\text{m}$ Electropolished

**ART. 097/B** Tri-Clamp Ends

Flange design according to ASME BPE

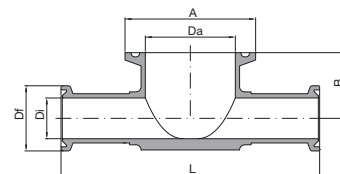
A	Da	B	Df	Di	L	Material	Finishing	Code
1.1/2"	34,8	22,20	25,00	9,40	100,00	1.4435-BN2	SF-1	097B50150012SF1
							SF-4	097B50150012SF4
		25,40	25,00	15,75	100,00	1.4435-BN2	SF-1	097B50150019SF1
							SF-4	097B50150019SF4
		28,60	50,50	22,10	100,00	1.4435-BN2	SF-1	097B50150025SF1
							SF-4	097B50150025SF4
2"	47,50	25,40	25,00	9,40	110,00	1.4435-BN2	SF-1	097B50200012SF1
							SF-4	097B50200012SF4
		28,60	25,00	15,75	110,00	1.4435-BN2	SF-1	097B50200019SF1
							SF-4	097B50200019SF4
		31,80	50,50	22,10	110,00	1.4435-BN2	SF-1	097B50200025SF1
							SF-4	097B50200025SF4
		38,10	50,50	34,80	110,00	1.4435-BN2	SF-1	097B50200038SF1
							SF-4	097B50200038SF4

SF-1

Int. finishing: $Ra \leq 0,4 \mu\text{m}$ Machined Finish
 Ext. finishing: $Ra \leq 0,8 \mu\text{m}$ Machined Finish

SF-4

Int. finishing: $Ra \leq 0,4 \mu\text{m}$ Electropolished
 Ext. finishing: $Ra \leq 0,8 \mu\text{m}$ Electropolished

**ART. 097/C** Short Butt Weld Manual Welding

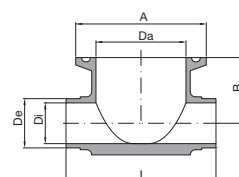
A	Da	B	De	Di	L	Material	Finishing	Code
1.1/2"	34,8	22,20	12,70	9,40	58,00	1.4435-BN2	SF-1	097C50150012SF1
							SF-4	097C50150012SF4
		25,40	19,05	15,75	58,00	1.4435-BN2	SF-1	097C50150019SF1
							SF-4	097C50150019SF4
		28,60	25,40	22,10	58,00	1.4435-BN2	SF-1	097C50150025SF1
							SF-4	097C50150025SF4
2"	47,50	25,40	12,70	9,40	70,00	1.4435-BN2	SF-1	097C50200012SF1
							SF-4	097C50200012SF4
		28,60	19,05	15,75	70,00	1.4435-BN2	SF-1	097C50200019SF1
							SF-4	097C50200019SF4
		31,80	25,40	22,10	70,00	1.4435-BN2	SF-1	097C50200025SF1
							SF-4	097C50200025SF4
		38,10	38,10	34,80	70,00	1.4435-BN2	SF-1	097C50200038SF1
							SF-4	097C50200038SF4

SF-1

Int. finishing: $Ra \leq 0,4 \mu\text{m}$ Machined Finish
 Ext. finishing: $Ra \leq 0,8 \mu\text{m}$ Machined Finish

SF-4

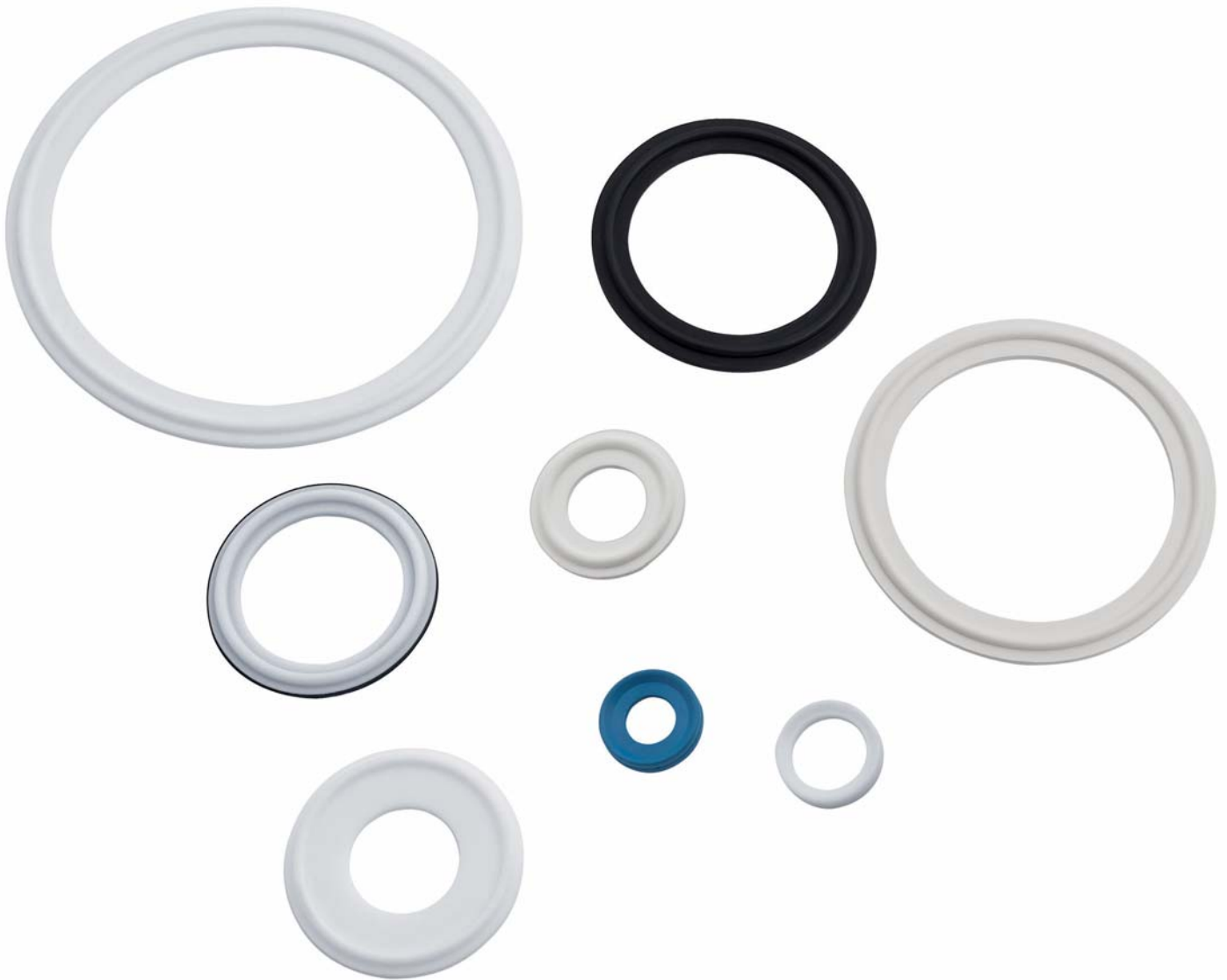
Int. finishing: $Ra \leq 0,4 \mu\text{m}$ Electropolished
 Ext. finishing: $Ra \leq 0,8 \mu\text{m}$ Electropolished



ART. **036**

TRI-CLAMP FITTINGS

TRI-CLAMP GASKETS



ASTM A270

Size	Material	Code
1/2"	PTFE - FDA	036Z0050PTF
	PTFE - USP 70	036Z0050PT70
	PTFE - USP 121	036Z0050PT121
	SILICONE FDA	036Z0050SIF
	SILICONE USP 70	036Z0050SI70
	SILICONE USP 121	036Z0050SI121
	EPDM FDA	036Z0050EPF
	EPDM USP 70	036Z0050EP70
	FPM/FKM	036Z0050V
	FPM/FKM USP 70	036Z0050V70
3/4"	PTFE - FDA	036Z0075PTF
	PTFE - USP 70	036Z0075PT70
	PTFE - USP 121	036Z0075PT121
	SILICONE FDA	036Z0075SIF
	SILICONE USP 70	036Z0075SI70
	SILICONE USP 121	036Z0075SI121
	EPDM FDA	036Z0075EPF
	EPDM USP 70	036Z0075EP70
	FPM/FKM	036Z0075V
	FPM/FKM USP 70	036Z0075V70
1"	PTFE - FDA	036Z0100PTF
	PTFE - USP 70	036Z0100PT70
	PTFE - USP 121	036Z0100PT121
	SILICONE FDA	036Z0100SIF
	SILICONE USP 70	036Z0100SI70
	SILICONE USP 121	036Z0100SI121
	EPDM FDA	036Z0100EPF
	EPDM USP 70	036Z0100EP70
	FPM/FKM	036Z0100V
	FPM/FKM USP 70	036Z0100V70
1.1/2"	PTFE - FDA	036Z0150PTF
	PTFE - USP 70	036Z0150PT70
	PTFE - USP 121	036Z0150PT121
	SILICONE FDA	036Z0150SIF
	SILICONE USP 70	036Z0150SI70
	SILICONE USP 121	036Z0150SI121
	EPDM FDA	036Z0150EPF
	EPDM USP 70	036Z0150EP70
	FPM/FKM	036Z0150V
	FPM/FKM USP 70	036Z0150V70
2"	PTFE - FDA	036Z0200PTF
	PTFE - USP 70	036Z0200PT70
	PTFE - USP 121	036Z0200PT121
	SILICONE FDA	036Z0200SIF
	SILICONE USP 70	036Z0200SI70
	SILICONE USP 121	036Z0200SI121
	EPDM FDA	036Z0200EPF
	EPDM USP 70	036Z0200EP70
	FPM/FKM	036Z0200V
	FPM/FKM USP 70	036Z0200V70

Size	Material	Code
2.1/2"	PTFE - FDA	036Z0250PTF
	PTFE - USP 70	036Z0250PT70
	PTFE - USP 121	036Z0250PT121
	SILICONE FDA	036Z0250SIF
	SILICONE USP 70	036Z0250SI70
	SILICONE USP 121	036Z0250SI121
	EPDM FDA	036Z0250EPF
	EPDM USP 70	036Z0250EP70
	FPM/FKM	036Z0250V
	FPM/FKM USP 70	036Z0250V70
3"	PTFE - FDA	036Z0300PTF
	PTFE - USP 70	036Z0300PT70
	PTFE - USP 121	036Z0300PT121
	SILICONE FDA	036Z0300SIF
	SILICONE USP 70	036Z0300SI70
	SILICONE USP 121	036Z0300SI121
	EPDM FDA	036Z0300EPF
	EPDM USP 70	036Z0300EP70
	FPM/FKM	036Z0300V
	FPM/FKM USP 70	036Z0300V70
4"	PTFE - FDA	036Z0400PTF
	PTFE - USP 70	036Z0400PT70
	PTFE - USP 121	036Z0400PT121
	SILICONE FDA	036Z0400SIF
	SILICONE USP 70	036Z0400SI70
	SILICONE USP 121	036Z0400SI121
	EPDM FDA	036Z0400EPF
	EPDM USP 70	036Z0400EP70
	FPM/FKM	036Z0400V
	FPM/FKM USP 70	036Z0400V70
6"	PTFE - FDA	036Z0600PTF
	PTFE - USP 70	036Z0600PT70
	PTFE - USP 121	036Z0600PT121
	SILICONE FDA	036Z0600SIF
	SILICONE USP 70	036Z0600SI70
	SILICONE USP 121	036Z0600SI121
	EPDM FDA	036Z0600EPF
	EPDM USP 70	036Z0600EP70
	FPM/FKM	036Z0600V
	FPM/FKM USP 70	036Z0600V70

DIN 32676

Size	Material	Code
DN 10	PTFE - FDA	036ZD010PTF
	PTFE - USP 70	036ZD010PT70
	PTFE - USP 121	036ZD010PT121
	SILICONE FDA	036ZD010SIF
	SILICONE USP 70	036ZD010SI70
	SILICONE USP 121	036ZD010SI121
	EPDM FDA	036ZD010EPF
	EPDM USP 70	036ZD010EP70
	FPM/FKM	036ZD010V
	FPM/FKM USP 70	036ZD010V70
DN 15	PTFE - FDA	036ZD015PTF
	PTFE - USP 70	036ZD015PT70
	PTFE - USP 121	036ZD015PT121
	SILICONE FDA	036ZD015SIF
	SILICONE USP 70	036ZD015SI70
	SILICONE USP 121	036ZD015SI121
	EPDM FDA	036ZD015EPF
	EPDM USP 70	036ZD015EP70
	FPM/FKM	036ZD015V
	FPM/FKM USP 70	036ZD015V70
DN 20	PTFE - FDA	036ZD020PTF
	PTFE - USP 70	036ZD020PT70
	PTFE - USP 121	036ZD020PT121
	SILICONE FDA	036ZD020SIF
	SILICONE USP 70	036ZD020SI70
	SILICONE USP 121	036ZD020SI121
	EPDM FDA	036ZD020EPF
	EPDM USP 70	036ZD020EP70
	FPM/FKM	036ZD020V
	FPM/FKM USP 70	036ZD020V70

Size	Material	Code
DN 25	PTFE - FDA	036ZD025PTF
	PTFE - USP 70	036ZD025PT70
	PTFE - USP 121	036ZD025PT121
	SILICONE FDA	036ZD025SIF
	SILICONE USP 70	036ZD025SI70
	SILICONE USP 121	036ZD025SI121
	EPDM FDA	036ZD025EPF
	EPDM USP 70	036ZD025EP70
	FPM/FKM	036ZD025V
	FPM/FKM USP 70	036ZD025V70
DN 32	PTFE - FDA	036ZD032PTF
	PTFE - USP 70	036ZD032PT70
	PTFE - USP 121	036ZD032PT121
	SILICONE FDA	036ZD032SIF
	SILICONE USP 70	036ZD032SI70
	SILICONE USP 121	036ZD032SI121
	EPDM FDA	036ZD032EPF
	EPDM USP 70	036ZD032EP70
	FPM/FKM	036ZD032V
	FPM/FKM USP 70	036ZD032V70
DN 40	PTFE - FDA	036ZD040PTF
	PTFE - USP 70	036ZD040PT70
	PTFE - USP 121	036ZD040PT121
	SILICONE FDA	036ZD040SIF
	SILICONE USP 70	036ZD040SI70
	SILICONE USP 121	036ZD040SI121
	EPDM FDA	036ZD040EPF
	EPDM USP 70	036ZD040EP70
	FPM/FKM	036ZD040V
	FPM/FKM USP 70	036ZD040V70

ISO 1127

Size	Material	Code
DN 8	PTFE - FDA	036ZI008PTF
	PTFE - USP 70	036ZI008PT70
	PTFE - USP 121	036ZI008PT121
	SILICONE FDA	036ZI008SIF
	SILICONE USP 70	036ZI008SI70
	SILICONE USP 121	036ZI008SI121
	EPDM FDA	036ZI008EPF
	EPDM USP 70	036ZI008EP70
	FPM/FKM	036ZI008V
	FPM/FKM USP 70	036ZI008V70
DN 10	PTFE - FDA	036ZI010PTF
	PTFE - USP 70	036ZI010PT70
	PTFE - USP 121	036ZI010PT121
	SILICONE FDA	036ZI010SIF
	SILICONE USP 70	036ZI010SI70
	SILICONE USP 121	036ZI010SI121
	EPDM FDA	036ZI010EPF
	EPDM USP 70	036ZI010EP70
	FPM/FKM	036ZI010V
	FPM/FKM USP 70	036ZI010V70
DN 15	PTFE - FDA	036ZI015PTF
	PTFE - USP 70	036ZI015PT70
	PTFE - USP 121	036ZI015PT121
	SILICONE FDA	036ZI015SIF
	SILICONE USP 70	036ZI015SI70
	SILICONE USP 121	036ZI015SI121
	EPDM FDA	036ZI015EPF
	EPDM USP 70	036ZI015EP70
	FPM/FKM	036ZI015V
	FPM/FKM USP 70	036ZI015V70

Size	Material	Code
DN 20	PTFE - FDA	036ZI020PTF
	PTFE - USP 70	036ZI020PT70
	PTFE - USP 121	036ZI020PT121
	SILICONE FDA	036ZI020SIF
	SILICONE USP 70	036ZI020SI70
	SILICONE USP 121	036ZI020SI121
	EPDM FDA	036ZI020EPF
	EPDM USP 70	036ZI020EP70
	FPM/FKM	036ZI020V
	FPM/FKM USP 70	036ZI020V70
DN 25	PTFE - FDA	036ZI025PTF
	PTFE - USP 70	036ZI025PT70
	PTFE - USP 121	036ZI025PT121
	SILICONE FDA	036ZI025SIF
	SILICONE USP 70	036ZI025SI70
	SILICONE USP 121	036ZI025SI121
	EPDM FDA	036ZI025EPF
	EPDM USP 70	036ZI025EP70
	FPM/FKM	036ZI025V
	FPM/FKM USP 70	036ZI025V70
DN 32	PTFE - FDA	036ZI032PTF
	PTFE - USP 70	036ZI032PT70
	PTFE - USP 121	036ZI032PT121
	SILICONE FDA	036ZI032SIF
	SILICONE USP 70	036ZI032SI70
	SILICONE USP 121	036ZI032SI121
	EPDM FDA	036ZI032EPF
	EPDM USP 70	036ZI032EP70
	FPM/FKM	036ZI032V
	FPM/FKM USP 70	036ZI032V70