



ASTM A270 Tri-Clamp - Flange design according to ASME-BPE

Size	Ø A	Ø B	L	Body Material	Gasket Material	Code
1/2"	25,00	9,40	70,00	1.4404	PTFE - USP 70	048Z60050PT70
					PTFE - USP 121	048Z60050PT121
				1.4435-BN2	PTFE - USP 70	048Z50050PT70
					PTFE - USP 121	048Z50050PT121
3/4"	25,00	15,75	70,00	1.4404	PTFE - USP 70	048Z60075PT70
					PTFE - USP 121	048Z60075PT121
				1.4435-BN2	PTFE - USP 70	048Z50075PT70
					PTFE - USP 121	048Z50075PT121
1"	50,50	22,10	85,00	1.4404	PTFE - USP 70	048Z60100PT70
					PTFE - USP 121	048Z60100PT121
				1.4435-BN2	PTFE - USP 70	048Z50100PT70
					PTFE - USP 121	048Z50100PT121
1.1/2"	50,50	34,80	90,00	1.4404	PTFE - USP 70	048Z60150PT70
					PTFE - USP 121	048Z60150PT121
				1.4435-BN2	PTFE - USP 70	048Z50150PT70
					PTFE - USP 121	048Z50150PT121
2"	64,00	47,50	125,00	1.4404	PTFE - USP 70	048Z60200PT70
					PTFE - USP 121	048Z60200PT121
				1.4435-BN2	PTFE - USP 70	048Z50200PT70
					PTFE - USP 121	048Z50200PT121
2.1/2"	77,40	60,20	125,00	1.4404	PTFE - USP 70	048Z60250PT70
					PTFE - USP 121	048Z60250PT121
				1.4435-BN2	PTFE - USP 70	048Z50250PT70
					PTFE - USP 121	048Z50250PT121

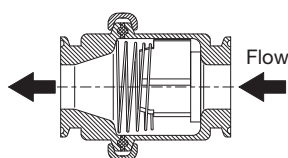
Int. finishing:  $Ra \leq 0,4 \mu m$   
Ext. finishing:  $Ra \leq 0,8 \mu m$  Mirror Polished

Max Working Conditions:  
**10 bar (120 psi) and 150°C (300°F)**

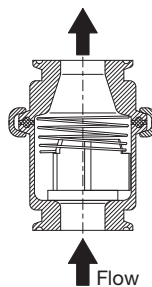
Gaskets:  
**USP CLASS VI - 70° PTFE**  
or **USP CLASS VI - 121° PTFE**

Minimum opening pressure - Indicative data only

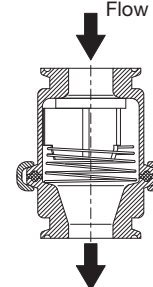
Horizontal assembly



Vertical assembly - Rising flow



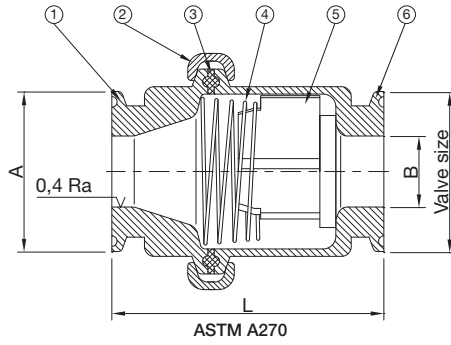
Vertical assembly - Down flow



Size	BAR	PSI	KPA
1/2"	0,025	0,36	2,5
3/4"	0,020	0,29	2
1"	0,010	0,15	1
1.1/2"	0,010	0,15	1
2"	0,010	0,15	1
2.1/2"	0,010	0,15	1

Size	BAR	PSI	KPA
1/2"	0,030	0,44	3
3/4"	0,025	0,36	2,5
1"	0,025	0,36	2,5
1.1/2"	0,025	0,36	2,5
2"	0,025	0,36	2,5
2.1/2"	0,030	0,44	3

Size	BAR	PSI	KPA
1/2"	0,010	0,15	1
3/4"	0,010	0,15	1
1"	0,010	0,15	1
1.1/2"	0,010	0,15	1
2"	0,015	0,22	1,5
2.1/2"	0,015	0,22	1,5



N°	Name	Material
1	Short Body	AISI 316L
2	Clamp	AISI 304
3	Clamp Gasket	PTFE*
4	Spring	AISI 316L or AISI 316
5	Piston	PTFE*
6	Long Body	AISI 316L

Flange accordig to Asme BPE  
\* FDA approved as standard

N°	Description	Valve size	Code
2	Clamp n° 1 pcs	1/2"	034Z40100
		3/4"	034Z40100
		1"	034Z40200
		1.1/2"	034Z40200
		2"	034Z40300
		2.1/2"	034Z40300
3	Tri-Clamp Gasket PTFE - USP 70° n° 1 pcs	1/2"	036Z0150PT70
		3/4"	036Z0150PT70
		1"	036Z0200PT70
		1.1/2"	036Z0200PT70
		2"	036Z0300PT70
		2.1/2"	036Z0300PT70
3	Tri-Clamp Gasket PTFE - USP 121° n° 1 pcs	1/2"	036Z0150PT121
		3/4"	036Z0150PT121
		1"	036Z0200PT121
		1.1/2"	036Z0200PT121
		2"	036Z0300PT121
		2.1/2"	036Z0300PT121
4	Spring n° 1 pcs	1/2"	0486005004
		3/4"	0486005004
		1"	0486010004
		1.1/2"	0486010004
		2"	0486020004
		2.1/2"	0486020004
5	Piston PTFE - USP 70° n° 1 pcs	1/2"	048X005005PT70
		3/4"	048X005005PT70
		1"	048X010005PT70
		1.1/2"	048X010005PT70
		2"	048X020005PT70
		2.1/2"	048X020005PT70
5	Piston PTFE - USP 121° n° 1 pcs	1/2"	048X005005PT121
		3/4"	048X005005PT121
		1"	048X010005PT121
		1.1/2"	048X010005PT121
		2"	048X020005PT121
		2.1/2"	048X020005PT121