



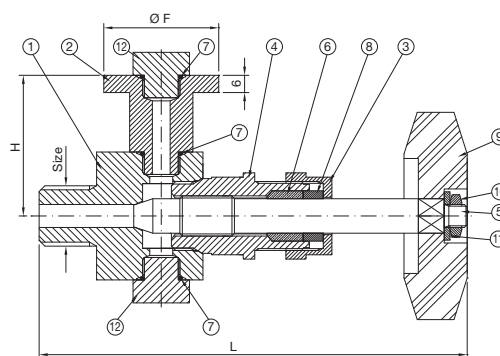
Male Gas Threaded BSPP

Size	L	H	Ø F	Valve Material	Gasket Material	Code
3/8"	144,00	48,00	40,00	1.4404	PTFE - FDA + FPM/FKM	054Z60037PT70
1/2"	144,00	48,00	40,00	1.4404	PTFE - FDA + FPM/FKM	054Z60050PT70

Int. finishing: $Ra \leq 1,6 \mu m$
 Ext. finishing: $Ra \leq 1,6 \mu m$

Max Working Conditions:
10 bar (120 psi) and 150°C (300°F)

Spare Parts



N°	Name	Material
1	Body	AISI 316L
2	Flange	AISI 316L
3	Cap	AISI 316L
4	Rod Valve Guide	AISI 316L
5	Rod Working Valve	AISI 316L
6	Piston Gasket	PTFE
7	O-Ring 3043	FPM/FKM
8	Stainless-steel Ring	AISI 316L
9	Handle	BAKELITE
10	M6 Nut	AISI 304
11	M6 Washer	AISI 304
12	1/4" Hexagonal Cap	AISI 316L

N°	Description	Valve size	Code
2	Flange - n° 1 pcs	all sizes	0546000002
3	Cap - n° 1 pcs	all sizes	0536005004
6	Piston Gasket - PTFE - FDA - n° 1 pcs	all sizes	053X005005PT70
7	O-Ring 3043 FPM/FKM - n° 5 pcs	all sizes	0546X000007V
8	Ring - n° 1 pcs	all sizes	0536005006
9	Handle - n° 1 pcs	all sizes	VCR.192_50-6X6
10	Nut - n° 1 pcs	all sizes	N-A2-M06
11	Washer - n° 1 pcs	all sizes	WA206.50-11.70-01.50
12	Hexagonal Nut - n° 1 pcs	all sizes	0546000012