



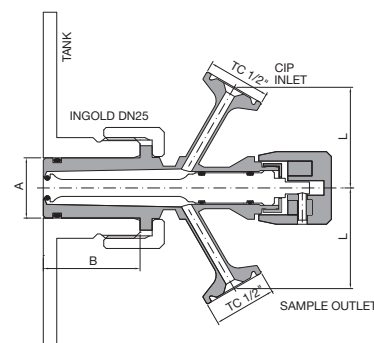
ASTM A270 Tri-Clamp - Flange design according to ASME-BPE

Size	Ø A	B	L	Valve Material	O-Rings Material	Code
DN 25	25,00	40,00	41,00	1.4404	FPM/FKM	091E6IN025V
					EPDM	091E6IN025EP
					SILICONE FDA	091E6IN025SIF
					SILICONE USP 121	091E6IN025SI121

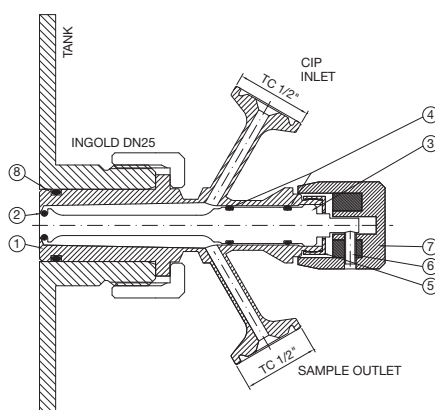
Int. finishing: **Ra ≤ 0,4 µm**
Ext. finishing: **Ra ≤ 0,8 µm Mirror Polished**

Max Working Conditions:
12 bar (170 psi) and 150°C (300°F)

Installation:
Horizontal installation recommended



Spare parts



N°	Name	Material
1	Body	AISI 316L
2	O-Ring 3021	FPM/FKM or EPDM or SILICONE FDA or SILICONE USP 121
3	Piston	AISI 316L
4	O-Ring 2037	FPM/FKM or EPDM or SILICONE FDA or SILICONE USP 121
5	Ring	AISI 316L
6	Grub Screw M4	AISI 304
7	Handle	PTFE + INOX
8	O-Ring 3081	FPM/FKM or EPDM or SILICONE FDA or SILICONE USP 121

N°	Description	Valve size	Code
2+4	O-Ring Kit 3021 / 2037 / 3081 FPM/FKM - n° 10 + 20 + 10 pcs	all sizes	ORSV102010V
2+4	O-Ring Kit 3021 / 2037 / 3081 EPDM - n° 10 + 20 + 10 pcs	all sizes	ORSV102010EP
2+4	O-Ring Kit 3021 / 2037 / 3081 SILICONE FDA - n° 10 + 20 + 10 pcs	all sizes	ORSV102010SIF
2+4	O-Ring Kit 3021 / 2037 / 3081 SILICONE USP 121° - n° 10 + 20 + 10 pcs	all sizes	ORSV102010SI121
5	Ring - n° 1 pcs	all sizes	AAAA0090
6	Grub Screw M4 Kit - n° 10 pcs	all sizes	ORSVM4X10
7	Handle PTFE + INOX - n° 1 pcs	all sizes	ORSVHA1



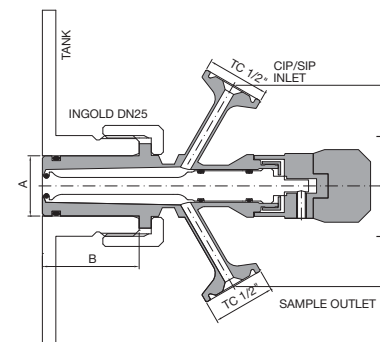
ASTM A270 Tri-Clamp - Flange design according to ASME-BPE

Size	Ø A	B	L	Valve Material	O-Rings Material	Code
DN 25	25,00	40,00	41,00	1.4404	FPM/FKM	091F6IN025V
					EPDM	091F6IN025EP
					SILICONE FDA	091F6IN025SIF
					SILICONE USP 121	091F6IN025SI121

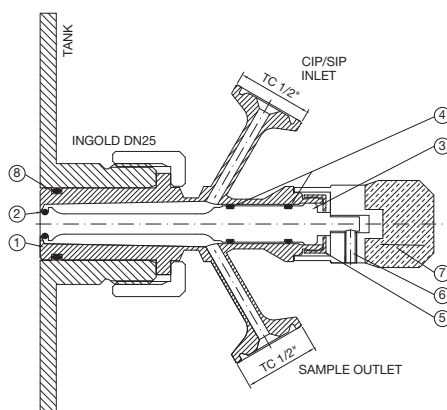
Int. finishing: **Ra ≤ 0,4 µm**
Ext. finishing: **Ra ≤ 0,8 µm Mirror Polished**

Max Working Conditions:
12 bar (170 psi) and 150°C (300°F)

Installation:
Horizontal installation recommended



Spare parts



N°	Name	Material
1	Body	AISI 316L
2	O-Ring 3021	FPM/FKM or EPDM or SILICONE FDA or SILICONE USP 121
3	Piston	AISI 316L
4	O-Ring 2037	FPM/FKM or EPDM or SILICONE FDA or SILICONE USP 121
5	Ring	AISI 316L
6	Grub Screw M4	AISI 304
7	Removable Handle	PTFE + INOX
8	O-Ring 3081	FPM/FKM or EPDM or SILICONE FDA or SILICONE USP 121

N°	Description	Valve size	Code
2+4	O-Ring Kit 3021 / 2037 / 3081 FPM/FKM - n° 10 + 20 + 10 pcs	all sizes	ORSV102010V
2+4	O-Ring Kit 3021 / 2037 / 3081 EPDM - n° 10 + 20 + 10 pcs	all sizes	ORSV102010EP
2+4	O-Ring Kit 3021 / 2037 / 3081 SILICONE FDA - n° 10 + 20 + 10 pcs	all sizes	ORSV102010SIF
2+4	O-Ring Kit 3021 / 2037 / 3081 SILICONE USP 121 - n° 10 + 20 + 10 pcs	all sizes	ORSV102010SI121
5	Ring - n° 1 pcs	all sizes	AAAA0090
6	Grub Screw M4 Kit - n° 10 pcs	all sizes	ORSVM4X10
7	Removable Handle PTFE + INOX - n° 1 pcs	all sizes	091F600007PTF