

// The axial path flow sampler  
for chemical and  
microbiological analysis



# INLINE SAMPLING VALVES

---



.....  
**ART. 057**  
 Inline 180° O-Ring  
 Sampling Valves  
 .....  
 P. 020



.....  
**ART. 058**  
 Inline 30° O-Ring  
 Sampling Valves  
 .....  
 P. 022

.....  
**Characteristics.** Inline sanitary sampling valves are designed for sampling of liquids on pharmaceutical, chemical, F&B and cosmetics products. It's special design prevents deposits of particles in correspondence of the sampling hole, the valve takes the sample from the middle of the line where is installed, avoiding alteration. Used for chemical and microbiological analysis. Metal closing system for Art. 037, O-Ring closing system for Art. 057 and Art. 058.  
 .....

**Documentation.** Laser marking for traceability and validation processes. Material 3.1 certificates, FDA or USP, internal surface finishing check as standard.  
 .....

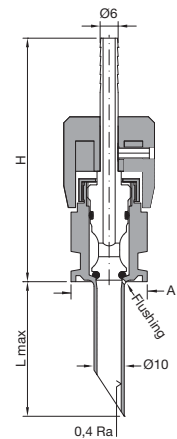


ASTM A270 Tri-Clamp - Flange design according to ASME-BPE  
DIN 32676 Tri-Clamp  
ISO 1127 Tri-Clamp

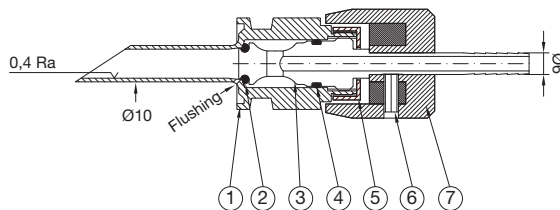
Ø A	H	L max	Valve Material	O-Rings Material	Code
25,00	53,00	80,00	1.4404	FPM/FKM	<b>057A6TC25V</b>
				EPDM	<b>057A6TC25EP</b>
				SILICONE FDA	<b>057A6TC25SIF</b>
				SILICONE USP 121	<b>057A6TC25SI121</b>
34,00	56,00	80,00	1.4404	FPM/FKM	<b>057A6TC34V</b>
				EPDM	<b>057A6TC34EP</b>
				SILICONE FDA	<b>057A6TC34SIF</b>
				SILICONE USP 121	<b>057A6TC34SI121</b>
50,50	56,00	80,00	1.4404	FPM/FKM	<b>057A6TC50V</b>
				EPDM	<b>057A6TC50EP</b>
				SILICONE FDA	<b>057A6TC50SIF</b>
				SILICONE USP 121	<b>057A6TC50SI121</b>

Int. finishing: **Ra ≤ 0,4 µm**  
Ext. finishing: **Ra ≤ 0,8 µm Mirror Polished**

Max Working Conditions:  
**12 bar (170 psi) and 150°C (300°F)**



Spare parts



N°	Name	Material
1	Body	AISI 316L
2	O-Ring 3021	FPM/FKM or EPDM or SILICONE FDA or SILICONE USP 121
3	Piston	AISI 316L
4	O-Ring 2037	FPM/FKM or EPDM or SILICONE FDA or SILICONE USP 121
5	Ring	AISI 316L
6	Grub Screw M4	AISI 304
7	Handle	PTFE + INOX

N°	Description	Valve size	Code
2+4	O-Ring Kit 3021 / 2037 FPM/FKM - n° 10 + 10 pcs	all sizes	<b>ORSV1010V</b>
2+4	O-Ring Kit 3021 / 2037 EPDM - n° 10 + 10 pcs	all sizes	<b>ORSV1010EP</b>
2+4	O-Ring Kit 3021 / 2037 SILICONE FDA - n° 10 + 10 pcs	all sizes	<b>ORSV1010SIF</b>
2+4	O-Ring Kit 3021 / 2037 SILICONE USP 121° - n° 10 + 10 pcs	all sizes	<b>ORSV1010SI121</b>
5	Ring - n° 1 pcs	all sizes	<b>AAAA0090</b>
6	Grub Screw M4 Kit - n° 10 pcs	all sizes	<b>ORSVM4X10</b>
7	Handle PTFE + INOX - n° 1 pcs	all sizes	<b>ORSVHA2</b>

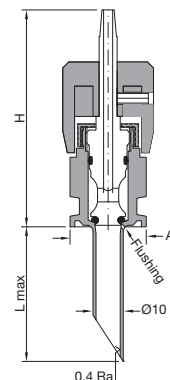


ASTM A270 Tri-Clamp - Flange design according to ASME-BPE  
DIN 32676 Tri-Clamp  
ISO 1127 Tri-Clamp

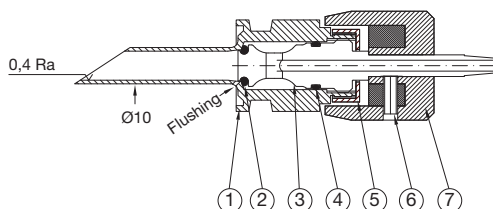
Ø A	H	L max	Valve Material	O-Rings Material	Code
25,00	53,00	80,00	1.4404	FPM/FKM	<b>057G6TC25V</b>
				EPDM	<b>057G6TC25EP</b>
				SILICONE FDA	<b>057G6TC25SIF</b>
				SILICONE USP 121	<b>057G6TC25SI121</b>
34,00	56,00	80,00	1.4404	FPM/FKM	<b>057G6TC34V</b>
				EPDM	<b>057G6TC34EP</b>
				SILICONE FDA	<b>057G6TC34SIF</b>
				SILICONE USP 121	<b>057G6TC34SI121</b>
50,50	56,00	80,00	1.4404	FPM/FKM	<b>057G6TC50V</b>
				EPDM	<b>057G6TC50EP</b>
				SILICONE FDA	<b>057G6TC50SIF</b>
				SILICONE USP 121	<b>057G6TC50SI121</b>

Int. finishing: **Ra ≤ 0,4 µm**  
Ext. finishing: **Ra ≤ 0,8 µm Mirror Polished**

Max Working Conditions:  
**12 bar (170 psi) and 150°C (300°F)**



Spare parts



N°	Name	Material
1	Body	AISI 316L
2	O-Ring 3021	FPM/FKM or EPDM or SILICONE FDA or SILICONE USP 121
3	Piston	AISI 316L
4	O-Ring 2037	FPM/FKM or EPDM or SILICONE FDA or SILICONE USP 121
5	Ring	AISI 316L
6	Grub Screw M4	AISI 304
7	Handle	PTFE + INOX

N°	Description	Valve size	Code
2+4	O-Ring Kit 3021 / 2037 FPM/FKM - n° 10 + 10 pcs	all sizes	<b>ORSV1010V</b>
2+4	O-Ring Kit 3021 / 2037 EPDM - n° 10 + 10 pcs	all sizes	<b>ORSV1010EP</b>
2+4	O-Ring Kit 3021 / 2037 SILICONE FDA - n° 10 + 10 pcs	all sizes	<b>ORSV1010SIF</b>
2+4	O-Ring Kit 3021 / 2037 SILICONE USP 121 - n° 10 + 10 pcs	all sizes	<b>ORSV1010SI121</b>
5	Ring - n° 1 pcs	all sizes	<b>AAAA0090</b>
6	Grub Screw M4 Kit - n° 10 pcs	all sizes	<b>ORSVM4X10</b>
7	Handle PTFE + INOX - n° 1 pcs	all sizes	<b>ORSVHA2</b>

# 058

ART.

INLINE SAMPLING VALVES



## INLINE 30° O-RING SAMPLING VALVES

**Characteristics:** Inline sanitary sampling valves are designed for sampling of liquids on pharmaceutical, chemical, F&B and cosmetics products. It's special design prevents deposits of particles in correspondence of the sampling hole, the valve takes the sample from the middle of the line where is installed, avoiding alteration. Used for chemical and microbiological analysis.

**Documentation:** Laser marking for traceability and validation processes. Material 3.1 certificates, FDA or USP, internal surface finishing check as standard.

1 HOSE BARB OUTLET



**ART. 058/A**  
P. 024

1 TRI-CLAMP OUTLET



**ART. 058/B**  
P. 025

1 HOSE BARB OUTLET  
+ 1 CIP HOSE BARB INLET



**ART. 058/C**  
P. 026

1 HOSE BARB OUTLET  
+ 1 CIP TRI-CLAMP INLET



**ART. 058/D**  
P. 027

1 TRI-CLAMP OUTLET  
+ 1 CIP TRI-CLAMP INLET



**ART. 058/E**  
P. 028

1 LUER OUTLET



**ART. 058/G**  
P. 029

1 LUER OUTLET  
+ 1 CIP TRI-CLAMP INLET



**ART. 058/H**  
P. 030



**IMPORTANT NOTES:**  
Select L (Left) or R (Right) or UP (Up) design. Codes showed on this catalog are for "right to left" (R) flow. Change last letter on the code tab to order valves with correct flow.



Select L (Left) or R (Right) or UP (Up) design. Codes showed on this catalog are for "right to left" (R) flow. Change last letter on the code tab to order valves with correct flow.

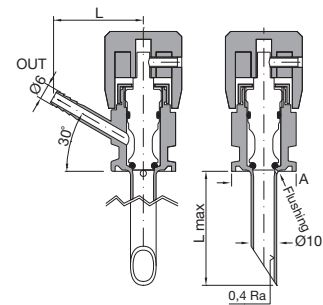
ASTM A270 Tri-Clamp - Flange design according to ASME-BPE  
DIN 32676 Tri-Clamp  
ISO 1127 Tri-Clamp

Ø A	L	L max	Valve Material	O-Rings Material	Code
25,00	35,00	80,00	1.4404	FPM/FKM	058A6TC25VR
				EPDM	058A6TC25EPR
				SILICONE FDA	058A6TC25SIFR
				SILICONE USP 121	058A6TC25SI121R
34,00	35,00	80,00	1.4404	FPM/FKM	058A6TC34VR
				EPDM	058A6TC34EPR
				SILICONE FDA	058A6TC34SIFR
				SILICONE USP 121	058A6TC34SI121R
50,50	41,00	80,00	1.4404	FPM/FKM	058A6TC50VR
				EPDM	058A6TC50EPR
				SILICONE FDA	058A6TC50SIFR
				SILICONE USP 121	058A6TC50SI121R

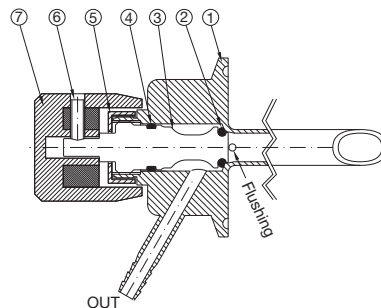
Int. finishing: Ra ≤ 0,4 µm  
Ext. finishing: Ra ≤ 0,8 µm Mirror Polished

Max Working Conditions:  
12 bar (170 psi) and 150°C (300°F)

Installation:  
Check correct flow direction during assembly  
Horizontal installation recommended



Spare parts



N°	Name	Material
1	Body	AISI 316L
2	O-Ring 3021	FPM/FKM or EPDM or SILICONE FDA or SILICONE USP 121
3	Piston	AISI 316L
4	O-Ring 2037	FPM/FKM or EPDM or SILICONE FDA or SILICONE USP 121
5	Ring	AISI 316L
6	Grub Screw M4	AISI 304
7	Handle	PTFE + INOX

N°	Description	Valve size	Code
2+4	O-Ring Kit 3021 / 2037 FPM/FKM - n° 10 + 10 pcs	all sizes	ORSV1010V
2+4	O-Ring Kit 3021 / 2037 EPDM - n° 10 + 10 pcs	all sizes	ORSV1010EP
2+4	O-Ring Kit 3021 / 2037 SILICONE FDA - n° 10 + 10 pcs	all sizes	ORSV1010SIF
2+4	O-Ring Kit 3021 / 2037 SILICONE USP 121° - n° 10 + 10 pcs	all sizes	ORSV1010SI121
5	Ring - n° 1 pcs	all sizes	AAAA0090
6	Grub Screw M4 Kit - n° 10 pcs	all sizes	ORSVM4X10
7	Handle PTFE + INOX - n° 1 pcs	all sizes	ORSVHA1



Select L (Left) or R (Right) or UP (Up) design. Codes showed on this catalog are for "right to left" (R) flow. Change last letter on the code tab to order valves with correct flow.

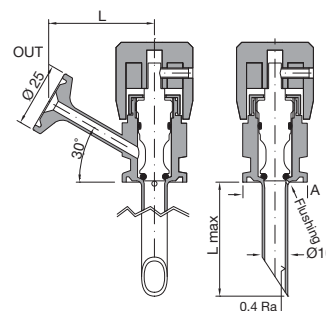
ASTM A270 Tri-Clamp - Flange design according to ASME-BPE  
DIN 32676 Tri-Clamp  
ISO 1127 Tri-Clamp

Ø A	L	L max	Valve Material	O-Rings Material	Code
25,00	46,00	80,00	1.4404	FPM/FKM	<b>058B6TC25VR</b>
				EPDM	<b>058B6TC25EPR</b>
				SILICONE FDA	<b>058B6TC25SIFR</b>
				SILICONE USP 121	<b>058B6TC25SI121R</b>
34,00	46,00	80,00	1.4404	FPM/FKM	<b>058B6TC34VR</b>
				EPDM	<b>058B6TC34EPR</b>
				SILICONE FDA	<b>058B6TC34SIFR</b>
				SILICONE USP 121	<b>058B6TC34SI121R</b>
50,50	52,00	80,00	1.4404	FPM/FKM	<b>058B6TC50VR</b>
				EPDM	<b>058B6TC50EPR</b>
				SILICONE FDA	<b>058B6TC50SIFR</b>
				SILICONE USP 121	<b>058B6TC50SI121R</b>

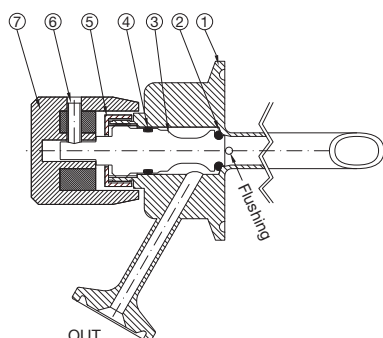
Int. finishing:  $Ra \leq 0,4 \mu m$   
Ext. finishing:  $Ra \leq 0,8 \mu m$  Mirror Polished

Max Working Conditions:  
**12 bar (170 psi) and 150°C (300°F)**

Installation:  
**Check correct flow direction during assembly**  
**Horizontal installation recommended**



Spare parts



N°	Name	Material
1	Body	AISI 316L
2	O-Ring 3021	FPM/FKM or EPDM or SILICONE FDA or SILICONE USP 121
3	Piston	AISI 316L
4	O-Ring 2037	FPM/FKM or EPDM or SILICONE FDA or SILICONE USP 121
5	Ring	AISI 316L
6	Grub Screw M4	AISI 304
7	Handle	PTFE + INOX

N°	Description	Valve size	Code
2+4	O-Ring Kit 3021 / 2037 FPM/FKM - n° 10 + 10 pcs	all sizes	<b>ORSV1010V</b>
2+4	O-Ring Kit 3021 / 2037 EPDM - n° 10 + 10 pcs	all sizes	<b>ORSV1010EP</b>
2+4	O-Ring Kit 3021 / 2037 SILICONE FDA - n° 10 + 10 pcs	all sizes	<b>ORSV1010SIF</b>
2+4	O-Ring Kit 3021 / 2037 SILICONE USP 121° - n° 10 + 10 pcs	all sizes	<b>ORSV1010SI121</b>
5	Ring - n° 1 pcs	all sizes	<b>AAAA0090</b>
6	Grub Screw M4 Kit - n° 10 pcs	all sizes	<b>ORSVM4X10</b>
7	Handle PTFE + INOX - n° 1 pcs	all sizes	<b>ORSVHA1</b>



Select **L (Left)** or **R (Right)** or **UP (Up)** design. Codes showed on this catalog are for "right to left" (R) flow. Change last letter on the code tab to order valves with correct flow.

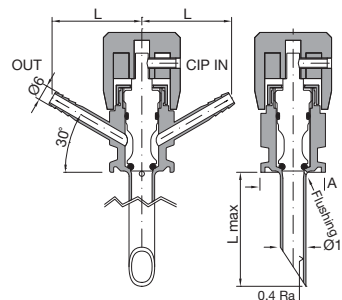
ASTM A270 Tri-Clamp - Flange design according to ASME-BPE  
DIN 32676 Tri-Clamp  
ISO 1127 Tri-Clamp

Ø A	L	L max	Valve Material	O-Rings Material	Code
25,00	35,00	80,00	1.4404	FPM/FKM	<b>058C6TC25VR</b>
				EPDM	<b>058C6TC25EPR</b>
				SILICONE FDA	<b>058C6TC25SIFR</b>
				SILICONE USP 121	<b>058C6TC25SI121R</b>
34,00	35,00	80,00	1.4404	FPM/FKM	<b>058C6TC34VR</b>
				EPDM	<b>058C6TC34EPR</b>
				SILICONE FDA	<b>058C6TC34SIFR</b>
				SILICONE USP 121	<b>058C6TC34SI121R</b>
50,50	41,00	80,00	1.4404	FPM/FKM	<b>058C6TC50VR</b>
				EPDM	<b>058C6TC50EPR</b>
				SILICONE FDA	<b>058C6TC50SIFR</b>
				SILICONE USP 121	<b>058C6TC50SI121R</b>

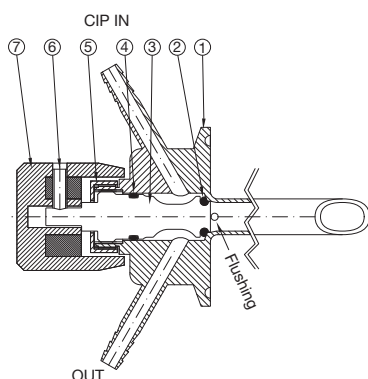
Int. finishing: **Ra ≤ 0,4 µm**  
Ext. finishing: **Ra ≤ 0,8 µm Mirror Polished**

Max Working Conditions:  
**12 bar (170 psi) and 150°C (300°F)**

Installation:  
**Check correct flow direction during assembly**  
**Horizontal installation recommended**



Spare parts



N°	Name	Material
1	Body	AISI 316L
2	O-Ring 3021	FPM/FKM or EPDM or SILICONE FDA or SILICONE USP 121
3	Piston	AISI 316L
4	O-Ring 2037	FPM/FKM or EPDM or SILICONE FDA or SILICONE USP 121
5	Ring	AISI 316L
6	Grub Screw M4	AISI 304
7	Handle	PTFE + INOX

N°	Description	Valve size	Code
2+4	O-Ring Kit 3021 / 2037 FPM/FKM - n° 10 + 10 pcs	all sizes	<b>ORSV1010V</b>
2+4	O-Ring Kit 3021 / 2037 EPDM - n° 10 + 10 pcs	all sizes	<b>ORSV1010EP</b>
2+4	O-Ring Kit 3021 / 2037 SILICONE FDA - n° 10 + 10 pcs	all sizes	<b>ORSV1010SIF</b>
2+4	O-Ring Kit 3021 / 2037 SILICONE USP 121 - n° 10 + 10 pcs	all sizes	<b>ORSV1010SI121</b>
5	Ring - n° 1 pcs	all sizes	<b>AAAA0090</b>
6	Grub Screw M4 Kit - n° 10 pcs	all sizes	<b>ORSVM4X10</b>
7	Handle PTFE + INOX - n° 1 pcs	all sizes	<b>ORSVHA1</b>





Select L (Left) or R (Right) or UP (Up) design. Codes showed on this catalog are for "right to left" (R) flow. Change last letter on the code tab to order valves with correct flow.

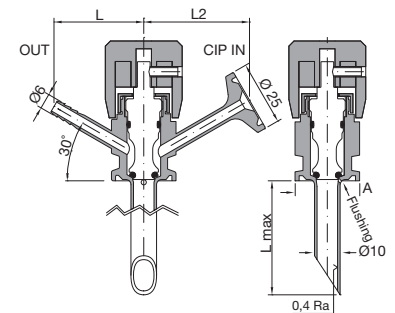
ASTM A270 Tri-Clamp - Flange design according to ASME-BPE  
DIN 32676 Tri-Clamp  
ISO 1127 Tri-Clamp

Ø A	L	L2	L max	Valve Material	O-Rings Material	Code
25,00	35,00	46,00	80,00	1.4404	FPM/FKM	058D6TC25VR
					EPDM	058D6TC25EPR
					SILICONE FDA	058D6TC25SIFR
					SILICONE USP 121	058D6TC25SI121R
34,00	35,00	46,00	80,00	1.4404	FPM/FKM	058D6TC34VR
					EPDM	058D6TC34EPR
					SILICONE FDA	058D6TC34SIFR
					SILICONE USP 121	058D6TC34SI121R
50,50	41,00	52,00	80,00	1.4404	FPM/FKM	058D6TC50VR
					EPDM	058D6TC50EPR
					SILICONE FDA	058D6TC50SIFR
					SILICONE USP 121	058D6TC50SI121R

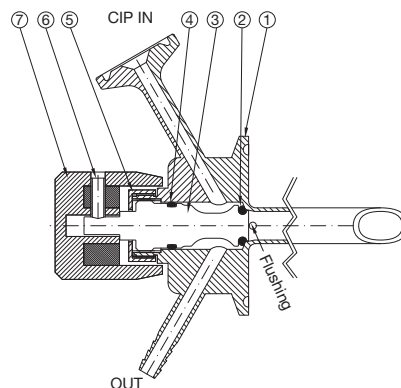
Int. finishing: Ra ≤ 0,4 µm  
Ext. finishing: Ra ≤ 0,8 µm Mirror Polished

Max Working Conditions:  
12 bar (170 psi) and 150°C (300°F)

Installation:  
Check correct flow direction during assembly  
Horizontal installation recommended



Spare parts



N°	Name	Material
1	Body	AISI 316L
2	O-Ring 3021	FPM/FKM or EPDM or SILICONE FDA or SILICONE USP 121
3	Piston	AISI 316L
4	O-Ring 2037	FPM/FKM or EPDM or SILICONE FDA or SILICONE USP 121
5	Ring	AISI 316L
6	Grub Screw M4	AISI 304
7	Handle	PTFE + INOX

N°	Description	Valve size	Code
2+4	O-Ring Kit 3021 / 2037 FPM/FKM - n° 10 + 10 pcs	all sizes	ORSV1010V
2+4	O-Ring Kit 3021 / 2037 EPDM - n° 10 + 10 pcs	all sizes	ORSV1010EP
2+4	O-Ring Kit 3021 / 2037 SILICONE FDA - n° 10 + 10 pcs	all sizes	ORSV1010SIF
2+4	O-Ring Kit 3021 / 2037 SILICONE USP 121° - n° 10 + 10 pcs	all sizes	ORSV1010SI121
5	Ring - n° 1 pcs	all sizes	AAAA0090
6	Grub Screw M4 Kit - n° 10 pcs	all sizes	ORSVM4X10
7	Handle PTFE + INOX - n° 1 pcs	all sizes	ORSVHA1



Select L (Left) or R (Right) or UP (Up) design. Codes showed on this catalog are for "right to left" (R) flow. Change last letter on the code tab to order valves with correct flow.

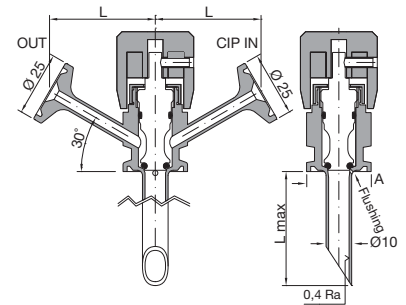
ASTM A270 Tri-Clamp - Flange design according to ASME-BPE  
DIN 32676 Tri-Clamp  
ISO 1127 Tri-Clamp

Ø A	L	L2	L max	Valve Material	O-Rings Material	Code
25,00	35,00	46,00	80,00	1.4404	FPM/FKM	<b>058E6TC25VR</b>
					EPDM	<b>058E6TC25EPR</b>
					SILICONE FDA	<b>058E6TC25SIFR</b>
					SILICONE USP 121	<b>058E6TC25SI121R</b>
34,00	35,00	46,00	80,00	1.4404	FPM/FKM	<b>058E6TC34VR</b>
					EPDM	<b>058E6TC34EPR</b>
					SILICONE FDA	<b>058E6TC34SIFR</b>
					SILICONE USP 121	<b>058E6TC34SI121R</b>
50,50	41,00	52,00	80,00	1.4404	FPM/FKM	<b>058E6TC50VR</b>
					EPDM	<b>058E6TC50EPR</b>
					SILICONE FDA	<b>058E6TC50SIFR</b>
					SILICONE USP 121	<b>058E6TC50SI121R</b>

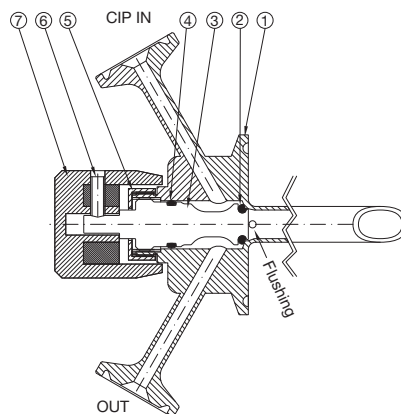
Int. finishing:  $Ra \leq 0,4 \mu m$   
Ext. finishing:  $Ra \leq 0,8 \mu m$  Mirror Polished

Max Working Conditions:  
**12 bar (170 psi) and 150°C (300°F)**

Installation:  
**Check correct flow direction during assembly**  
**Horizontal installation recommended**



Spare parts



N°	Name	Material
1	Body	AISI 316L
2	O-Ring 3021	FPM/FKM or EPDM or SILICONE FDA or SILICONE USP 121
3	Piston	AISI 316L
4	O-Ring 2037	FPM/FKM or EPDM or SILICONE FDA or SILICONE USP 121
5	Ring	AISI 316L
6	Grub Screw M4	AISI 304
7	Handle	PTFE + INOX

N°	Description	Valve size	Code
2+4	O-Ring Kit 3021 / 2037 FPM/FKM - n° 10 + 10 pcs	all sizes	<b>ORSV1010V</b>
2+4	O-Ring Kit 3021 / 2037 EPDM - n° 10 + 10 pcs	all sizes	<b>ORSV1010EP</b>
2+4	O-Ring Kit 3021 / 2037 SILICONE FDA - n° 10 + 10 pcs	all sizes	<b>ORSV1010SIF</b>
2+4	O-Ring Kit 3021 / 2037 SILICONE USP 121° - n° 10 + 10 pcs	all sizes	<b>ORSV1010SI121</b>
5	Ring - n° 1 pcs	all sizes	<b>AAAA0090</b>
6	Grub Screw M4 Kit - n° 10 pcs	all sizes	<b>ORSVM4X10</b>
7	Handle PTFE + INOX - n° 1 pcs	all sizes	<b>ORSVHA1</b>



Select L (Left) or R (Right) or UP (Up) design. Codes showed on this catalog are for "right to left" (R) flow. Change last letter on the code tab to order valves with correct flow.

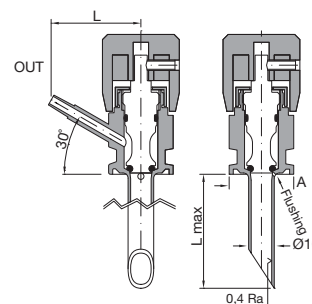
ASTM A270 Tri-Clamp - Flange design according to ASME-BPE  
DIN 32676 Tri-Clamp  
ISO 1127 Tri-Clamp

Ø A	L	L max	Valve Material	O-Rings Material	Code
25,00	35,00	80,00	1.4404	FPM/FKM	<b>058G6TC25VR</b>
				EPDM	<b>058G6TC25EPR</b>
				SILICONE FDA	<b>058G6TC25SIFR</b>
				SILICONE USP 121	<b>058G6TC25SI121R</b>
34,00	35,00	80,00	1.4404	FPM/FKM	<b>058G6TC34VR</b>
				EPDM	<b>058G6TC34EPR</b>
				SILICONE FDA	<b>058G6TC34SIFR</b>
				SILICONE USP 121	<b>058G6TC34SI121R</b>
50,50	41,00	80,00	1.4404	FPM/FKM	<b>058G6TC50VR</b>
				EPDM	<b>058G6TC50EPR</b>
				SILICONE FDA	<b>058G6TC50SIFR</b>
				SILICONE USP 121	<b>058G6TC50SI121R</b>

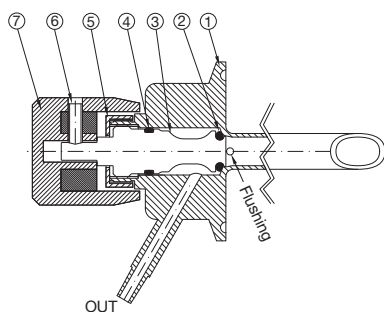
Int. finishing:  $Ra \leq 0,4 \mu m$   
Ext. finishing:  $Ra \leq 0,8 \mu m$  Mirror Polished

Max Working Conditions:  
**12 bar (170 psi) and 150°C (300°F)**

Installation:  
**Check correct flow direction during assembly**  
**Horizontal installation recommended**



Spare parts



N°	Name	Material
1	Body	AISI 316L
2	O-Ring 3021	FPM/FKM or EPDM or SILICONE FDA or SILICONE USP 121
3	Piston	AISI 316L
4	O-Ring 2037	FPM/FKM or EPDM or SILICONE FDA or SILICONE USP 121
5	Ring	AISI 316L
6	Grub Screw M4	AISI 304
7	Handle	PTFE + INOX

N°	Description	Valve size	Code
2+4	O-Ring Kit 3021 / 2037 FPM/FKM - n° 10 + 10 pcs	all sizes	<b>ORSV1010V</b>
2+4	O-Ring Kit 3021 / 2037 EPDM - n° 10 + 10 pcs	all sizes	<b>ORSV1010EP</b>
2+4	O-Ring Kit 3021 / 2037 SILICONE FDA - n° 10 + 10 pcs	all sizes	<b>ORSV1010SIF</b>
2+4	O-Ring Kit 3021 / 2037 SILICONE USP 121° - n° 10 + 10 pcs	all sizes	<b>ORSV1010SI121</b>
5	Ring - n° 1 pcs	all sizes	<b>AAAA0090</b>
6	Grub Screw M4 Kit - n° 10 pcs	all sizes	<b>ORSVM4X10</b>
7	Handle PTFE + INOX - n° 1 pcs	all sizes	<b>ORSVHA1</b>



Select L (Left) or R (Right) or UP (Up) design. Codes showed on this catalog are for "right to left" (R) flow. Change last letter on the code tab to order valves with correct flow.

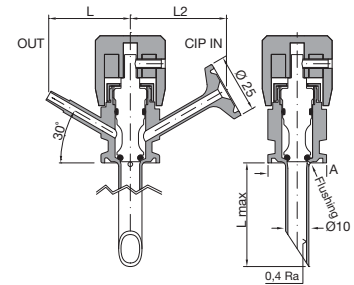
ASTM A270 Tri-Clamp - Flange design according to ASME-BPE  
DIN 32676 Tri-Clamp  
ISO 1127 Tri-Clamp

Ø A	L	L2	L max	Valve Material	O-Rings Material	Code
25,00	35,00	46,00	80,00	1.4404	FPM/FKM	058H6TC25VR
					EPDM	058H6TC25EPR
					SILICONE FDA	058H6TC25SIFR
					SILICONE USP 121	058H6TC25SI121R
34,00	35,00	46,00	80,00	1.4404	FPM/FKM	058H6TC34VR
					EPDM	058H6TC34EPR
					SILICONE FDA	058H6TC34SIFR
					SILICONE USP 121	058H6TC34SI121R
50,50	41,00	52,00	80,00	1.4404	FPM/FKM	058H6TC50VR
					EPDM	058H6TC50EPR
					SILICONE FDA	058H6TC50SIFR
					SILICONE USP 121	058H6TC50SI121R

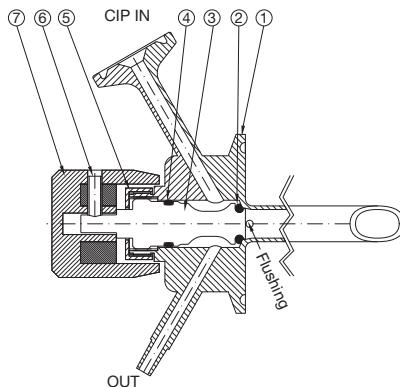
Int. finishing: Ra ≤ 0,4 µm  
Ext. finishing: Ra ≤ 0,8 µm Mirror Polished

Max Working Conditions:  
12 bar (170 psi) and 150°C (300°F)

Installation:  
Check correct flow direction during assembly  
Horizontal installation recommended



Spare parts



N°	Name	Material
1	Body	AISI 316L
2	O-Ring 3021	FPM/FKM or EPDM or SILICONE FDA or SILICONE USP 121
3	Piston	AISI 316L
4	O-Ring 2037	FPM/FKM or EPDM or SILICONE FDA or SILICONE USP 121
5	Ring	AISI 316L
6	Grub Screw M4	AISI 304
7	Handle	PTFE + INOX

N°	Description	Valve size	Code
2+4	O-Ring Kit 3021 / 2037 FPM/FKM - n° 10 + 10 pcs	all sizes	ORSV1010V
2+4	O-Ring Kit 3021 / 2037 EPDM - n° 10 + 10 pcs	all sizes	ORSV1010EP
2+4	O-Ring Kit 3021 / 2037 SILICONE FDA - n° 10 + 10 pcs	all sizes	ORSV1010SIF
2+4	O-Ring Kit 3021 / 2037 SILICONE USP 121 - n° 10 + 10 pcs	all sizes	ORSV1010SI121
5	Ring - n° 1 pcs	all sizes	AAAA0090
6	Grub Screw M4 Kit - n° 10 pcs	all sizes	ORSVM4X10
7	Handle PTFE + INOX - n° 1 pcs	all sizes	ORSVHA1