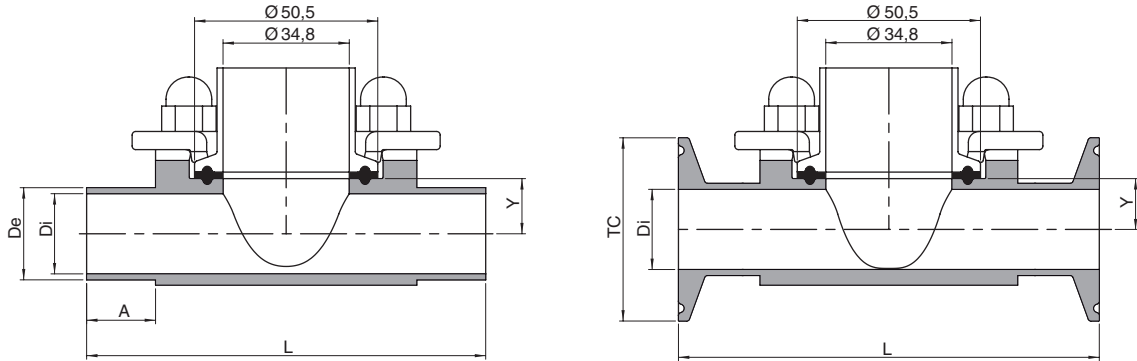


# XCON - ON PIPE ZERO DEAD LEG CONNECTION

TECHNICAL INFORMATION \_ XCON - ON PIPE - ASTM A269-A270



TYPE	CODE	De mm (inch)	Di mm (inch)	TC mm (inch)	L mm (inch)	A mm (inch)	Y mm (inch)
Butt Weld	XBWM-A038-A012-00000	12,70 (0,50)	9,40 (0,37)		110,00 (4,33)	19,00 (0,75)	10,30 (0,41)
	XBWM-A038-A019-00000	19,05 (0,75)	15,75 (0,62)		110,00 (4,33)	19,00 (0,75)	10,90 (0,43)
	XBWM-A038-A025-00000	25,40 (1,00)	22,10 (0,87)		110,00 (4,33)	19,00 (0,75)	14,00 (0,55)
	XBWM-A038-A038-00000	38,10 (1,50)	34,80 (1,37)		110,00 (4,33)	19,00 (0,75)	24,00 (0,94)
	XBWM-A038-A050-00000	50,80 (2,00)	47,50 (1,87)		110,00 (4,33)	19,00 (0,75)	29,00 (1,14)
	XBWM-A038-A063-00000	63,50 (2,50)	60,20 (2,37)		110,00 (4,33)	19,00 (0,75)	35,00 (1,38)
Tri-Clamp	XT25-A038-A012-00000	12,70 (0,50)	9,40 (0,37)	25,00 (0,98)	116,00 (4,57)		10,30 (0,41)
	XT25-A038-A019-00000	19,05 (0,75)	15,75 (0,62)	25,00 (0,98)	116,00 (4,57)		10,90 (0,43)
	XT50-A038-A025-00000	25,40 (1,00)	22,10 (0,87)	50,50 (1,99)	116,00 (4,57)		14,00 (0,55)
	XT50-A038-A038-00000	38,10 (1,50)	34,80 (1,37)	50,50 (1,99)	136,00 (5,35)		24,00 (0,94)
	XT64-A038-A050-00000	50,80 (2,00)	47,50 (1,87)	64,00 (2,52)	136,00 (5,35)		29,00 (1,14)
	XT77-A038-A063-00000	63,50 (2,50)	60,20 (2,37)	77,50 (3,05)	136,00 (5,35)		35,00 (1,38)

**Welding Plate Material:** 1.4404  
**Locking Ring Material:** 1.4404  
**Bolts & Nuts:** 1.4404 / 1.4301  
**Internal finishing:** 0,4 Ra  
**External finishing:** 0,8 Ra  
**Option:** electropolishing

XCON ON PIPE connections have been developed in order to achieve true ZDL connections on process pipings. XCON ON PIPE connections are used for connection of valves, membrane manometers, rupture discs, sampling systems, sensors and other fittings with Tri-Clamp 1.1/2" connection.

Thanks to XCON ON PIPE connections CIP of lines will be fast and effective.

Line connections: TC or BW (Butt Weld for orbital welding). Pipe dimensions acc. to ASTM A269-A270 / ASME BPE

