

TOOLS AND SPARE PARTS

A
B
D
E
F
G
H
I
J
K
L

L 005
CAD Coated S.s. Ring

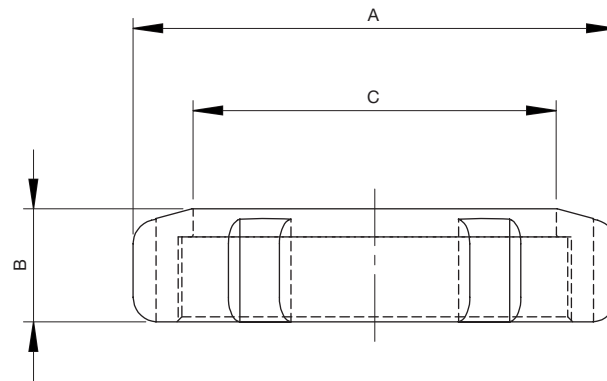
L 010
CAD Wrench

L 015
Cable for Double
Pos. Sensor

L 020
CAD Programmer

TECHNICAL INFORMATION _ CAT. N. YACT RING 0##0 XCOAT

CAD COATED S.S. RING



Clean and Aseptic Valves of CAD Product Line have simple and safe design, with their full drainability, without asymptotic seal and dead leg, are offering fast cleanability and sterilization practices. They are designed to fulfill stringent demands of CIP-SIP and Production Cycles on Aseptic Processing.

CAD Coated Stainless Steel Ring manufactured from solid stock in AISI 316L – 1.4404 with special anti-friction coating, engineered to achieve a perfect load on CAD Diaphragms and Actuators.

CODE	CAD SIZE	A mm (inch)	B mm (inch)	C mm (inch)
YACT-RING-0120-XCOAT	A12	42,00 (1.65)	11,60 (0.46)	29,00 (1.14)
YACT-RING-0190-XCOAT	A19	60,00 (2.36)	12,00 (0.54)	43,00 (1.69)
YACT-RING-0250-XCOAT	A25	80,00 (3.15)	15,00 (0.59)	59,50 (2.34)
YACT-RING-0380-XCOAT	A38	99,00 (3.90)	23,00 (0.91)	74,00 (2.91)
YACT-RING-0500-XCOAT	A50	119,00 (4.69)	24,00 (0.95)	95,00 (3.74)
YACT-RING-0630-XCOAT	A63	143,00 (5.63)	22,50 (0.89)	110,50 (4.35)
YACT-RING-0760-XCOAT	A76	168,00 (6.61)	26,00 (1.02)	127,50 (5.02)
YACT-RING-0000-XCOAT	A00	198,00 (7.80)	26,00 (1.02)	158,00 (6.22)

SPECIFICATION:

MATERIAL	AISI 316L – 1.4404 + COATING
-----------------	------------------------------

Design Temperature: -80 to 200 °C (-112 to 392 °F)

Application Areas: SAFE

Design Pressure: -1 to 10 bar (-14.5 to 145 psi)

Note: The applied actuator and diaphragm may have different design temperature and/or pressure limits. The weakest component determines the maximum design temperature and pressure limits, when they are assembled.

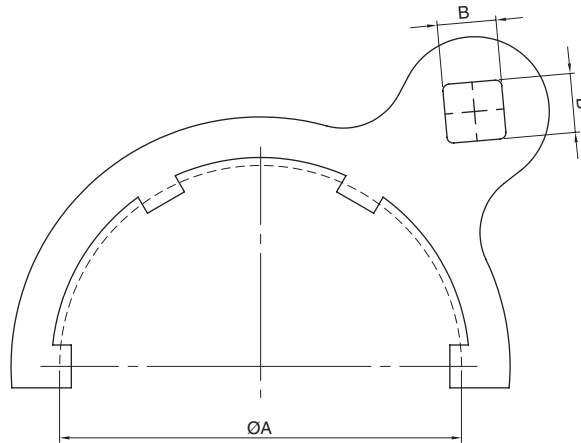
Packaging: CAD Ring is sealed in plastic bags and packaged in a closed box

Quality Control: Quality Assurance System guarantees the control and traceability of the product.

Orders and Information: For additional information or to place a order call your nearest Distributor or visit www.rattiinox.com

TECHNICAL INFORMATION _ CAT. N. YACT WRSS 0##0 0000S

CAD WRENCH



Clean and Aseptic Valves of CAD Product Line have simple and safe design, with their full drainability, without asymptotic seal and dead leg, are offering fast cleanability and sterilization practices. They are designed to fulfill stringent demands of CIP-SIP and Production Cycles on Aseptic Processing.

CAD Wrench, manufactured from solid stock in AISI 316L – 1.4404, engineered to achieve a perfect load on CAD Diaphragms and Actuators. Minimum torque level as indicated in the following table.

CODE	CAD SIZE	A mm (inch)	B mm (inch)	PTFE min.torque Nm (lbf-ft)	EPDM min.torque Nm (lbf-ft)	SILICONE min.torque Nm (lbf-ft)
YACT- WRSS -0120-0000S	A12 (1/2")	42,00 (1.65)	12,70 (1/2")	90 (66)	60 (44)	60 (44)
YACT- WRSS -0190-0000S	A19 (3/4")	60,00 (2.36)	12,70 (1/2")	130 (95)	80 (59)	80 (59)
YACT- WRSS -0250-0000S	A25 (1")	80,00 (3.15)	12,70 (1/2")	140 (103)	90 (66)	90 (66)
YACT- WRSS -0380-0000S	A38 (1.1/2")	99,00 (3.90)	12,70 (1/2")	150 (110)	100 (74)	100 (74)
YACT- WRSS -0500-0000S	A50 (2")	119,00 (4.69)	12,70 (1/2")	190 (140)	110 (81)	110 (81)
YACT- WRSS -0630-0000S	A63 (2.1/2")	143,00 (5.63)	12,70 (1/2")	200 (148)	120 (89)	120 (89)
YACT- WRSS -0760-0000S	A76 (3")	168,00 (6.61)	12,70 (1/2")	220 (162)	130 (96)	130 (96)
YACT- WRSS -0000-0000S	A00 (4")	198,00 (7.80)	12,70 (1/2")	240 (177)	NOT AVAILABLE	NOT AVAILABLE

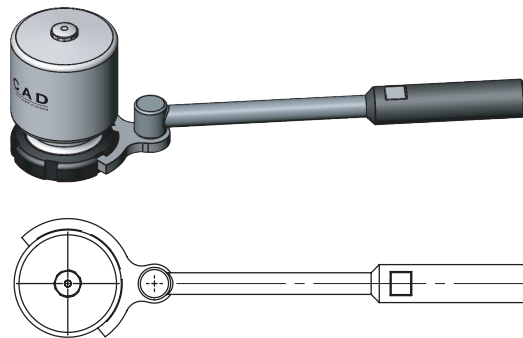
SPECIFICATION:

MATERIAL	AISI 316L - 1.4404
-----------------	--------------------

Correct use: Torque should be applied with actuator in OPEN position to avoid damage to diaphragm!

Keep torque tool aligned with CAD Wrench as shown, to apply the correct torque.

Torque tool not included. Standard torque tool with standard 1/2" socket can be used.



Additional information: After first or second SIP cycle, please check torque level or tight again CAD Ring (with actuator in OPEN position).

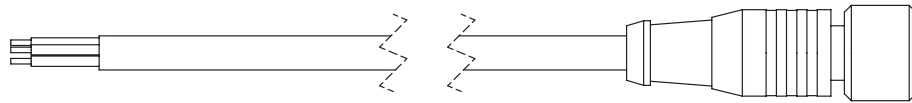
Packaging: CAD Wrench is sealed in plastic bags and packaged in a closed box.

Quality Control: Quality Assurance System guarantees the control and traceability of the product.

Orders and Information: For additional information or to place an order call your nearest Distributor or visit www.rattiinox.com

TECHNICAL INFORMATION _ CAT. N. YACT SEND 0XC0 X####

CABLE FOR DOUBLE POS. SENSOR



.....

Clean and Aseptic Valves of CAD Product Line have simple and safe design, with their full drainability, without asymptotic seal and dead leg, are offering fast cleanability and sterilization practices. They are designed to fulfil stringent demands of CIP-SIP and Production Cycles on Aseptic Processing.

Cable for CAD Double Position Sensor, genuine cable to provide power supply to CAD Sensor, arrange remote programming via PLC and transmit open and close position of the actuator where sensor is installed.

.....

CODE	SUITABLE FOR CAD SENSOR	Lenght mm (inch)
YACT-SEND-0XC0-X0000	XACT-SEND-0XX0-X0000	4,00 (157)
YACT-SEND-0XC0-X0030	XACT-SEND-0XX0-X0000	30,00 (1181)

SPECIFICATION:

MATERIAL	PVC
-----------------	-----

Design Temperature: -10 to 60 °C (14 to 140 °F)

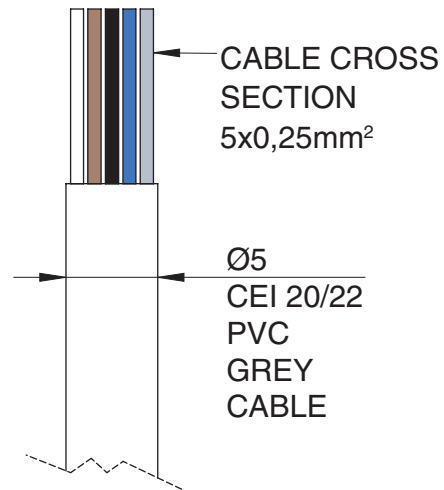
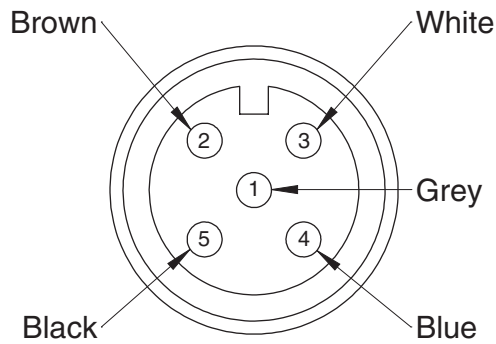
Application Areas: SAFE

Packaging: CAD Cable is sealed in plastic bags and packaged in a closed box

Quality Control: Quality Assurance System guarantees the control and traceability of the product.

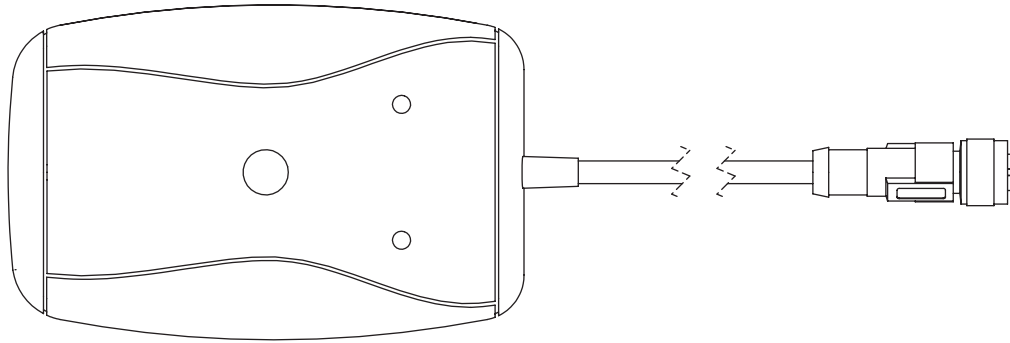
Orders and Information: For additional information or to place a order call your nearest Distributor or visit www.rattiinox.com

**CONNECTION DIAGRAM
5 POLES FEMALE**



TECHNICAL INFORMATION _ CAT. N. YACT SENP 0XC0 X0000

CAD PROGRAMMER



.....

Clean and Aseptic Valves of CAD Product Line have simple and safe design, with their full drainability, without asymptotic seal and dead leg, are offering fast cleanability and sterilization practices. They are designed to fulfill stringent demands of CIP-SIP and Production Cycles on Aseptic Processing.

CAD Programmer is a useful tool for fast and easy programming of CAD Double Position Sensor also while the valve is working. After connecting to the sensor, programming can be achieved just pushing 3 times the single pulsant: once to start programming, then for save closure point detection when actuator is on closed position and then a third time for saving the open position when the actuator is in correspondence of the open position. This programming require just few seconds

.....

CODE	SUITABLE FOR CAD SENSOR	Cable Length mm (inch)
YACT-SENP-0XC0-X0000	XACT-SEND-0XX0-X0000	2,00 (79)

SPECIFICATION:

MATERIAL	ABS
-----------------	-----

Design Temperature: 10 to 40 °C (50 to 104 °F)

Application Areas: SAFE

Power Supply: 9V Battery included

Packaging: CAD Programmer is sealed in plastic bags and packaged in a closed box

Quality Control: Quality Assurance System guarantees the control and traceability of the product.

Orders and Information: For additional information or to place a order call your nearest Distributor or visit www.rattiinox.com