

GENERAL CATALOGUE 2019



**Engineering,
construction and supply
of special product
and custom solutions.**

Rattiinox aims to satisfy the customer by providing a mix of custom products and services geared towards high quality production, in full respect of the aseptic systems and regulations.

More than 40 years of experience in the stainless steel machining has made of Rattiinox a successful firm in the supplying of components for pharmaceutical, chemical and alimentary installations. Modern management of Rattiinox is orientated towards delivering services and products able to satisfy Customers requirements as concern aseptic processes and high purity technologies by designing with dedicated equipment, devices and systems. Rattiinox aims to satisfy the customer by providing a mix of products and services geared towards high quality production, in full respect of the aseptic systems and regulations. Our services will range from the simple consulting, also in the field, for a better understanding of the real needs, to the delivery of standard and dedicated process components, up to be completed by process engineering. All this is guaranteed by the collaboration of Rattiinox with a team of experts with extensive experience providing process engineering, components and systems.

INDEX



ASEPTIC DIAPHRAGM VALVES

P. 004

ART. 061 P. 005
Disc Aseptic Diaphragm Valves



ASEPTIC SAMPLING VALVES

P. 010

ART. 046 P. 011
Compact Aseptic
Sampling Valves



INLINE SAMPLING VALVES

P. 018

ART. 057 P. 020
Inline 180° O-Ring
Sampling Valves

ART. 058 P. 022
Inline 30° O-Ring
Sampling Valves



SIDE SAMPLING VALVES

P. 030

ART. 044 P. 032
90° O-Ring
Sampling Valves

ART. 045 P. 040
180° O-Ring
Sampling Valves

ART. 090 P. 042
30° O-Ring
Sampling Valves

ART. 091 P. 050
Ingold O-Ring
Sampling Valves

ART. 023 P. 052
90° Needle
Sampling Valves

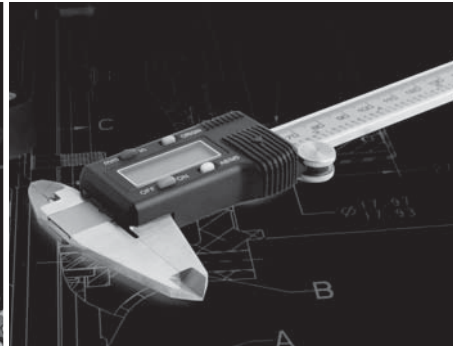
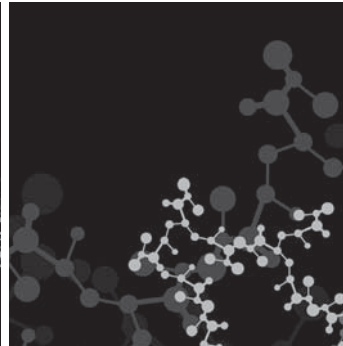
ART. 022 P. 053
90° Needle
Sampling Valves
Gas Threaded

ART. 041 P. 054
180° Needle
Sampling Valves

ART. 033 P. 055
180° Needle
Sampling Valves
Gas Threaded

ART. 344 P. 056
90° O-Ring
Sampling Valves

ART. 390 P. 057
30° O-Ring
Sampling Valves



NEEDLE VALVES

P. 058

ART. 049 P. 060
Needle Valves

ART. 053 P. 066
Needle Valves
Gas Threaded

ART. 054 P. 067
Gauge Holder
Gas Threaded

CHECK VALVES

P. 068

ART. 048 P. 070
Check Valves

ART. 001 P. 072
Check Valves
Gas Threaded

ART. 002 P. 074
Adjustable Check Valves
Gas Threaded

TRI-CLAMP FITTINGS

P. 076

ART. 110 P. 078
Tri-Clamp Ferrule
1.4435

ART. 115 P. 080
Tri-Clamp Ferrule
1.4404

ART. 085 P. 084
Mini Tri-Clamp

ART. 120 P. 085
Solid end Cap
1.4435

ART. 125 P. 086
Solid end Cap
1.4404

ART. 030 P. 087
Tri-Clamp Tee

ART. 031 P. 087
Tri-Clamp Elbow

ART. 028 P. 088
Hose Barb

ART. 040 P. 090
Tri-Clamp Reducer

ART. 026 P. 094
Tri-Clamp Male Adaptor

ART. 027 P. 104
Tri-Clamp Female Adaptor

ART. 034 P. 114
Double Pin Clamp

ART. 039 P. 115
Single Pin Clamp

ART. 035 P. 115
High Pressure Clamp

ART. 097 P. 116
Instrument Port

ART. 036 P. 118
Tri-Clamp Gaskets

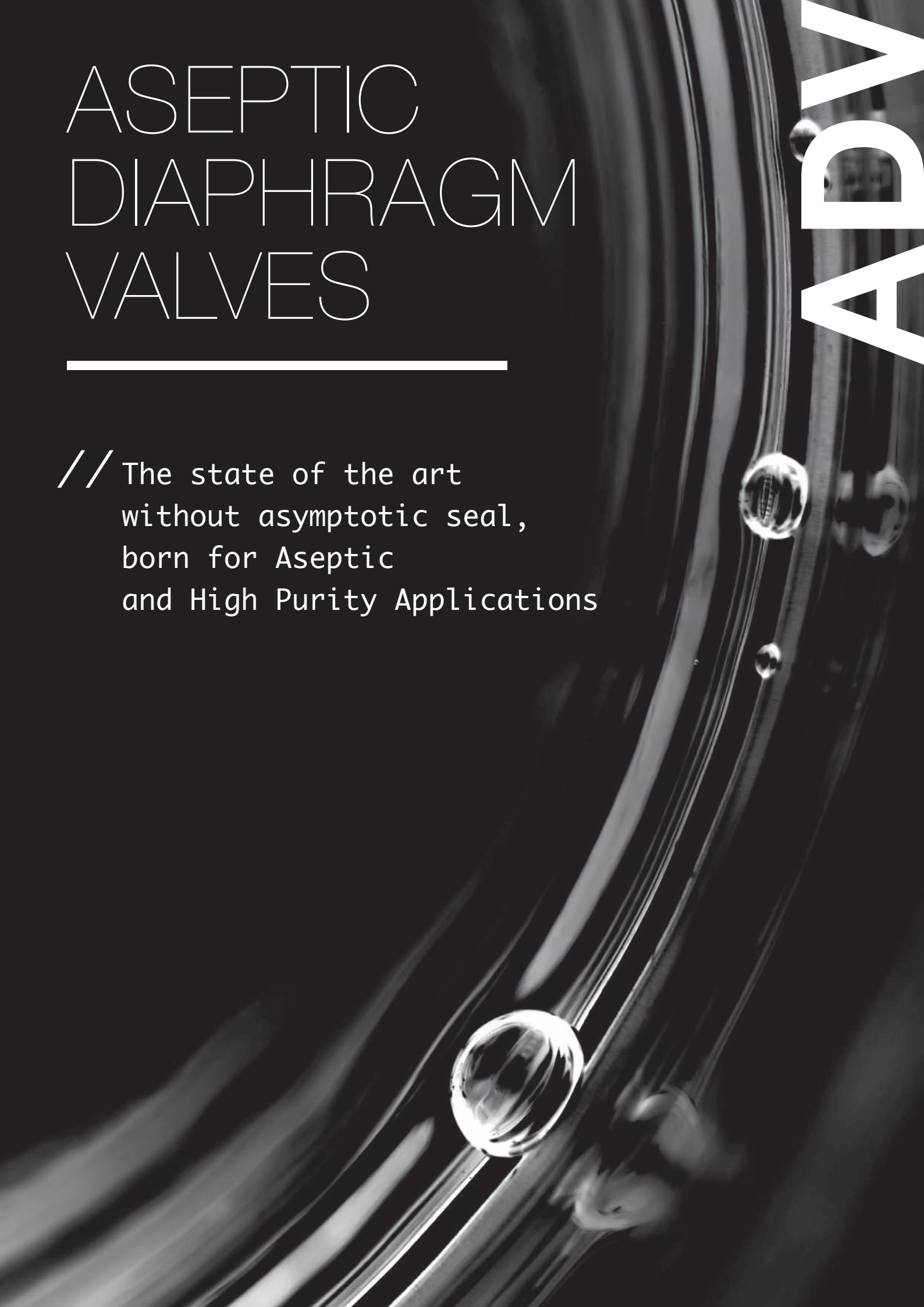
SPECIAL COMPONENTS

P. 122

ASEPTIC DIAPHRAGM VALVES

// The state of the art
without asymptotic seal,
born for Aseptic
and High Purity Applications

ADV
A



PATENTED

061

ART.

ASEPTIC DIAPHRAGM VALVES



DISC ASEPTIC DIAPHRAGM VALVES

Characteristics: Engineered and patented aseptic valves for biotechnology and semiconductor industries, pharmaceutical, food and medical processes. Designed for Aseptic and High Purity Applications. Two material: PTFE and AISI 316 L without asymptotic seals. Innovative internal design with inclined contact surfaces to drain the fluid. Fully autoclavable.

Documentation: Laser marking for traceability and validation processes. Material 3.1 certificates, FDA or USP, internal surface finishing check as standard.

1 TRI-CLAMP



ART. 061/A
P. 006



ART. 061/H
P. 008



ASTM A270 Tri-Clamp

Size	Ø A	Ø Di	L	Valve Material	Diaphragm Material	Code
1/2"	25,00	9,40	88,90	1.4404	PTFE - USP 121	061A60050PT121
3/4"	25,00	15,75	101,60	1.4404	PTFE - USP 121	061A60075PT121
1"	50,50	22,10	114,30	1.4404	PTFE - USP 121	061A60100PT121
1.1/2"	50,50	34,80	139,70	1.4404	PTFE - USP 121	061A60150PT121
2"	64,00	47,50	171,00	1.4404	PTFE - USP 121	061A60200PT121
2.1/2"	77,40	60,20	222,00	1.4404	PTFE - USP 121	061A60250PT121

Int. finishing: $Ra \leq 0,4 \mu m$ Ext. finishing: $Ra \leq 0,8 \mu m$ Mirror Polished

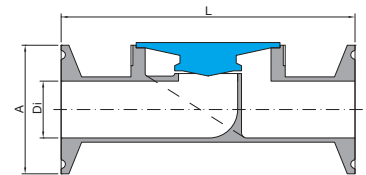
Max Working Conditions:

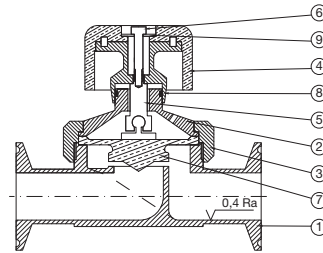
10 bar (150 psi) and 150°C (300°F)

Gaskets:

121° PTFE

Installation:

Vertical installation recommended



N°	Name	Material
1	Body	AISI 316L
2	Cover	AISI 316L
3	Ring	AISI 316L
4	Handle	PTFE + AISI 316L
5	Connecting Rod	COATED AISI 316L
6	Special Screw	AISI 304
7	Diaphragm	PTFE + AISI 316L or GUAFLON + AISI 316L
8	O-Ring	FPM/FKM
9	Special Washer	AISI 304

N°	Description	Valve size	Code
2	Cover n° 1 pcs	1/2"	AAAA0345
		3/4"	AAAA0345
		1"	AAAA0333
		1.1/2"	AAAA0328
		2"	AAAA0303
		2.1/2"	AAAA0317
3	Ring n° 1 pcs	1/2"	AAAA0344
		3/4"	AAAA0344
		1"	AAAA0344
		1.1/2"	AAAA0322
		2"	AAAA0302
		2.1/2"	AAAA0318
4	Handle n° 1 pcs	1/2"	0616005004PT70
		3/4"	0616005004PT70
		1"	0616005004PT70
		1.1/2"	0616015004PT70
		2"	0616015004PT70
		2.1/2"	0616025004PT70
5	Connecting Rod n° 1 pcs	1/2"	AAAA0409
		3/4"	AAAA0409
		1"	AAAA0409
		1.1/2"	AAAA0410
		2"	AAAA0410
		2.1/2"	AAAA0410
6	Special Screw n° 2 pcs	1/2"	061VITEM4X25
		3/4"	061VITEM4X25
		1"	061VITEM4X25
		1.1/2"	061VITEM6X30
		2"	061VITEM6X30
		2.1/2"	061VITEM6X30

N°	Description	Valve size	Code
7	PTFE - USP 121° Diaphragm n° 1 pcs	1/2"	0616005007PT121
		3/4"	0616005007PT121
		1"	0616010007PT121
		1.1/2"	0616015007PT121
		2"	0616020007PT121
		2.1/2"	0616025007PT121
8	O-Ring n° 5 pcs	1/2"	061X005008V
		3/4"	061X005008V
		1"	061X005008V
		1.1/2"	061X015008V
		2"	061X015008V
		2.1/2"	061X015008V
9	Special Washer n° 2 pcs	1/2"	061ROND15.7X4.4
		3/4"	061ROND15.7X4.4
		1"	061ROND15.7X4.4
		1.1/2"	061ROND24.0X6.5
		2"	061ROND24.0X6.5
		2.1/2"	061ROND24.0X6.5
2+	Complete Handle n° 1 pcs	1/2"	061A6005002
3+		3/4"	061A6005002
5+		1"	061A6010002
6+		1.1/2"	061A6015002
8+		2"	061A6020002
9		2.1/2"	061A6025002



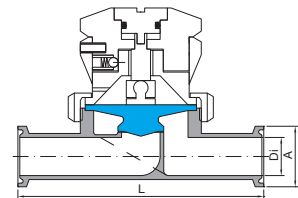
ASTM A270 Tri-Clamp

Size	Ø A	Ø Di	L	Valve Material	Diaphragm Material	Code
1/2"	25,00	9,40	88,90	1.4404	PTFE - USP 121	061H60050PT121
3/4"	25,00	15,75	101,60	1.4404	PTFE - USP 121	061H60075PT121

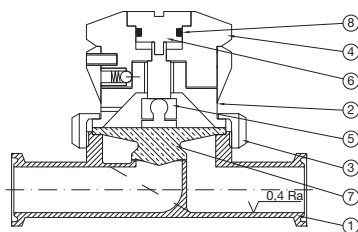
Int. finishing: **Ra ≤ 0,4 µm**
Ext. finishing: **Ra ≤ 0,8 µm Mirror Polished**

Max Working Conditions:
10 bar (150 psi) and 150°C (300°F)

Installation:
Vertical installation recommended

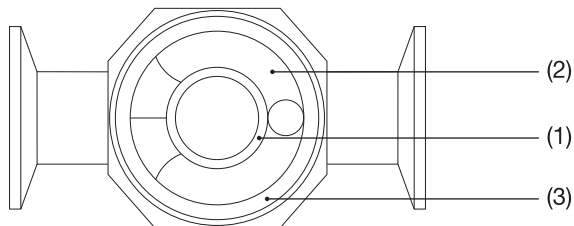
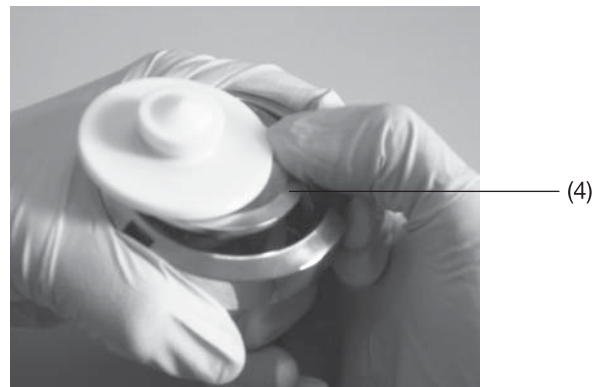
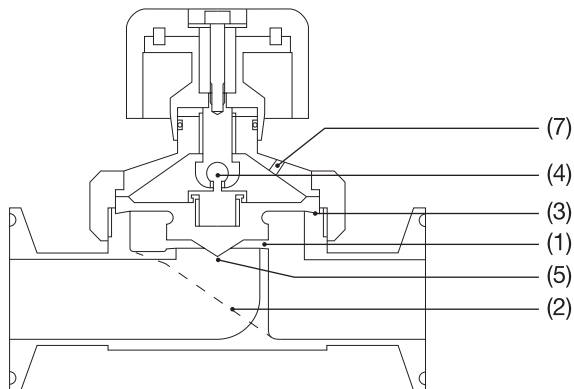


Spare parts



N°	Name	Material
1	Way Body	AISI 316L
2	Cover with adjustable regulator	AISI 316L
3	Ring	AISI 316L
4	Handle	AISI 316L
5	Connecting Rod	COATED AISI 316L
6	Special Screw	AISI 304
7	Diaphragm	PTFE + AISI 316L
8	O-Ring	FPM/FKM

N°	Description	Valve size	Code
3	Ring n° 1 pcs	1/2"	AAAA0344
		3/4"	AAAA0344
5	Connecting Rod n° 1 pcs	1/2"	AAAA0409
		3/4"	AAAA0409
7	PTFE - USP 121° Diaphragm n° 1 pcs	1/2"	0616005007PT121
		3/4"	0616005007PT121
8	O-Ring n° 5 pcs	1/2"	061X005008V
		3/4"	061X005008V
2+3+4+5+6+8	Complete Handle n° 1 pcs	1/2"	061H6005002
		3/4"	061H6005002



The opening and closing movements do not detect the areas which are away from the shutter's contact surface, which however, is inclined and it allows the draining of the fluid outwards during the support movement and the tightness of the diaphragm on the work table shutting surface (1).

The internal chute allows the valve's chamber to easily empty itself even during horizontal use (2).

The inverse taper of the tightness surface in correlation with the diaphragm's surface sustain allows for concentrated tightness on the internal edge, which is in contact with the product, it is secured by a strong and optimal compression, and it is performed by the external roller (3).

In order to guarantee the maximum quality, the central body is totally machine-manufactured, using welded Tri-Clamp connections, available with internal finishing under 0.4 Ra. The diaphragm is manufactured in PTFE, which is appropriately connected to the AISI316L traction-compression systems, therefore there is no possibility of by-passing, and it has a spherical conformation which makes the replacing maneuver easy (4).

The runner in the shutter makes any eventual needs to regulate the fluid more precise (5).

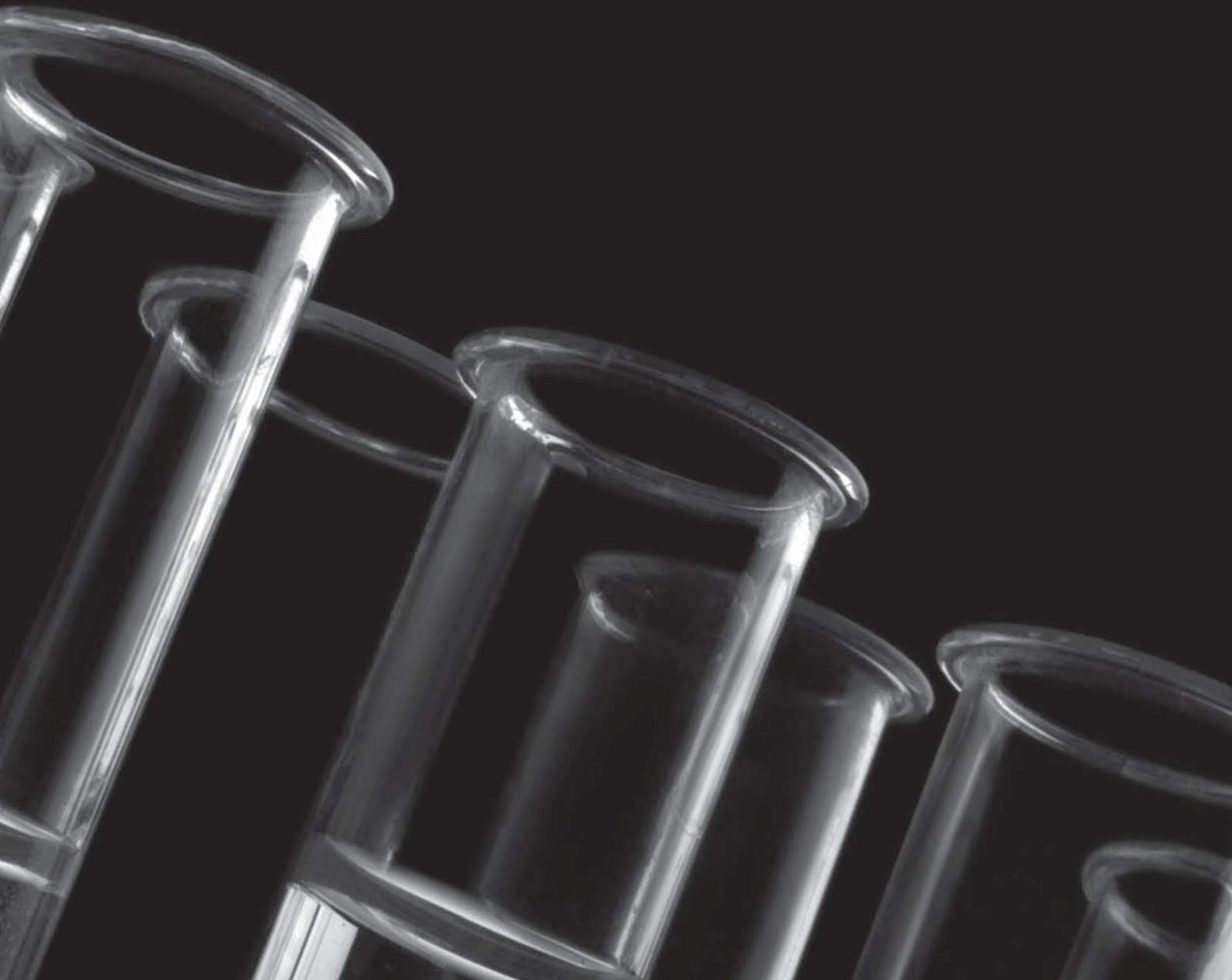
The manual control of the valve is carried out through a PTFE handle. For precision regulation purposes, a manual, self-locking actuator is available (Type H); it includes 80 different positions, as well as a position indicator, which is available only for 1/2" and 3/4" (6).

The hole on the head-frame valve allows the external display of any possible cracks on the diaphragm (7).

ASEPTIC SAMPLING VALVES

// Maximum accuracy
for a representative
Aseptic sampling

ASV



ART. 046

ASEPTIC SAMPLING VALVES



COMPACT ASEPTIC SAMPLING VALVES

Characteristics: Designed for sterile sampling of liquids on pharmaceutical products. Radial diaphragm with extremely compact design. Diaphragm closes at the inlet seat of the product port connection, eliminating the dead leg. Engineered for Aseptic and High Purity Applications. PTFE or Silicone and AISI 316 L without asymptotic seals. All versions are fully autoclavable. Removable handle available for valves equipped with SIP connection.

Documentation: Laser marking for traceability and validation processes. Material 3.1 certificates, FDA or USP, internal surface finishing check as standard.

1 HOSE BARB OUTLET



ART. 046/A
P. 012

1 TRI-CLAMP OUTLET



ART. 046/B
P. 013

1 HOSE BARB OUTLET
+ 1 CIP HOSE BARB INLET



ART. 046/C
P. 014

1 HOSE BARB OUTLET
+ 1 CIP TRI-CLAMP INLET



ART. 046/D
P. 015

1 TRI-CLAMP OUTLET
+ 1 CIP TRI-CLAMP INLET



ART. 046/E
P. 016



ASTM A270 Tri-Clamp - Flange design according to ASME-BPE

Size	Ø A	Ø C	Valve Material	Diaphragm Material	Code
1/2" - 3/4" *	25,00		1.4404	SILICONE FDA	046A60050SIF
				PTFE - USP 121	046A60050PT121
1"		50,50	1.4404	SILICONE FDA	046A60100SIF
				PTFE - USP 121	046A60100PT121
1.1/2"		50,50	1.4404	SILICONE FDA	046A60150SIF
				PTFE - USP 121	046A60150PT121

* Special clamp included

Int. finishing: **Ra ≤ 0,4 µm**
Ext. finishing: **Ra ≤ 0,8 µm Mirror Polished**

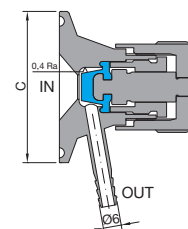
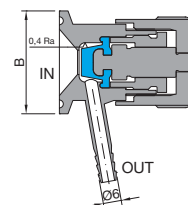
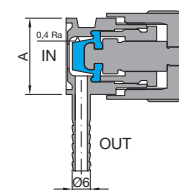
Max Working Conditions:
8 bar (120 psi) and 150°C (300°F)

Gaskets:
FDA approved SILICONE
or USP CLASS VI - 121° PTFE

Installation:
Horizontal installation recommended

DIN 32676 Tri-Clamp

Size	Ø B	Ø C	Valve Material	Diaphragm Material	Code
DN 10	34,00		1.4404	SILICONE FDA	046A6D010SIF
				PTFE - USP 121	046A6D010PT121
DN 15	34,00		1.4404	SILICONE FDA	046A6D015SIF
				PTFE - USP 121	046A6D015PT121
DN 20	34,00		1.4404	SILICONE FDA	046A6D020SIF
				PTFE - USP 121	046A6D020PT121
DN 25		50,50	1.4404	SILICONE FDA	046A6D025SIF
				PTFE - USP 121	046A6D025PT121
DN 32		50,50	1.4404	SILICONE FDA	046A6D032SIF
				PTFE - USP 121	046A6D032PT121
DN 40		50,50	1.4404	SILICONE FDA	046A6D040SIF
				PTFE - USP 121	046A6D040PT121



ISO 1127 Tri-Clamp

Size	Ø B	Ø C	Valve Material	Diaphragm Material	Code
DN 8	34,00		1.4404	SILICONE FDA	046A6I008SIF
				PTFE - USP 121	046A6I008PT121
DN 10	34,00		1.4404	SILICONE FDA	046A6I010SIF
				PTFE - USP 121	046A6I010PT121
DN 15	34,00		1.4404	SILICONE FDA	046A6I015SIF
				PTFE - USP 121	046A6I015PT121
DN 20		50,50	1.4404	SILICONE FDA	046A6I020SIF
				PTFE - USP 121	046A6I020PT121
DN 25		50,50	1.4404	SILICONE FDA	046A6I025SIF
				PTFE - USP 121	046A6I025PT121
DN 32		50,50	1.4404	SILICONE FDA	046A6I032SIF
				PTFE - USP 121	046A6I032PT121

1 TRI-CLAMP OUTLET



ASTM A270 Tri-Clamp - Flange design according to ASME-BPE

Size	Ø A	Ø C	Valve Material	Diaphragm Material	Code
1/2" - 3/4" *	25,00		1.4404	SILICONE FDA	046B60050SIF
				PTFE - USP 121	046B60050PT121
1"		50,50	1.4404	SILICONE FDA	046B60100SIF
				PTFE - USP 121	046B60100PT121
1.1/2"		50,50	1.4404	SILICONE FDA	046B60150SIF
				PTFE - USP 121	046B60150PT121

* Special clamp included

Int. finishing: **Ra ≤ 0,4 µm**
Ext. finishing: **Ra ≤ 0,8 µm Mirror Polished**

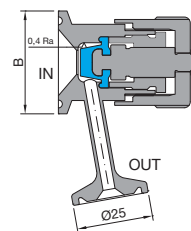
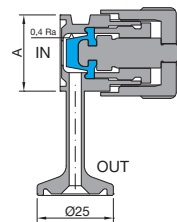
Max Working Conditions:
8 bar (120 psi) and 150°C (300°F)

Gaskets:
FDA approved SILICONE
or **USP CLASS VI - 121° PTFE**

Installation:
Horizontal installation recommended

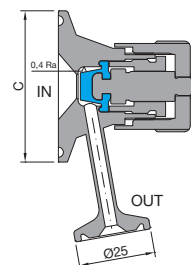
DIN 32676 Tri-Clamp

Size	Ø B	Ø C	Valve Material	Diaphragm Material	Code
DN 10	34,00		1.4404	SILICONE FDA	046B6D010SIF
				PTFE - USP 121	046B6D010PT121
DN 15	34,00		1.4404	SILICONE FDA	046B6D015SIF
				PTFE - USP 121	046B6D015PT121
DN 20	34,00		1.4404	SILICONE FDA	046B6D020SIF
				PTFE - USP 121	046B6D020PT121
DN 25		50,50	1.4404	SILICONE FDA	046B6D025SIF
				PTFE - USP 121	046B6D025PT121
DN 32		50,50	1.4404	SILICONE FDA	046B6D032SIF
				PTFE - USP 121	046B6D032PT121
DN 40		50,50	1.4404	SILICONE FDA	046B6D040SIF
				PTFE - USP 121	046B6D040PT121



ISO 1127 Tri-Clamp

Size	Ø B	Ø C	Valve Material	Diaphragm Material	Code
DN 8	34,00		1.4404	SILICONE FDA	046B6I008SIF
				PTFE - USP 121	046B6I008PT121
DN 10	34,00		1.4404	SILICONE FDA	046B6I010SIF
				PTFE - USP 121	046B6I010PT121
DN 15	34,00		1.4404	SILICONE FDA	046B6I015SIF
				PTFE - USP 121	046B6I015PT121
DN 20		50,50	1.4404	SILICONE FDA	046B6I020SIF
				PTFE - USP 121	046B6I020PT121
DN 25		50,50	1.4404	SILICONE FDA	046B6I025SIF
				PTFE - USP 121	046B6I025PT121
DN 32		50,50	1.4404	SILICONE FDA	046B6I032SIF
				PTFE - USP 121	046B6I032PT121





ASTM A270 Tri-Clamp - Flange design according to ASME-BPE

Size	Ø A	Ø C	Valve Material	Diaphragm Material	Code
1/2" - 3/4" *	25,00		1.4404	SILICONE FDA	046C60050SIF
				PTFE - USP 121	046C60050PT121
1"		50,50	1.4404	SILICONE FDA	046C60100SIF
				PTFE - USP 121	046C60100PT121
1.1/2"		50,50	1.4404	SILICONE FDA	046C60150SIF
				PTFE - USP 121	046C60150PT121

* Special clamp included

Int. finishing: **Ra ≤ 0,4 µm**
Ext. finishing: **Ra ≤ 0,8 µm Mirror Polished**

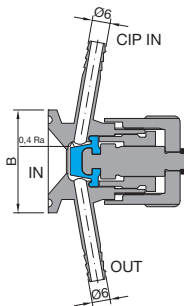
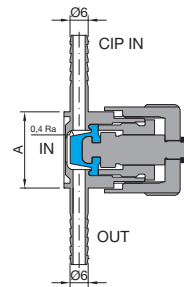
Max Working Conditions:
8 bar (120 psi) and 150°C (300°F)

Gaskets:
FDA approved SILICONE
or **USP CLASS VI - 121° PTFE**

Installation:
Horizontal installation recommended

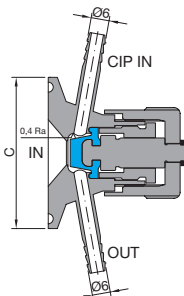
DIN 32676 Tri-Clamp

Size	Ø B	Ø C	Valve Material	Diaphragm Material	Code
DN 10	34,00		1.4404	SILICONE FDA	046C6D010SIF
				PTFE - USP 121	046C6D010PT121
DN 15	34,00		1.4404	SILICONE FDA	046C6D015SIF
				PTFE - USP 121	046C6D015PT121
DN 20	34,00		1.4404	SILICONE FDA	046C6D020SIF
				PTFE - USP 121	046C6D020PT121
DN 25		50,50	1.4404	SILICONE FDA	046C6D025SIF
				PTFE - USP 121	046C6D025PT121
DN 32		50,50	1.4404	SILICONE FDA	046C6D032SIF
				PTFE - USP 121	046C6D032PT121
DN 40		50,50	1.4404	SILICONE FDA	046C6D040SIF
				PTFE - USP 121	046C6D040PT121



ISO 1127 Tri-Clamp

Size	Ø B	Ø C	Valve Material	Diaphragm Material	Code
DN 8	34,00		1.4404	SILICONE FDA	046C6I008SIF
				PTFE - USP 121	046C6I008PT121
DN 10	34,00		1.4404	SILICONE FDA	046C6I010SIF
				PTFE - USP 121	046C6I010PT121
DN 15	34,00		1.4404	SILICONE FDA	046C6I015SIF
				PTFE - USP 121	046C6I015PT121
DN 20		50,50	1.4404	SILICONE FDA	046C6I020SIF
				PTFE - USP 121	046C6I020PT121
DN 25		50,50	1.4404	SILICONE FDA	046C6I025SIF
				PTFE - USP 121	046C6I025PT121
DN 32		50,50	1.4404	SILICONE FDA	046C6I032SIF
				PTFE - USP 121	046C6I032PT121





ASTM A270 Tri-Clamp - Flange design according to ASME-BPE

Size	Ø A	Ø C	Valve Material	Diaphragm Material	Code
1/2" - 3/4" *	25,00		1.4404	SILICONE FDA	046D60050SIF
				PTFE - USP 121	046D60050PT121
1"		50,50	1.4404	SILICONE FDA	046D60100SIF
				PTFE - USP 121	046D60100PT121
1.1/2"		50,50	1.4404	SILICONE FDA	046D60150SIF
				PTFE - USP 121	046D60150PT121

* Special clamp included

Int. finishing: **Ra ≤ 0,4 µm**
Ext. finishing: **Ra ≤ 0,8 µm Mirror Polished**

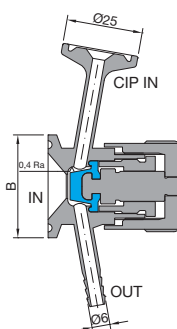
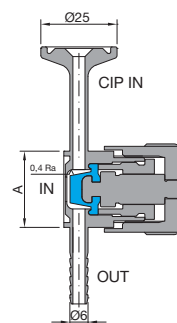
Max Working Conditions:
8 bar (120 psi) and 150°C (300°F)

Gaskets:
FDA approved SILICONE
or **USP CLASS VI - 121° PTFE**

Installation:
Horizontal installation recommended

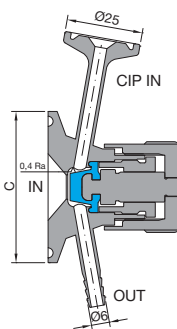
DIN 32676 Tri-Clamp

Size	Ø B	Ø C	Valve Material	Diaphragm Material	Code
DN 10	34,00		1.4404	SILICONE FDA	046D6D010SIF
				PTFE - USP 121	046D6D010PT121
DN 15	34,00		1.4404	SILICONE FDA	046D6D015SIF
				PTFE - USP 121	046D6D015PT121
DN 20	34,00		1.4404	SILICONE FDA	046D6D020SIF
				PTFE - USP 121	046D6D020PT121
DN 25		50,50	1.4404	SILICONE FDA	046D6D025SIF
				PTFE - USP 121	046D6D025PT121
DN 32		50,50	1.4404	SILICONE FDA	046D6D032SIF
				PTFE - USP 121	046D6D032PT121
DN 40		50,50	1.4404	SILICONE FDA	046D6D040SIF
				PTFE - USP 121	046D6D040PT121



ISO 1127 Tri-Clamp

Size	Ø B	Ø C	Valve Material	Diaphragm Material	Code
DN 8	34,00		1.4404	SILICONE FDA	046D6I008SIF
				PTFE - USP 121	046D6I008PT121
DN 10	34,00		1.4404	SILICONE FDA	046D6I010SIF
				PTFE - USP 121	046D6I010PT121
DN 15	34,00		1.4404	SILICONE FDA	046D6I015SIF
				PTFE - USP 121	046D6I015PT121
DN 20		50,50	1.4404	SILICONE FDA	046D6I020SIF
				PTFE - USP 121	046D6I020PT121
DN 25		50,50	1.4404	SILICONE FDA	046D6I025SIF
				PTFE - USP 121	046D6I025PT121
DN 32		50,50	1.4404	SILICONE FDA	046D6I032SIF
				PTFE - USP 121	046D6I032PT121





ASTM A270 Tri-Clamp - Flange design according to ASME-BPE

Size	Ø A	Ø C	Valve Material	Diaphragm Material	Code
1"		50,50	1.4404	SILICONE FDA	046E60100SIF
				PTFE - USP 121	046E60100PT121
1.1/2"		50,50	1.4404	SILICONE FDA	046E60150SIF
				PTFE - USP 121	046E60150PT121

Int. finishing: **Ra ≤ 0,4 µm**
Ext. finishing: **Ra ≤ 0,8 µm Mirror Polished**

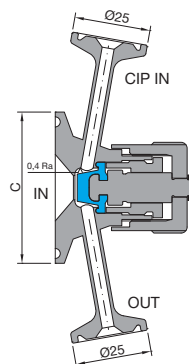
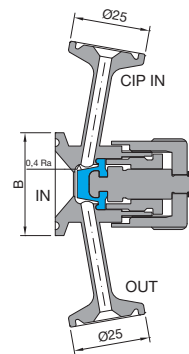
Max Working Conditions:
8 bar (120 psi) and 150°C (300°F)

Gaskets:
FDA approved SILICONE
or USP CLASS VI - 121° PTFE

Installation:
Horizontal installation recommended

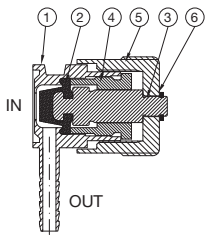
DIN 32676 Tri-Clamp

Size	Ø B	Ø C	Valve Material	Diaphragm Material	Code
DN 10	34,00		1.4404	SILICONE FDA	046E6D010SIF
				PTFE - USP 121	046E6D010PT121
DN 15	34,00		1.4404	SILICONE FDA	046E6D015SIF
				PTFE - USP 121	046E6D015PT121
DN 20	34,00		1.4404	SILICONE FDA	046E6D020SIF
				PTFE - USP 121	046E6D020PT121
DN 25		50,50	1.4404	SILICONE FDA	046E6D025SIF
				PTFE - USP 121	046E6D025PT121
DN 32		50,50	1.4404	SILICONE FDA	046E6D032SIF
				PTFE - USP 121	046E6D032PT121
DN 40		50,50	1.4404	SILICONE FDA	046E6D040SIF
				PTFE - USP 121	046E6D040PT121

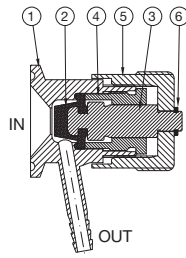


ISO 1127 Tri-Clamp

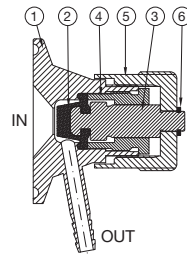
Size	Ø B	Ø C	Valve Material	Diaphragm Material	Code
DN 8	34,00		1.4404	SILICONE FDA	046E6I008SIF
				PTFE - USP 121	046E6I008PT121
DN 10	34,00		1.4404	SILICONE FDA	046E6I010SIF
				PTFE - USP 121	046E6I010PT121
DN 15	34,00		1.4404	SILICONE FDA	046E6I015SIF
				PTFE - USP 121	046E6I015PT121
DN 20		50,50	1.4404	SILICONE FDA	046E6I020SIF
				PTFE - USP 121	046E6I020PT121
DN 25		50,50	1.4404	SILICONE FDA	046E6I025SIF
				PTFE - USP 121	046E6I025PT121
DN 32		50,50	1.4404	SILICONE FDA	046E6I032SIF
				PTFE - USP 121	046E6I032PT121



ASTM A270: Ø A 25



DIN / ISO: Ø B 34



ASTM A270 / DIN / ISO: Ø C 50,50

N°	Name	Material
1	Body	AISI 316L
2	Diaphragm	SILICONE FDA or PTFE
3	Piston	AISI 316L
4	Ring	AISI 316L
5	Handle	AISI 316L
6	Seeger	AISI 304

N°	Description	Valve size	Code
2	Diaphragm PTFE - USP 121° - n° 1 pcs	all sizes	046ZXPT121002
2	Diaphragm SILICONE FDA - n° 1 pcs	all sizes	046ZXSIF002
2+3	Diaphragm PTFE - USP 121° + Piston - n° 1 + 1 pcs	all sizes	046ZX000023K2
2+3	Diaphragm SILICONE FDA + Piston - n° 1 + 1 pcs	all sizes	046ZX000023K1
3	Piston for PTFE Diaphragm - n° 1 pcs	all sizes	046Z6PT121003
4	Ring - n° 1 pcs	all sizes	046Z6000004
5	Stainless Steel Handle - n° 1 pcs	all sizes	046Z6000005
6	Seeger - n° 10 pcs	all sizes	SEEGERSV
10	Piston for SILICONE Diaphragm - n° 1 pcs	all sizes	046Z6SIF003

// The axial path flow sampler
for chemical and
microbiological analysis



INLINE SAMPLING VALVES



.....
ART. 057
 Inline 180° O-Ring
 Sampling Valves

 P. 020



.....
ART. 058
 Inline 30° O-Ring
 Sampling Valves

 P. 022

.....
Characteristics. Inline sanitary sampling valves are designed for sampling of liquids on pharmaceutical, chemical, F&B and cosmetics products. It's special design prevents deposits of particles in correspondence of the sampling hole, the valve takes the sample from the middle of the line where is installed, avoiding alteration. Used for chemical and microbiological analysis. Metal closing system for Art. 037, O-Ring closing system for Art. 057 and Art. 058.

Documentation. Laser marking for traceability and validation processes. Material 3.1 certificates, FDA or USP, internal surface finishing check as standard.

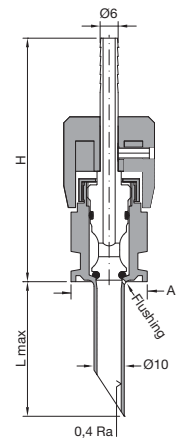


ASTM A270 Tri-Clamp - Flange design according to ASME-BPE
DIN 32676 Tri-Clamp
ISO 1127 Tri-Clamp

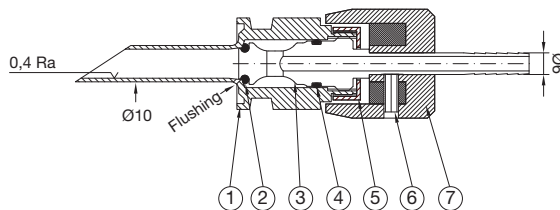
Ø A	H	L max	Valve Material	O-Rings Material	Code
25,00	53,00	80,00	1.4404	FPM/FKM	057A6TC25V
				EPDM	057A6TC25EP
				SILICONE FDA	057A6TC25SIF
				SILICONE USP 121	057A6TC25SI121
34,00	56,00	80,00	1.4404	FPM/FKM	057A6TC34V
				EPDM	057A6TC34EP
				SILICONE FDA	057A6TC34SIF
				SILICONE USP 121	057A6TC34SI121
50,50	56,00	80,00	1.4404	FPM/FKM	057A6TC50V
				EPDM	057A6TC50EP
				SILICONE FDA	057A6TC50SIF
				SILICONE USP 121	057A6TC50SI121

Int. finishing: **Ra ≤ 0,4 µm**
Ext. finishing: **Ra ≤ 0,8 µm Mirror Polished**

Max Working Conditions:
12 bar (170 psi) and 150°C (300°F)



Spare parts



N°	Name	Material
1	Body	AISI 316L
2	O-Ring 3021	FPM/FKM or EPDM or SILICONE FDA or SILICONE USP 121
3	Piston	AISI 316L
4	O-Ring 2037	FPM/FKM or EPDM or SILICONE FDA or SILICONE USP 121
5	Ring	AISI 316L
6	Grub Screw M4	AISI 304
7	Handle	PTFE + INOX

N°	Description	Valve size	Code
2+4	O-Ring Kit 3021 / 2037 FPM/FKM - n° 10 + 10 pcs	all sizes	ORSV1010V
2+4	O-Ring Kit 3021 / 2037 EPDM - n° 10 + 10 pcs	all sizes	ORSV1010EP
2+4	O-Ring Kit 3021 / 2037 SILICONE FDA - n° 10 + 10 pcs	all sizes	ORSV1010SIF
2+4	O-Ring Kit 3021 / 2037 SILICONE USP 121° - n° 10 + 10 pcs	all sizes	ORSV1010SI121
5	Ring - n° 1 pcs	all sizes	AAAA0090
6	Grub Screw M4 Kit - n° 10 pcs	all sizes	ORSVM4X10
7	Handle PTFE + INOX - n° 1 pcs	all sizes	ORSVHA2

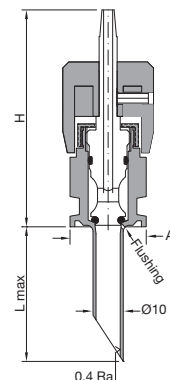


ASTM A270 Tri-Clamp - Flange design according to ASME-BPE
DIN 32676 Tri-Clamp
ISO 1127 Tri-Clamp

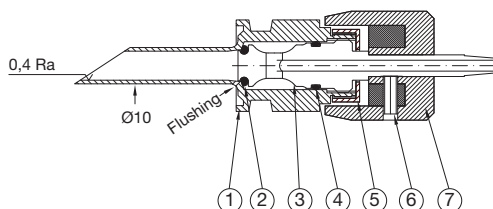
Ø A	H	L max	Valve Material	O-Rings Material	Code
25,00	53,00	80,00	1.4404	FPM/FKM	057G6TC25V
				EPDM	057G6TC25EP
				SILICONE FDA	057G6TC25SIF
				SILICONE USP 121	057G6TC25SI121
34,00	56,00	80,00	1.4404	FPM/FKM	057G6TC34V
				EPDM	057G6TC34EP
				SILICONE FDA	057G6TC34SIF
				SILICONE USP 121	057G6TC34SI121
50,50	56,00	80,00	1.4404	FPM/FKM	057G6TC50V
				EPDM	057G6TC50EP
				SILICONE FDA	057G6TC50SIF
				SILICONE USP 121	057G6TC50SI121

Int. finishing: **Ra ≤ 0,4 µm**
Ext. finishing: **Ra ≤ 0,8 µm Mirror Polished**

Max Working Conditions:
12 bar (170 psi) and 150°C (300°F)



Spare parts



N°	Name	Material
1	Body	AISI 316L
2	O-Ring 3021	FPM/FKM or EPDM or SILICONE FDA or SILICONE USP 121
3	Piston	AISI 316L
4	O-Ring 2037	FPM/FKM or EPDM or SILICONE FDA or SILICONE USP 121
5	Ring	AISI 316L
6	Grub Screw M4	AISI 304
7	Handle	PTFE + INOX

N°	Description	Valve size	Code
2+4	O-Ring Kit 3021 / 2037 FPM/FKM - n° 10 + 10 pcs	all sizes	ORSV1010V
2+4	O-Ring Kit 3021 / 2037 EPDM - n° 10 + 10 pcs	all sizes	ORSV1010EP
2+4	O-Ring Kit 3021 / 2037 SILICONE FDA - n° 10 + 10 pcs	all sizes	ORSV1010SIF
2+4	O-Ring Kit 3021 / 2037 SILICONE USP 121° - n° 10 + 10 pcs	all sizes	ORSV1010SI121
5	Ring - n° 1 pcs	all sizes	AAAA0090
6	Grub Screw M4 Kit - n° 10 pcs	all sizes	ORSVM4X10
7	Handle PTFE + INOX - n° 1 pcs	all sizes	ORSVHA2

058

ART.

INLINE SAMPLING VALVES



INLINE 30° O-RING SAMPLING VALVES

Characteristics: Inline sanitary sampling valves are designed for sampling of liquids on pharmaceutical, chemical, F&B and cosmetics products. It's special design prevents deposits of particles in correspondence of the sampling hole, the valve takes the sample from the middle of the line where is installed, avoiding alteration. Used for chemical and microbiological analysis.

Documentation: Laser marking for traceability and validation processes. Material 3.1 certificates, FDA or USP, internal surface finishing check as standard.

1 HOSE BARB OUTLET



ART. 058/A
P. 024

1 TRI-CLAMP OUTLET



ART. 058/B
P. 025

1 HOSE BARB OUTLET
+ 1 CIP HOSE BARB INLET



ART. 058/C
P. 026

1 HOSE BARB OUTLET
+ 1 CIP TRI-CLAMP INLET



ART. 058/D
P. 027

1 TRI-CLAMP OUTLET
+ 1 CIP TRI-CLAMP INLET



ART. 058/E
P. 028

1 LUER OUTLET



ART. 058/G
P. 029

1 LUER OUTLET
+ 1 CIP TRI-CLAMP INLET



ART. 058/H
P. 030



IMPORTANT NOTES:
Select L (Left) or R (Right) or UP (Up) design. Codes showed on this catalog are for "right to left" (R) flow. Change last letter on the code tab to order valves with correct flow.



Select L (Left) or R (Right) or UP (Up) design. Codes showed on this catalog are for "right to left" (R) flow. Change last letter on the code tab to order valves with correct flow.

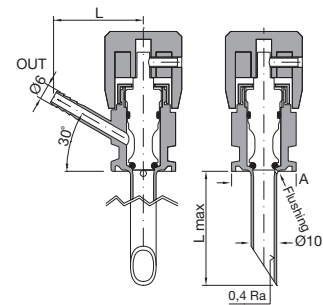
ASTM A270 Tri-Clamp - Flange design according to ASME-BPE
DIN 32676 Tri-Clamp
ISO 1127 Tri-Clamp

Ø A	L	L max	Valve Material	O-Rings Material	Code
25,00	35,00	80,00	1.4404	FPM/FKM	058A6TC25VR
				EPDM	058A6TC25EPR
				SILICONE FDA	058A6TC25SIFR
				SILICONE USP 121	058A6TC25SI121R
34,00	35,00	80,00	1.4404	FPM/FKM	058A6TC34VR
				EPDM	058A6TC34EPR
				SILICONE FDA	058A6TC34SIFR
				SILICONE USP 121	058A6TC34SI121R
50,50	41,00	80,00	1.4404	FPM/FKM	058A6TC50VR
				EPDM	058A6TC50EPR
				SILICONE FDA	058A6TC50SIFR
				SILICONE USP 121	058A6TC50SI121R

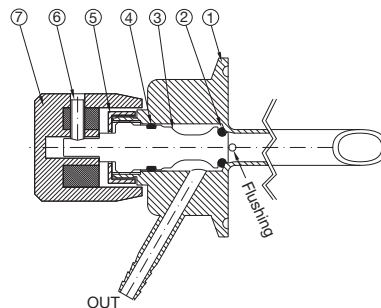
Int. finishing: Ra ≤ 0,4 µm
Ext. finishing: Ra ≤ 0,8 µm Mirror Polished

Max Working Conditions:
12 bar (170 psi) and 150°C (300°F)

Installation:
Check correct flow direction during assembly
Horizontal installation recommended



Spare parts



N°	Name	Material
1	Body	AISI 316L
2	O-Ring 3021	FPM/FKM or EPDM or SILICONE FDA or SILICONE USP 121
3	Piston	AISI 316L
4	O-Ring 2037	FPM/FKM or EPDM or SILICONE FDA or SILICONE USP 121
5	Ring	AISI 316L
6	Grub Screw M4	AISI 304
7	Handle	PTFE + INOX

N°	Description	Valve size	Code
2+4	O-Ring Kit 3021 / 2037 FPM/FKM - n° 10 + 10 pcs	all sizes	ORSV1010V
2+4	O-Ring Kit 3021 / 2037 EPDM - n° 10 + 10 pcs	all sizes	ORSV1010EP
2+4	O-Ring Kit 3021 / 2037 SILICONE FDA - n° 10 + 10 pcs	all sizes	ORSV1010SIF
2+4	O-Ring Kit 3021 / 2037 SILICONE USP 121° - n° 10 + 10 pcs	all sizes	ORSV1010SI121
5	Ring - n° 1 pcs	all sizes	AAAA0090
6	Grub Screw M4 Kit - n° 10 pcs	all sizes	ORSVM4X10
7	Handle PTFE + INOX - n° 1 pcs	all sizes	ORSVHA1



Select L (Left) or R (Right) or UP (Up) design. Codes showed on this catalog are for "right to left" (R) flow. Change last letter on the code tab to order valves with correct flow.

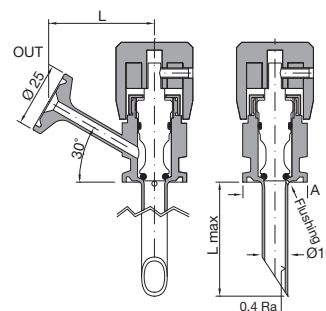
ASTM A270 Tri-Clamp - Flange design according to ASME-BPE
DIN 32676 Tri-Clamp
ISO 1127 Tri-Clamp

Ø A	L	L max	Valve Material	O-Rings Material	Code
25,00	46,00	80,00	1.4404	FPM/FKM	058B6TC25VR
				EPDM	058B6TC25EPR
				SILICONE FDA	058B6TC25SIFR
				SILICONE USP 121	058B6TC25SI121R
34,00	46,00	80,00	1.4404	FPM/FKM	058B6TC34VR
				EPDM	058B6TC34EPR
				SILICONE FDA	058B6TC34SIFR
				SILICONE USP 121	058B6TC34SI121R
50,50	52,00	80,00	1.4404	FPM/FKM	058B6TC50VR
				EPDM	058B6TC50EPR
				SILICONE FDA	058B6TC50SIFR
				SILICONE USP 121	058B6TC50SI121R

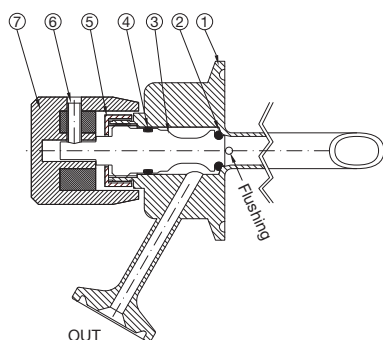
Int. finishing: $Ra \leq 0,4 \mu m$
Ext. finishing: $Ra \leq 0,8 \mu m$ Mirror Polished

Max Working Conditions:
12 bar (170 psi) and 150°C (300°F)

Installation:
Check correct flow direction during assembly
Horizontal installation recommended



Spare parts



N°	Name	Material
1	Body	AISI 316L
2	O-Ring 3021	FPM/FKM or EPDM or SILICONE FDA or SILICONE USP 121
3	Piston	AISI 316L
4	O-Ring 2037	FPM/FKM or EPDM or SILICONE FDA or SILICONE USP 121
5	Ring	AISI 316L
6	Grub Screw M4	AISI 304
7	Handle	PTFE + INOX

N°	Description	Valve size	Code
2+4	O-Ring Kit 3021 / 2037 FPM/FKM - n° 10 + 10 pcs	all sizes	ORSV1010V
2+4	O-Ring Kit 3021 / 2037 EPDM - n° 10 + 10 pcs	all sizes	ORSV1010EP
2+4	O-Ring Kit 3021 / 2037 SILICONE FDA - n° 10 + 10 pcs	all sizes	ORSV1010SIF
2+4	O-Ring Kit 3021 / 2037 SILICONE USP 121° - n° 10 + 10 pcs	all sizes	ORSV1010SI121
5	Ring - n° 1 pcs	all sizes	AAAA0090
6	Grub Screw M4 Kit - n° 10 pcs	all sizes	ORSVM4X10
7	Handle PTFE + INOX - n° 1 pcs	all sizes	ORSVHA1



Select L (Left) or R (Right) or UP (Up) design. Codes showed on this catalog are for "right to left" (R) flow. Change last letter on the code tab to order valves with correct flow.

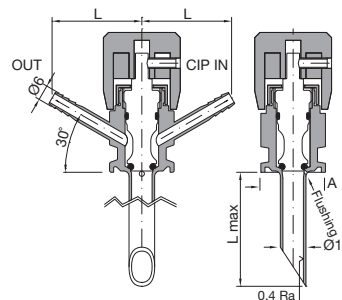
ASTM A270 Tri-Clamp - Flange design according to ASME-BPE
DIN 32676 Tri-Clamp
ISO 1127 Tri-Clamp

Ø A	L	L max	Valve Material	O-Rings Material	Code
25,00	35,00	80,00	1.4404	FPM/FKM	058C6TC25VR
				EPDM	058C6TC25EPR
				SILICONE FDA	058C6TC25SIFR
				SILICONE USP 121	058C6TC25SI121R
34,00	35,00	80,00	1.4404	FPM/FKM	058C6TC34VR
				EPDM	058C6TC34EPR
				SILICONE FDA	058C6TC34SIFR
				SILICONE USP 121	058C6TC34SI121R
50,50	41,00	80,00	1.4404	FPM/FKM	058C6TC50VR
				EPDM	058C6TC50EPR
				SILICONE FDA	058C6TC50SIFR
				SILICONE USP 121	058C6TC50SI121R

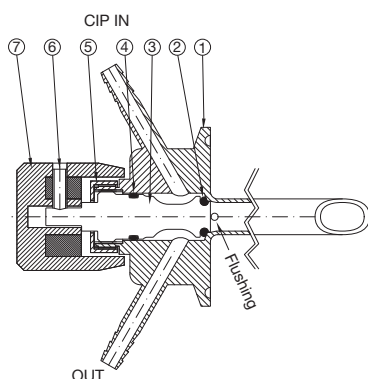
Int. finishing: Ra ≤ 0,4 µm
Ext. finishing: Ra ≤ 0,8 µm Mirror Polished

Max Working Conditions:
12 bar (170 psi) and 150°C (300°F)

Installation:
Check correct flow direction during assembly
Horizontal installation recommended



Spare parts



N°	Name	Material
1	Body	AISI 316L
2	O-Ring 3021	FPM/FKM or EPDM or SILICONE FDA or SILICONE USP 121
3	Piston	AISI 316L
4	O-Ring 2037	FPM/FKM or EPDM or SILICONE FDA or SILICONE USP 121
5	Ring	AISI 316L
6	Grub Screw M4	AISI 304
7	Handle	PTFE + INOX

N°	Description	Valve size	Code
2+4	O-Ring Kit 3021 / 2037 FPM/FKM - n° 10 + 10 pcs	all sizes	ORSV1010V
2+4	O-Ring Kit 3021 / 2037 EPDM - n° 10 + 10 pcs	all sizes	ORSV1010EP
2+4	O-Ring Kit 3021 / 2037 SILICONE FDA - n° 10 + 10 pcs	all sizes	ORSV1010SIF
2+4	O-Ring Kit 3021 / 2037 SILICONE USP 121 - n° 10 + 10 pcs	all sizes	ORSV1010SI121
5	Ring - n° 1 pcs	all sizes	AAAA0090
6	Grub Screw M4 Kit - n° 10 pcs	all sizes	ORSVM4X10
7	Handle PTFE + INOX - n° 1 pcs	all sizes	ORSVHA1



Select L (Left) or R (Right) or UP (Up) design. Codes showed on this catalog are for "right to left" (R) flow. Change last letter on the code tab to order valves with correct flow.

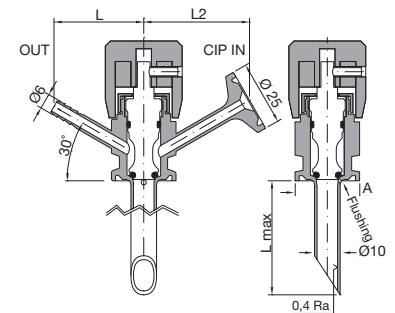
ASTM A270 Tri-Clamp - Flange design according to ASME-BPE
DIN 32676 Tri-Clamp
ISO 1127 Tri-Clamp

Ø A	L	L2	L max	Valve Material	O-Rings Material	Code
25,00	35,00	46,00	80,00	1.4404	FPM/FKM	058D6TC25VR
					EPDM	058D6TC25EPR
					SILICONE FDA	058D6TC25SIFR
					SILICONE USP 121	058D6TC25SI121R
34,00	35,00	46,00	80,00	1.4404	FPM/FKM	058D6TC34VR
					EPDM	058D6TC34EPR
					SILICONE FDA	058D6TC34SIFR
					SILICONE USP 121	058D6TC34SI121R
50,50	41,00	52,00	80,00	1.4404	FPM/FKM	058D6TC50VR
					EPDM	058D6TC50EPR
					SILICONE FDA	058D6TC50SIFR
					SILICONE USP 121	058D6TC50SI121R

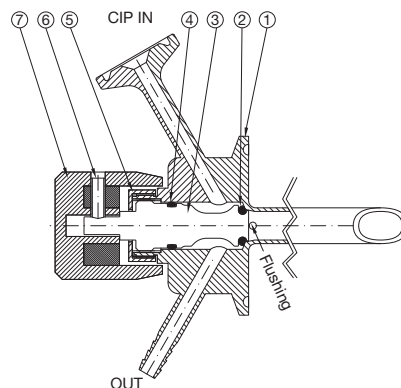
Int. finishing: Ra ≤ 0,4 µm
Ext. finishing: Ra ≤ 0,8 µm Mirror Polished

Max Working Conditions:
12 bar (170 psi) and 150°C (300°F)

Installation:
Check correct flow direction during assembly
Horizontal installation recommended



Spare parts



N°	Name	Material
1	Body	AISI 316L
2	O-Ring 3021	FPM/FKM or EPDM or SILICONE FDA or SILICONE USP 121
3	Piston	AISI 316L
4	O-Ring 2037	FPM/FKM or EPDM or SILICONE FDA or SILICONE USP 121
5	Ring	AISI 316L
6	Grub Screw M4	AISI 304
7	Handle	PTFE + INOX

N°	Description	Valve size	Code
2+4	O-Ring Kit 3021 / 2037 FPM/FKM - n° 10 + 10 pcs	all sizes	ORSV1010V
2+4	O-Ring Kit 3021 / 2037 EPDM - n° 10 + 10 pcs	all sizes	ORSV1010EP
2+4	O-Ring Kit 3021 / 2037 SILICONE FDA - n° 10 + 10 pcs	all sizes	ORSV1010SIF
2+4	O-Ring Kit 3021 / 2037 SILICONE USP 121° - n° 10 + 10 pcs	all sizes	ORSV1010SI121
5	Ring - n° 1 pcs	all sizes	AAAA0090
6	Grub Screw M4 Kit - n° 10 pcs	all sizes	ORSVM4X10
7	Handle PTFE + INOX - n° 1 pcs	all sizes	ORSVHA1



Select L (Left) or R (Right) or UP (Up) design. Codes showed on this catalog are for "right to left" (R) flow. Change last letter on the code tab to order valves with correct flow.

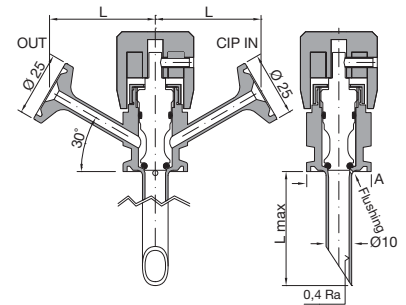
ASTM A270 Tri-Clamp - Flange design according to ASME-BPE
DIN 32676 Tri-Clamp
ISO 1127 Tri-Clamp

Ø A	L	L2	L max	Valve Material	O-Rings Material	Code
25,00	35,00	46,00	80,00	1.4404	FPM/FKM	058E6TC25VR
					EPDM	058E6TC25EPR
					SILICONE FDA	058E6TC25SIFR
					SILICONE USP 121	058E6TC25SI121R
34,00	35,00	46,00	80,00	1.4404	FPM/FKM	058E6TC34VR
					EPDM	058E6TC34EPR
					SILICONE FDA	058E6TC34SIFR
					SILICONE USP 121	058E6TC34SI121R
50,50	41,00	52,00	80,00	1.4404	FPM/FKM	058E6TC50VR
					EPDM	058E6TC50EPR
					SILICONE FDA	058E6TC50SIFR
					SILICONE USP 121	058E6TC50SI121R

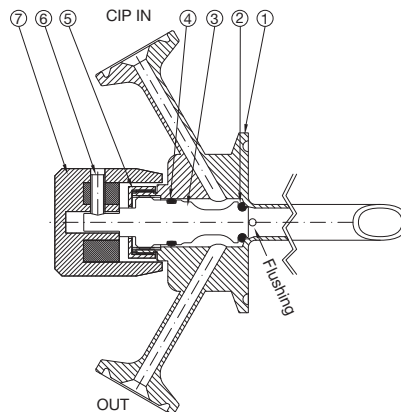
Int. finishing: $Ra \leq 0,4 \mu m$
Ext. finishing: $Ra \leq 0,8 \mu m$ Mirror Polished

Max Working Conditions:
12 bar (170 psi) and 150°C (300°F)

Installation:
Check correct flow direction during assembly
Horizontal installation recommended



Spare parts



N°	Name	Material
1	Body	AISI 316L
2	O-Ring 3021	FPM/FKM or EPDM or SILICONE FDA or SILICONE USP 121
3	Piston	AISI 316L
4	O-Ring 2037	FPM/FKM or EPDM or SILICONE FDA or SILICONE USP 121
5	Ring	AISI 316L
6	Grub Screw M4	AISI 304
7	Handle	PTFE + INOX

N°	Description	Valve size	Code
2+4	O-Ring Kit 3021 / 2037 FPM/FKM - n° 10 + 10 pcs	all sizes	ORSV1010V
2+4	O-Ring Kit 3021 / 2037 EPDM - n° 10 + 10 pcs	all sizes	ORSV1010EP
2+4	O-Ring Kit 3021 / 2037 SILICONE FDA - n° 10 + 10 pcs	all sizes	ORSV1010SIF
2+4	O-Ring Kit 3021 / 2037 SILICONE USP 121° - n° 10 + 10 pcs	all sizes	ORSV1010SI121
5	Ring - n° 1 pcs	all sizes	AAAA0090
6	Grub Screw M4 Kit - n° 10 pcs	all sizes	ORSVM4X10
7	Handle PTFE + INOX - n° 1 pcs	all sizes	ORSVHA1



Select L (Left) or R (Right) or UP (Up) design. Codes showed on this catalog are for "right to left" (R) flow. Change last letter on the code tab to order valves with correct flow.

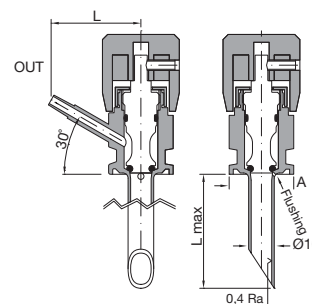
ASTM A270 Tri-Clamp - Flange design according to ASME-BPE
DIN 32676 Tri-Clamp
ISO 1127 Tri-Clamp

Ø A	L	L max	Valve Material	O-Rings Material	Code
25,00	35,00	80,00	1.4404	FPM/FKM	058G6TC25VR
				EPDM	058G6TC25EPR
				SILICONE FDA	058G6TC25SIFR
				SILICONE USP 121	058G6TC25SI121R
34,00	35,00	80,00	1.4404	FPM/FKM	058G6TC34VR
				EPDM	058G6TC34EPR
				SILICONE FDA	058G6TC34SIFR
				SILICONE USP 121	058G6TC34SI121R
50,50	41,00	80,00	1.4404	FPM/FKM	058G6TC50VR
				EPDM	058G6TC50EPR
				SILICONE FDA	058G6TC50SIFR
				SILICONE USP 121	058G6TC50SI121R

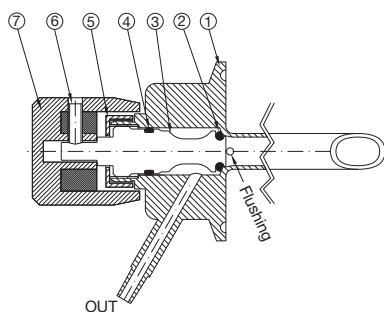
Int. finishing: Ra ≤ 0,4 µm
Ext. finishing: Ra ≤ 0,8 µm Mirror Polished

Max Working Conditions:
12 bar (170 psi) and 150°C (300°F)

Installation:
Check correct flow direction during assembly
Horizontal installation recommended



Spare parts



N°	Name	Material
1	Body	AISI 316L
2	O-Ring 3021	FPM/FKM or EPDM or SILICONE FDA or SILICONE USP 121
3	Piston	AISI 316L
4	O-Ring 2037	FPM/FKM or EPDM or SILICONE FDA or SILICONE USP 121
5	Ring	AISI 316L
6	Grub Screw M4	AISI 304
7	Handle	PTFE + INOX

N°	Description	Valve size	Code
2+4	O-Ring Kit 3021 / 2037 FPM/FKM - n° 10 + 10 pcs	all sizes	ORSV1010V
2+4	O-Ring Kit 3021 / 2037 EPDM - n° 10 + 10 pcs	all sizes	ORSV1010EP
2+4	O-Ring Kit 3021 / 2037 SILICONE FDA - n° 10 + 10 pcs	all sizes	ORSV1010SIF
2+4	O-Ring Kit 3021 / 2037 SILICONE USP 121° - n° 10 + 10 pcs	all sizes	ORSV1010SI121
5	Ring - n° 1 pcs	all sizes	AAAA0090
6	Grub Screw M4 Kit - n° 10 pcs	all sizes	ORSVM4X10
7	Handle PTFE + INOX - n° 1 pcs	all sizes	ORSVHA1



Select L (Left) or R (Right) or UP (Up) design. Codes showed on this catalog are for "right to left" (R) flow. Change last letter on the code tab to order valves with correct flow.

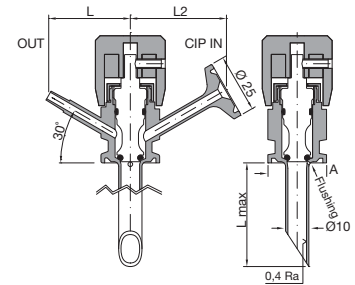
ASTM A270 Tri-Clamp - Flange design according to ASME-BPE
DIN 32676 Tri-Clamp
ISO 1127 Tri-Clamp

Ø A	L	L2	L max	Valve Material	O-Rings Material	Code
25,00	35,00	46,00	80,00	1.4404	FPM/FKM	058H6TC25VR
					EPDM	058H6TC25EPR
					SILICONE FDA	058H6TC25SIFR
					SILICONE USP 121	058H6TC25SI121R
34,00	35,00	46,00	80,00	1.4404	FPM/FKM	058H6TC34VR
					EPDM	058H6TC34EPR
					SILICONE FDA	058H6TC34SIFR
					SILICONE USP 121	058H6TC34SI121R
50,50	41,00	52,00	80,00	1.4404	FPM/FKM	058H6TC50VR
					EPDM	058H6TC50EPR
					SILICONE FDA	058H6TC50SIFR
					SILICONE USP 121	058H6TC50SI121R

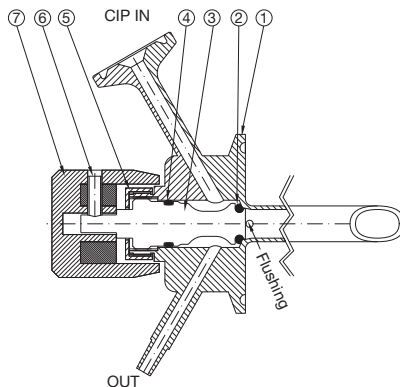
Int. finishing: Ra ≤ 0,4 µm
Ext. finishing: Ra ≤ 0,8 µm Mirror Polished

Max Working Conditions:
12 bar (170 psi) and 150°C (300°F)

Installation:
Check correct flow direction during assembly
Horizontal installation recommended



Spare parts



N°	Name	Material
1	Body	AISI 316L
2	O-Ring 3021	FPM/FKM or EPDM or SILICONE FDA or SILICONE USP 121
3	Piston	AISI 316L
4	O-Ring 2037	FPM/FKM or EPDM or SILICONE FDA or SILICONE USP 121
5	Ring	AISI 316L
6	Grub Screw M4	AISI 304
7	Handle	PTFE + INOX

N°	Description	Valve size	Code
2+4	O-Ring Kit 3021 / 2037 FPM/FKM - n° 10 + 10 pcs	all sizes	ORSV1010V
2+4	O-Ring Kit 3021 / 2037 EPDM - n° 10 + 10 pcs	all sizes	ORSV1010EP
2+4	O-Ring Kit 3021 / 2037 SILICONE FDA - n° 10 + 10 pcs	all sizes	ORSV1010SIF
2+4	O-Ring Kit 3021 / 2037 SILICONE USP 121 - n° 10 + 10 pcs	all sizes	ORSV1010SI121
5	Ring - n° 1 pcs	all sizes	AAAA0090
6	Grub Screw M4 Kit - n° 10 pcs	all sizes	ORSVM4X10
7	Handle PTFE + INOX - n° 1 pcs	all sizes	ORSVHA1

// Wide range of sampling
solutions adaptable
to any connection



SIDE SAMPLING VALVES



ART. 044
90° O-Ring
Sampling Valves
P. 032



ART. 045
180° O-Ring
Sampling Valves
P. 040



ART. 090
30° O-Ring
Sampling Valves
P. 042



ART. 091
Ingold O-Ring
Sampling Valves
P. 050



ART. 023
90° Needle
Sampling Valves
P. 052



ART. 022
90° Needle Sampling Valves
Gas Threaded
P. 053



ART. 041
180° Needle
Sampling Valves
P. 054



ART. 033
180° Needle Sampling Valves
Gas Threaded
P. 055



ART. 344
90° O-Ring
Sampling Valves
P. 056



ART. 390
30° O-Ring
Sampling Valves
P. 057

Characteristics. Side pipe sanitary sampling valves are designed for sampling of liquids on pharmaceutical, chemical, F&B and cosmetics products. O-Ring closing system for Art. 044, Art. 045, Art. 090 and Art. 091, metal closing system for Art. 022, Art. 023, Art. 033, Art. 041.

Documentation. Laser marking for traceability and validation processes. Material 3.1 certificates, FDA or USP, internal surface finishing check.

ART. 044

SIDE SAMPLING VALVES

90° O-RING SAMPLING VALVES



Characteristics: Designed for sampling of liquids on pharmaceutical, chemical, F&B and cosmetics products. O-Ring closing system.

Documentation: Laser marking for traceability and validation processes. Material 3.1 certificates, FDA or USP, internal surface finishing check as standard.

1 HOSE BARB OUTLET



ART. 044/A
P. 033

1 TRI-CLAMP OUTLET



ART. 044/B
P. 032

1 HOSE BARB OUTLET
+ 1 CIP HOSE BARB INLET



ART. 044/C
P. 035

1 HOSE BARB OUTLET
+ 1 CIP TRI-CLAMP INLET



ART. 044/D
P. 036

1 TRI-CLAMP OUTLET
+ 1 CIP TRI-CLAMP INLET



ART. 044/E
P. 037

1 LUER OUTLET



ART. 044/G
P. 038

1 LUER OUTLET
+ 1 CIP TRI-CLAMP INLET



ART. 044/H
P. 039



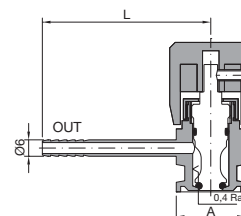
ASTM A270 Tri-Clamp - Flange design according to ASME-BPE
DIN 32676 Tri-Clamp
ISO 1127 Tri-Clamp

Ø A	L	Valve Material	O-Rings Material	Code
25,00	61,50	1.4404	FPM/FKM	044A6TC25V
			EPDM	044A6TC25EP
			SILICONE FDA	044A6TC25SIF
			SILICONE USP 121	044A6TC25SI121
34,00	61,50	1.4404	FPM/FKM	044A6TC34V
			EPDM	044A6TC34EP
			SILICONE FDA	044A6TC34SIF
			SILICONE USP 121	044A6TC34SI121
50,50	68,00	1.4404	FPM/FKM	044A6TC50V
			EPDM	044A6TC50EP
			SILICONE FDA	044A6TC50SIF
			SILICONE USP 121	044A6TC50SI121

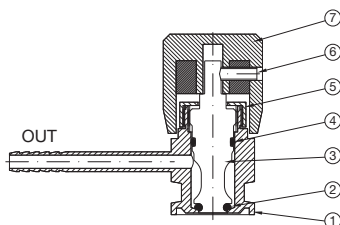
Int. finishing: **Ra ≤ 0,4 µm**
Ext. finishing: **Ra ≤ 0,8 µm Mirror Polished**

Max Working Conditions:
12 bar (170 psi) and 150°C (300°F)

Installation:
Horizontal installation recommended



Spare parts



N°	Name	Material
1	Body	AISI 316L
2	O-Ring 3021	FPM/FKM or EPDM or SILICONE FDA or SILICONE USP 121
3	Piston	AISI 316L
4	O-Ring 2037	FPM/FKM or EPDM or SILICONE FDA or SILICONE USP 121
5	Ring	AISI 316L
6	Grub Screw M4	AISI 304
7	Handle	PTFE + INOX

N°	Description	Valve size	Code
2+4	O-Ring Kit 3021 / 2037 FPM/FKM - n° 10 + 10 pcs	all sizes	ORSV1010V
2+4	O-Ring Kit 3021 / 2037 EPDM - n° 10 + 10 pcs	all sizes	ORSV1010EP
2+4	O-Ring Kit 3021 / 2037 SILICONE FDA - n° 10 + 10 pcs	all sizes	ORSV1010SIF
2+4	O-Ring Kit 3021 / 2037 SILICONE USP 121° - n° 10 + 10 pcs	all sizes	ORSV1010SI121
5	Ring - n° 1 pcs	all sizes	AAAA0090
6	Grub Screw M4 Kit - n° 10 pcs	all sizes	ORSVM4X10
7	Handle PTFE + INOX - n° 1 pcs	all sizes	ORSVHA1



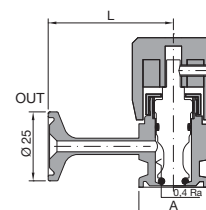
ASTM A270 Tri-Clamp - Flange design according to ASME-BPE
DIN 32676 Tri-Clamp
ISO 1127 Tri-Clamp

Ø A	L	Valve Material	O-Rings Material	Code
25,00	51,50	1.4404	FPM/FKM	044B6TC25V
			EPDM	044B6TC25EP
			SILICONE FDA	044B6TC25SIF
			SILICONE USP 121	044B6TC25SI121
34,00	51,50	1.4404	FPM/FKM	044B6TC34V
			EPDM	044B6TC34EP
			SILICONE FDA	044B6TC34SIF
			SILICONE USP 121	044B6TC34SI121
50,50	58,00	1.4404	FPM/FKM	044B6TC50V
			EPDM	044B6TC50EP
			SILICONE FDA	044B6TC50SIF
			SILICONE USP 121	044B6TC50SI121

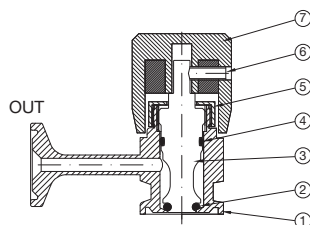
Int. finishing: **Ra ≤ 0,4 µm**
Ext. finishing: **Ra ≤ 0,8 µm Mirror Polished**

Max Working Conditions:
12 bar (170 psi) and 150°C (300°F)

Installation:
Horizontal installation recommended



Spare parts



N°	Name	Material
1	Body	AISI 316L
2	O-Ring 3021	FPM/FKM or EPDM or SILICONE FDA or SILICONE USP 121
3	Piston	AISI 316L
4	O-Ring 2037	FPM/FKM or EPDM or SILICONE FDA or SILICONE USP 121
5	Ring	AISI 316L
6	Grub Screw M4	AISI 304
7	Handle	PTFE + INOX

N°	Description	Valve size	Code
2+4	O-Ring Kit 3021 / 2037 FPM/FKM - n° 10 + 10 pcs	all sizes	ORSV1010V
2+4	O-Ring Kit 3021 / 2037 EPDM - n° 10 + 10 pcs	all sizes	ORSV1010EP
2+4	O-Ring Kit 3021 / 2037 SILICONE FDA - n° 10 + 10 pcs	all sizes	ORSV1010SIF
2+4	O-Ring Kit 3021 / 2037 SILICONE USP 121° - n° 10 + 10 pcs	all sizes	ORSV1010SI121
5	Ring - n° 1 pcs	all sizes	AAAA0090
6	Grub Screw M4 Kit - n° 10 pcs	all sizes	ORSVM4X10
7	Handle PTFE + INOX - n° 1 pcs	all sizes	ORSVHA1



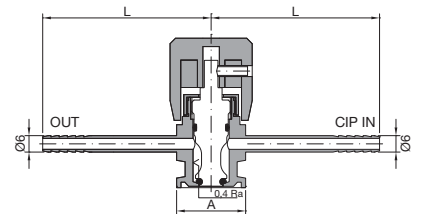
ASTM A270 Tri-Clamp - Flange design according to ASME-BPE
DIN 32676 Tri-Clamp
ISO 1127 Tri-Clamp

Ø A	L	Valve Material	O-Rings Material	Code
25,00	61,50	1.4404	FPM/FKM	044C6TC25V
			EPDM	044C6TC25EP
			SILICONE FDA	044C6TC25SIF
			SILICONE USP 121	044C6TC25SI121
34,00	61,50	1.4404	FPM/FKM	044C6TC34V
			EPDM	044C6TC34EP
			SILICONE FDA	044C6TC34SIF
			SILICONE USP 121	044C6TC34SI121
50,50	68,00	1.4404	FPM/FKM	044C6TC50V
			EPDM	044C6TC50EP
			SILICONE FDA	044C6TC50SIF
			SILICONE USP 121	044C6TC50SI121

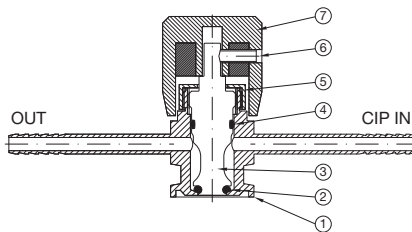
Int. finishing: **Ra ≤ 0,4 µm**
Ext. finishing: **Ra ≤ 0,8 µm Mirror Polished**

Max Working Conditions:
12 bar (170 psi) and 150°C (300°F)

Installation:
Horizontal installation recommended



Spare parts



N°	Name	Material
1	Body	AISI 316L
2	O-Ring 3021	FPM/FKM or EPDM or SILICONE FDA or SILICONE USP 121
3	Piston	AISI 316L
4	O-Ring 2037	FPM/FKM or EPDM or SILICONE FDA or SILICONE USP 121
5	Ring	AISI 316L
6	Grub Screw M4	AISI 304
7	Handle	PTFE + INOX

N°	Description	Valve size	Code
2+4	O-Ring Kit 3021 / 2037 FPM/FKM - n° 10 + 10 pcs	all sizes	ORSV1010V
2+4	O-Ring Kit 3021 / 2037 EPDM - n° 10 + 10 pcs	all sizes	ORSV1010EP
2+4	O-Ring Kit 3021 / 2037 SILICONE FDA - n° 10 + 10 pcs	all sizes	ORSV1010SIF
2+4	O-Ring Kit 3021 / 2037 SILICONE USP 121° - n° 10 + 10 pcs	all sizes	ORSV1010SI121
5	Ring - n° 1 pcs	all sizes	AAAA0090
6	Grub Screw M4 Kit - n° 10 pcs	all sizes	ORSVM4X10
7	Handle PTFE + INOX - n° 1 pcs	all sizes	ORSVHA1



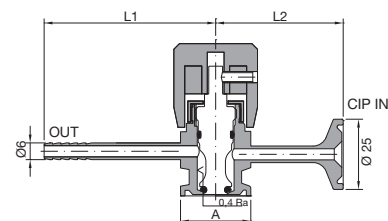
ASTM A270 Tri-Clamp - Flange design according to ASME-BPE
DIN 32676 Tri-Clamp
ISO 1127 Tri-Clamp

Ø A	L1	L2	Valve Material	O-Rings Material	Code
25,00	61,50	51,50	1.4404	FPM/FKM	044D6TC25V
				EPDM	044D6TC25EP
				SILICONE FDA	044D6TC25SIF
				SILICONE USP 121	044D6TC25SI121
34,00	61,50	51,50	1.4404	FPM/FKM	044D6TC34V
				EPDM	044D6TC34EP
				SILICONE FDA	044D6TC34SIF
				SILICONE USP 121	044D6TC34SI121
50,50	68,00	58,00	1.4404	FPM/FKM	044D6TC50V
				EPDM	044D6TC50EP
				SILICONE FDA	044D6TC50SIF
				SILICONE USP 121	044D6TC50SI121

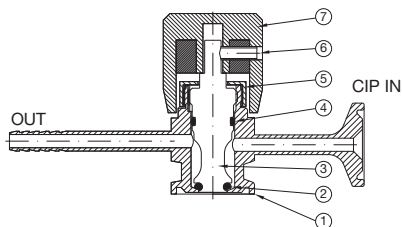
Int. finishing: **Ra ≤ 0,4 µm**
Ext. finishing: **Ra ≤ 0,8 µm Mirror Polished**

Max Working Conditions:
12 bar (170 psi) and 150°C (300°F)

Installation:
Horizontal installation recommended



Spare parts



N°	Name	Material
1	Body	AISI 316L
2	O-Ring 3021	FPM/FKM or EPDM or SILICONE FDA or SILICONE USP 121
3	Piston	AISI 316L
4	O-Ring 2037	FPM/FKM or EPDM or SILICONE FDA or SILICONE USP 121
5	Ring	AISI 316L
6	Grub Screw M4	AISI 304
7	Handle	PTFE + INOX

N°	Description	Valve size	Code
2+4	O-Ring Kit 3021 / 2037 FPM/FKM - n° 10 + 10 pcs	all sizes	ORSV1010V
2+4	O-Ring Kit 3021 / 2037 EPDM - n° 10 + 10 pcs	all sizes	ORSV1010EP
2+4	O-Ring Kit 3021 / 2037 SILICONE FDA - n° 10 + 10 pcs	all sizes	ORSV1010SIF
2+4	O-Ring Kit 3021 / 2037 SILICONE USP 121° - n° 10 + 10 pcs	all sizes	ORSV1010SI121
5	Ring - n° 1 pcs	all sizes	AAAA0090
6	Grub Screw M4 Kit - n° 10 pcs	all sizes	ORSVM4X10
7	Handle PTFE + INOX - n° 1 pcs	all sizes	ORSVHA1



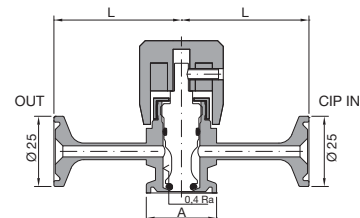
ASTM A270 Tri-Clamp - Flange design according to ASME-BPE
DIN 32676 Tri-Clamp
ISO 1127 Tri-Clamp

Ø A	L	Valve Material	O-Rings Material	Code
25,00	51,50	1.4404	FPM/FKM	044E6TC25V
			EPDM	044E6TC25EP
			SILICONE FDA	044E6TC25SIF
			SILICONE USP 121	044E6TC25SI121
34,00	51,50	1.4404	FPM/FKM	044E6TC34V
			EPDM	044E6TC34EP
			SILICONE FDA	044E6TC34SIF
			SILICONE USP 121	044E6TC34SI121
50,50	58,00	1.4404	FPM/FKM	044E6TC50V
			EPDM	044E6TC50EP
			SILICONE FDA	044E6TC50SIF
			SILICONE USP 121	044E6TC50SI121

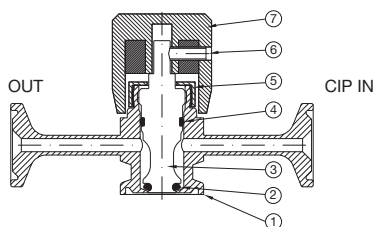
Int. finishing: **Ra ≤ 0,4 µm**
Ext. finishing: **Ra ≤ 0,8 µm Mirror Polished**

Max Working Conditions:
12 bar (170 psi) and 150°C (300°F)

Installation:
Horizontal installation recommended



Spare parts



N°	Name	Material
1	Body	AISI 316L
2	O-Ring 3021	FPM/FKM or EPDM or SILICONE FDA or SILICONE USP 121
3	Piston	AISI 316L
4	O-Ring 2037	FPM/FKM or EPDM or SILICONE FDA or SILICONE USP 121
5	Ring	AISI 316L
6	Grub Screw M4	AISI 304
7	Handle	PTFE + INOX

N°	Description	Valve size	Code
2+4	O-Ring Kit 3021 / 2037 FPM/FKM - n° 10 + 10 pcs	all sizes	ORSV1010V
2+4	O-Ring Kit 3021 / 2037 EPDM - n° 10 + 10 pcs	all sizes	ORSV1010EP
2+4	O-Ring Kit 3021 / 2037 SILICONE FDA - n° 10 + 10 pcs	all sizes	ORSV1010SIF
2+4	O-Ring Kit 3021 / 2037 SILICONE USP 121° - n° 10 + 10 pcs	all sizes	ORSV1010SI121
5	Ring - n° 1 pcs	all sizes	AAAA0090
6	Grub Screw M4 Kit - n° 10 pcs	all sizes	ORSVM4X10
7	Handle PTFE + INOX - n° 1 pcs	all sizes	ORSVHA1



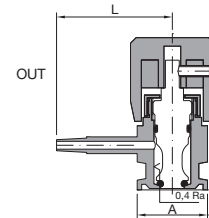
ASTM A270 Tri-Clamp - Flange design according to ASME-BPE
DIN 32676 Tri-Clamp
ISO 1127 Tri-Clamp

Ø A	L	Valve Material	O-Rings Material	Code
25,00	40,00	1.4404	FPM/FKM	044G6TC25V
			EPDM	044G6TC25EP
			SILICONE FDA	044G6TC25SIF
			SILICONE USP 121	044G6TC25SI121
34,00	40,00	1.4404	FPM/FKM	044G6TC34V
			EPDM	044G6TC34EP
			SILICONE FDA	044G6TC34SIF
			SILICONE USP 121	044G6TC34SI121
50,50	46,50	1.4404	FPM/FKM	044G6TC50V
			EPDM	044G6TC50EP
			SILICONE FDA	044G6TC50SIF
			SILICONE USP 121	044G6TC50SI121

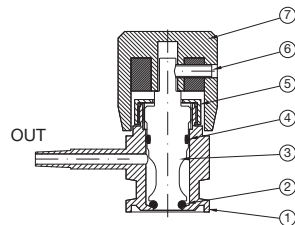
Int. finishing: **Ra ≤ 0,4 µm**
Ext. finishing: **Ra ≤ 0,8 µm Mirror Polished**

Max Working Conditions:
12 bar (170 psi) and 150°C (300°F)

Installation:
Horizontal installation recommended



Spare parts



N°	Name	Material
1	Body	AISI 316L
2	O-Ring 3021	FPM/FKM or EPDM or SILICONE FDA or SILICONE USP 121
3	Piston	AISI 316L
4	O-Ring 2037	FPM/FKM or EPDM or SILICONE FDA or SILICONE USP 121
5	Ring	AISI 316L
6	Grub Screw M4	AISI 304
7	Handle	PTFE + INOX

N°	Description	Valve size	Code
2+4	O-Ring Kit 3021 / 2037 FPM/FKM - n° 10 + 10 pcs	all sizes	ORSV1010V
2+4	O-Ring Kit 3021 / 2037 EPDM - n° 10 + 10 pcs	all sizes	ORSV1010EP
2+4	O-Ring Kit 3021 / 2037 SILICONE FDA - n° 10 + 10 pcs	all sizes	ORSV1010SIF
2+4	O-Ring Kit 3021 / 2037 SILICONE USP 121° - n° 10 + 10 pcs	all sizes	ORSV1010SI121
5	Ring - n° 1 pcs	all sizes	AAAA0090
6	Grub Screw M4 Kit - n° 10 pcs	all sizes	ORSVM4X10
7	Handle PTFE + INOX - n° 1 pcs	all sizes	ORSVHA1



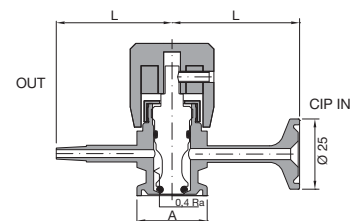
ASTM A270 Tri-Clamp - Flange design according to ASME-BPE
DIN 32676 Tri-Clamp
ISO 1127 Tri-Clamp

Ø A	L1	L2	Valve Material	O-Rings Material	Code
25,00	40,00	51,50	1.4404	FPM/FKM	044H6TC25V
				EPDM	044H6TC25EP
				SILICONE FDA	044H6TC25SIF
				SILICONE USP 121	044H6TC25SI121
34,00	40,00	51,50	1.4404	FPM/FKM	044H6TC34V
				EPDM	044H6TC34EP
				SILICONE FDA	044H6TC34SIF
				SILICONE USP 121	044H6TC34SI121
50,50	46,50	58,00	1.4404	FPM/FKM	044H6TC50V
				EPDM	044H6TC50EP
				SILICONE FDA	044H6TC50SIF
				SILICONE USP 121	044H6TC50SI121

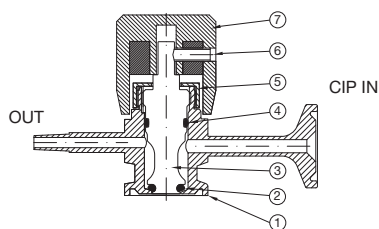
Int. finishing: **Ra ≤ 0,4 µm**
Ext. finishing: **Ra ≤ 0,8 µm Mirror Polished**

Max Working Conditions:
12 bar (170 psi) and 150°C (300°F)

Installation:
Horizontal installation recommended



Spare parts



N°	Name	Material
1	Body	AISI 316L
2	O-Ring 3021	FPM/FKM or EPDM or SILICONE FDA or SILICONE USP 121
3	Piston	AISI 316L
4	O-Ring 2037	FPM/FKM or EPDM or SILICONE FDA or SILICONE USP 121
5	Ring	AISI 316L
6	Grub Screw M4	AISI 304
7	Handle	PTFE + INOX

N°	Description	Valve size	Code
2+4	O-Ring Kit 3021 / 2037 FPM/FKM - n° 10 + 10 pcs	all sizes	ORSV1010V
2+4	O-Ring Kit 3021 / 2037 EPDM - n° 10 + 10 pcs	all sizes	ORSV1010EP
2+4	O-Ring Kit 3021 / 2037 SILICONE FDA - n° 10 + 10 pcs	all sizes	ORSV1010SIF
2+4	O-Ring Kit 3021 / 2037 SILICONE USP 121° - n° 10 + 10 pcs	all sizes	ORSV1010SI121
5	Ring - n° 1 pcs	all sizes	AAAA0090
6	Grub Screw M4 Kit - n° 10 pcs	all sizes	ORSVM4X10
7	Handle PTFE + INOX - n° 1 pcs	all sizes	ORSVHA1



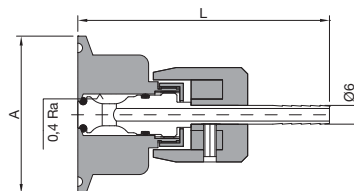
ASTM A270 Tri-Clamp - Flange design according to ASME-BPE
DIN 32676 Tri-Clamp
ISO 1127 Tri-Clamp

Ø A	L	Valve Material	O-Rings Material	Code
25,00	80,00	1.4404	FPM/FKM	045A6TC25V
			EPDM	045A6TC25EP
			SILICONE FDA	045A6TC25SIF
			SILICONE USP 121	045A6TC25SI121
34,00	80,00	1.4404	FPM/FKM	045A6TC34V
			EPDM	045A6TC34EP
			SILICONE FDA	045A6TC34SIF
			SILICONE USP 121	045A6TC34SI121
50,50	80,00	1.4404	FPM/FKM	045A6TC50V
			EPDM	045A6TC50EP
			SILICONE FDA	045A6TC50SIF
			SILICONE USP 121	045A6TC50SI121

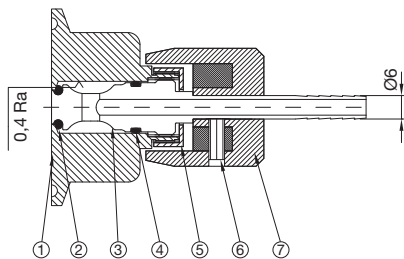
Int. finishing: **Ra ≤ 0,4 µm**
Ext. finishing: **Ra ≤ 0,8 µm Mirror Polished**

Max Working Conditions:
12 bar (170 psi) and 150°C (300°F)

Installation:
Vertical installation recommended



Spare parts



N°	Name	Material
1	Body	AISI 316L
2	O-Ring 3021	FPM/FKM or EPDM or SILICONE FDA or SILICONE USP 121
3	Piston	AISI 316L
4	O-Ring 2037	FPM/FKM or EPDM or SILICONE FDA or SILICONE USP 121
5	Ring	AISI 316L
6	Grub Screw M4	AISI 304
7	Handle	PTFE + INOX

N°	Description	Valve size	Code
2+4	O-Ring Kit 3021 / 2037 FPM/FKM - n° 10 + 10 pcs	all sizes	ORSV1010V
2+4	O-Ring Kit 3021 / 2037 EPDM - n° 10 + 10 pcs	all sizes	ORSV1010EP
2+4	O-Ring Kit 3021 / 2037 SILICONE FDA - n° 10 + 10 pcs	all sizes	ORSV1010SIF
2+4	O-Ring Kit 3021 / 2037 SILICONE USP 121° - n° 10 + 10 pcs	all sizes	ORSV1010SI121
5	Ring - n° 1 pcs	all sizes	AAAA0090
6	Grub Screw M4 Kit - n° 10 pcs	all sizes	ORSVM4X10
7	Handle PTFE + INOX - n° 1 pcs	all sizes	ORSVHA2



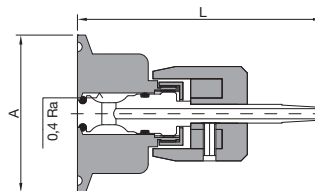
ASTM A270 Tri-Clamp - Flange design according to ASME-BPE
DIN 32676 Tri-Clamp
ISO 1127 Tri-Clamp

Ø A	L	Valve Material	O-Rings Material	Code
25,00	68,00	1.4404	FPM/FKM	045G6TC25V
			EPDM	045G6TC25EP
			SILICONE FDA	045G6TC25SIF
			SILICONE USP 121	045G6TC25SI121
34,00	68,00	1.4404	FPM/FKM	045G6TC34V
			EPDM	045G6TC34EP
			SILICONE FDA	045G6TC34SIF
			SILICONE USP 121	045G6TC34SI121
50,50	68,00	1.4404	FPM/FKM	045G6TC50V
			EPDM	045G6TC50EP
			SILICONE FDA	045G6TC50SIF
			SILICONE USP 121	045G6TC50SI121

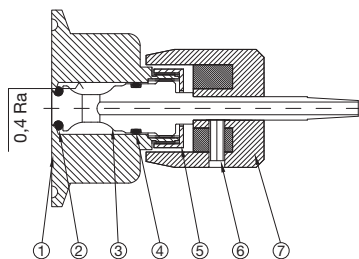
Int. finishing: **Ra ≤ 0,4 µm**
Ext. finishing: **Ra ≤ 0,8 µm Mirror Polished**

Max Working Conditions:
12 bar (170 psi) and 150°C (300°F)

Installation:
Vertical installation recommended



Spare parts



N°	Name	Material
1	Body	AISI 316L
2	O-Ring 3021	FPM/FKM or EPDM or SILICONE FDA or SILICONE USP 121
3	Piston	AISI 316L
4	O-Ring 2037	FPM/FKM or EPDM or SILICONE FDA or SILICONE USP 121
5	Ring	AISI 316L
6	Grub Screw M4	AISI 304
7	Handle	PTFE + INOX

N°	Description	Valve size	Code
2+4	O-Ring Kit 3021 / 2037 FPM/FKM - n° 10 + 10 pcs	all sizes	ORSV1010V
2+4	O-Ring Kit 3021 / 2037 EPDM - n° 10 + 10 pcs	all sizes	ORSV1010EP
2+4	O-Ring Kit 3021 / 2037 SILICONE FDA - n° 10 + 10 pcs	all sizes	ORSV1010SIF
2+4	O-Ring Kit 3021 / 2037 SILICONE USP 121° - n° 10 + 10 pcs	all sizes	ORSV1010SI121
5	Ring - n° 1 pcs	all sizes	AAAA0090
6	Grub Screw M4 Kit - n° 10 pcs	all sizes	ORSVM4X10
7	Handle PTFE + INOX - n° 1 pcs	all sizes	ORSVHA2

090

ART.

SIDE SAMPLING VALVES



30° O-RING SAMPLING VALVES

Characteristics: Side pipe sanitary sampling valves are designed for sampling of liquids on pharmaceutical, chemical, F&B and cosmetics products. O-Ring closing system.

Documentation: Laser marking for traceability and validation processes. Material 3.1 certificates, FDA or USP, internal surface finishing check as standard.

1 HOSE BARB OUTLET



ART. 090/A
P. 043

1 TRI-CLAMP OUTLET



ART. 090/B
P. 042

1 HOSE BARB OUTLET
+ 1 CIP HOSE BARB INLET



ART. 090/C
P. 045

1 HOSE BARB OUTLET
+ 1 CIP TRI-CLAMP INLET



ART. 090/D
P. 046

1 TRI-CLAMP OUTLET
+ 1 CIP TRI-CLAMP INLET



ART. 090/E
P. 047

1 LUER OUTLET



ART. 090/G
P. 048

1 LUER OUTLET
+ 1 CIP TRI-CLAMP INLET



ART. 090/H
P. 049



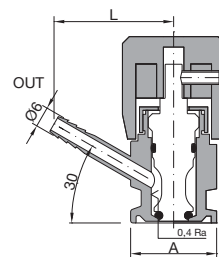
ASTM A270 Tri-Clamp - Flange design according to ASME-BPE
DIN 32676 Tri-Clamp
ISO 1127 Tri-Clamp

Ø A	L	Valve Material	O-Rings Material	Code
25,00	35,00	1.4404	FPM/FKM	090A6TC25V
			EPDM	090A6TC25EP
			SILICONE FDA	090A6TC25SIF
			SILICONE USP 121	090A6TC25SI121
34,00	35,00	1.4404	FPM/FKM	090A6TC34V
			EPDM	090A6TC34EP
			SILICONE FDA	090A6TC34SIF
			SILICONE USP 121	090A6TC34SI121
50,50	41,00	1.4404	FPM/FKM	090A6TC50V
			EPDM	090A6TC50EP
			SILICONE FDA	090A6TC50SIF
			SILICONE USP 121	090A6TC50SI121

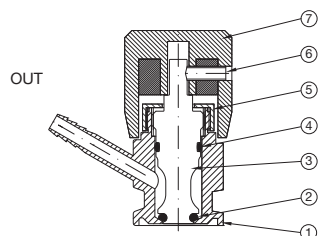
Int. finishing: **Ra ≤ 0,4 µm**
Ext. finishing: **Ra ≤ 0,8 µm Mirror Polished**

Max Working Conditions:
12 bar (170 psi) and 150°C (300°F)

Installation:
Horizontal installation recommended



Spare parts



N°	Name	Material
1	Body	AISI 316L
2	O-Ring 3021	FPM/FKM or EPDM or SILICONE FDA or SILICONE USP 121
3	Piston	AISI 316L
4	O-Ring 2037	FPM/FKM or EPDM or SILICONE FDA or SILICONE USP 121
5	Ring	AISI 316L
6	Grub Screw M4	AISI 304
7	Handle	PTFE + INOX

N°	Description	Valve size	Code
2+4	O-Ring Kit 3021 / 2037 FPM/FKM - n° 10 + 10 pcs	all sizes	ORSV1010V
2+4	O-Ring Kit 3021 / 2037 EPDM - n° 10 + 10 pcs	all sizes	ORSV1010EP
2+4	O-Ring Kit 3021 / 2037 SILICONE FDA - n° 10 + 10 pcs	all sizes	ORSV1010SIF
2+4	O-Ring Kit 3021 / 2037 SILICONE USP 121° - n° 10 + 10 pcs	all sizes	ORSV1010SI121
5	Ring - n° 1 pcs	all sizes	AAAA0090
6	Grub Screw M4 Kit - n° 10 pcs	all sizes	ORSVM4X10
7	Handle PTFE + INOX - n° 1 pcs	all sizes	ORSVHA1



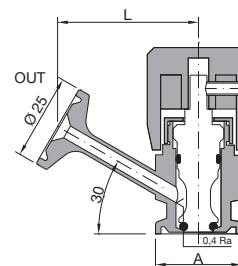
ASTM A270 Tri-Clamp - Flange design according to ASME-BPE
DIN 32676 Tri-Clamp
ISO 1127 Tri-Clamp

Ø A	L	Valve Material	O-Rings Material	Code
25,00	41,10	1.4404	FPM/FKM	090B6TC25V
			EPDM	090B6TC25EP
			SILICONE FDA	090B6TC25SIF
			SILICONE USP 121	090B6TC25SI121
34,00	41,10	1.4404	FPM/FKM	090B6TC34V
			EPDM	090B6TC34EP
			SILICONE FDA	090B6TC34SIF
			SILICONE USP 121	090B6TC34SI121
50,50	46,70	1.4404	FPM/FKM	090B6TC50V
			EPDM	090B6TC50EP
			SILICONE FDA	090B6TC50SIF
			SILICONE USP 121	090B6TC50SI121

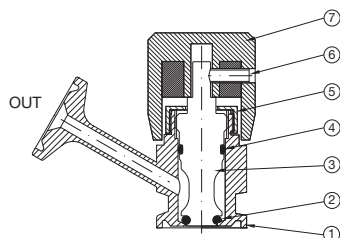
Int. finishing: $Ra \leq 0,4 \mu m$
Ext. finishing: $Ra \leq 0,8 \mu m$ Mirror Polished

Max Working Conditions:
12 bar (170 psi) and 150°C (300°F)

Installation:
Horizontal installation recommended



Spare parts



N°	Name	Material
1	Body	AISI 316L
2	O-Ring 3021	FPM/FKM or EPDM or SILICONE FDA or SILICONE USP 121
3	Piston	AISI 316L
4	O-Ring 2037	FPM/FKM or EPDM or SILICONE FDA or SILICONE USP 121
5	Ring	AISI 316L
6	Grub Screw M4	AISI 304
7	Handle	PTFE + INOX

N°	Description	Valve size	Code
2+4	O-Ring Kit 3021 / 2037 FPM/FKM - n° 10 + 10 pcs	all sizes	ORSV1010V
2+4	O-Ring Kit 3021 / 2037 EPDM - n° 10 + 10 pcs	all sizes	ORSV1010EP
2+4	O-Ring Kit 3021 / 2037 SILICONE FDA - n° 10 + 10 pcs	all sizes	ORSV1010SIF
2+4	O-Ring Kit 3021 / 2037 SILICONE USP 121° - n° 10 + 10 pcs	all sizes	ORSV1010SI121
5	Ring - n° 1 pcs	all sizes	AAAA0090
6	Grub Screw M4 Kit - n° 10 pcs	all sizes	ORSVM4X10
7	Handle PTFE + INOX - n° 1 pcs	all sizes	ORSVHA1



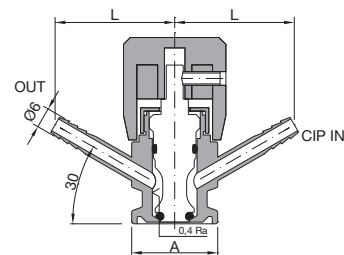
ASTM A270 Tri-Clamp - Flange design according to ASME-BPE
DIN 32676 Tri-Clamp
ISO 1127 Tri-Clamp

Ø A	L	Valve Material	O-Rings Material	Code
25,00	61,50	1.4404	FPM/FKM	090C6TC25V
			EPDM	090C6TC25EP
			SILICONE FDA	090C6TC25SIF
			SILICONE USP 121	090C6TC25SI121
34,00	61,50	1.4404	FPM/FKM	090C6TC34V
			EPDM	090C6TC34EP
			SILICONE FDA	090C6TC34SIF
			SILICONE USP 121	090C6TC34SI121
50,50	68,00	1.4404	FPM/FKM	090C6TC50V
			EPDM	090C6TC50EP
			SILICONE FDA	090C6TC50SIF
			SILICONE USP 121	090C6TC50SI121

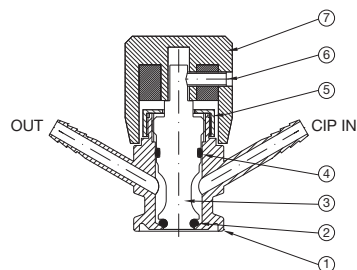
Int. finishing: **Ra ≤ 0,4 µm**
Ext. finishing: **Ra ≤ 0,8 µm Mirror Polished**

Max Working Conditions:
12 bar (170 psi) and 150°C (300°F)

Installation:
Horizontal installation recommended



Spare parts



N°	Name	Material
1	Body	AISI 316L
2	O-Ring 3021	FPM/FKM or EPDM or SILICONE FDA or SILICONE USP 121
3	Piston	AISI 316L
4	O-Ring 2037	FPM/FKM or EPDM or SILICONE FDA or SILICONE USP 121
5	Ring	AISI 316L
6	Grub Screw M4	AISI 304
7	Handle	PTFE + INOX

N°	Description	Valve size	Code
2+4	O-Ring Kit 3021 / 2037 FPM/FKM - n° 10 + 10 pcs	all sizes	ORSV1010V
2+4	O-Ring Kit 3021 / 2037 EPDM - n° 10 + 10 pcs	all sizes	ORSV1010EP
2+4	O-Ring Kit 3021 / 2037 SILICONE FDA - n° 10 + 10 pcs	all sizes	ORSV1010SIF
2+4	O-Ring Kit 3021 / 2037 SILICONE USP 121° - n° 10 + 10 pcs	all sizes	ORSV1010SI121
5	Ring - n° 1 pcs	all sizes	AAAA0090
6	Grub Screw M4 Kit - n° 10 pcs	all sizes	ORSVM4X10
7	Handle PTFE + INOX - n° 1 pcs	all sizes	ORSVHA1



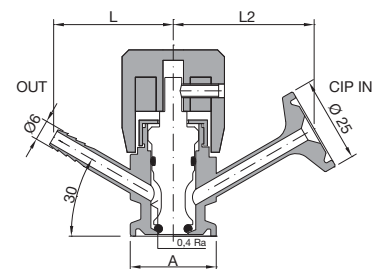
ASTM A270 Tri-Clamp - Flange design according to ASME-BPE
DIN 32676 Tri-Clamp
ISO 1127 Tri-Clamp

Ø A	L1	L2	Valve Material	O-Rings Material	Code
25,00	61,50	51,50	1.4404	FPM/FKM	090D6TC25V
				EPDM	090D6TC25EP
				SILICONE FDA	090D6TC25SIF
				SILICONE USP 121	090D6TC25SI121
34,00	61,50	51,50	1.4404	FPM/FKM	090D6TC34V
				EPDM	090D6TC34EP
				SILICONE FDA	090D6TC34SIF
				SILICONE USP 121	090D6TC34SI121
50,50	68,00	58,00	1.4404	FPM/FKM	090D6TC50V
				EPDM	090D6TC50EP
				SILICONE FDA	090D6TC50SIF
				SILICONE USP 121	090D6TC50SI121

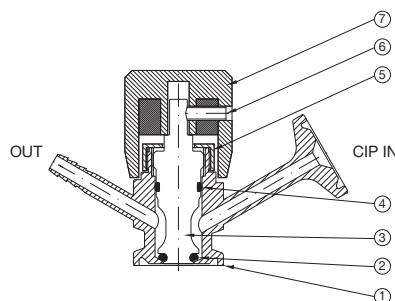
Int. finishing: **Ra ≤ 0,4 µm**
Ext. finishing: **Ra ≤ 0,8 µm Mirror Polished**

Max Working Conditions:
12 bar (170 psi) and 150°C (300°F)

Installation:
Horizontal installation recommended



Spare parts



N°	Name	Material
1	Body	AISI 316L
2	O-Ring 3021	FPM/FKM or EPDM or SILICONE FDA or SILICONE USP 121
3	Piston	AISI 316L
4	O-Ring 2037	FPM/FKM or EPDM or SILICONE FDA or SILICONE USP 121
5	Ring	AISI 316L
6	Grub Screw M4	AISI 304
7	Handle	PTFE + INOX

N°	Description	Valve size	Code
2+4	O-Ring Kit 3021 / 2037 FPM/FKM - n° 10 + 10 pcs	all sizes	ORSV1010V
2+4	O-Ring Kit 3021 / 2037 EPDM - n° 10 + 10 pcs	all sizes	ORSV1010EP
2+4	O-Ring Kit 3021 / 2037 SILICONE FDA - n° 10 + 10 pcs	all sizes	ORSV1010SIF
2+4	O-Ring Kit 3021 / 2037 SILICONE USP 121° - n° 10 + 10 pcs	all sizes	ORSV1010SI121
5	Ring - n° 1 pcs	all sizes	AAAA0090
6	Grub Screw M4 Kit - n° 10 pcs	all sizes	ORSVM4X10
7	Handle PTFE + INOX - n° 1 pcs	all sizes	ORSVHA1



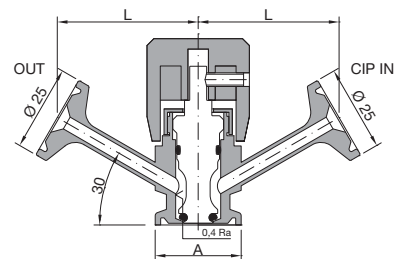
ASTM A270 Tri-Clamp - Flange design according to ASME-BPE
DIN 32676 Tri-Clamp
ISO 1127 Tri-Clamp

Ø A	L	Valve Material	O-Rings Material	Code
25,00	51,50	1.4404	FPM/FKM	090E6TC25V
			EPDM	090E6TC25EP
			SILICONE FDA	090E6TC25SIF
			SILICONE USP 121	090E6TC25SI121
34,00	51,50	1.4404	FPM/FKM	090E6TC34V
			EPDM	090E6TC34EP
			SILICONE FDA	090E6TC34SIF
			SILICONE USP 121	090E6TC34SI121
50,50	58,00	1.4404	FPM/FKM	090E6TC50V
			EPDM	090E6TC50EP
			SILICONE FDA	090E6TC50SIF
			SILICONE USP 121	090E6TC50SI121

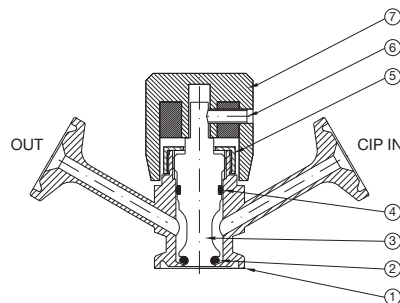
Int. finishing: **Ra ≤ 0,4 µm**
Ext. finishing: **Ra ≤ 0,8 µm Mirror Polished**

Max Working Conditions:
12 bar (170 psi) and 150°C (300°F)

Installation:
Horizontal installation recommended



Spare parts



N°	Name	Material
1	Body	AISI 316L
2	O-Ring 3021	FPM/FKM or EPDM or SILICONE FDA or SILICONE USP 121
3	Piston	AISI 316L
4	O-Ring 2037	FPM/FKM or EPDM or SILICONE FDA or SILICONE USP 121
5	Ring	AISI 316L
6	Grub Screw M4	AISI 304
7	Handle	PTFE + INOX

N°	Description	Valve size	Code
2+4	O-Ring Kit 3021 / 2037 FPM/FKM - n° 10 + 10 pcs	all sizes	ORSV1010V
2+4	O-Ring Kit 3021 / 2037 EPDM - n° 10 + 10 pcs	all sizes	ORSV1010EP
2+4	O-Ring Kit 3021 / 2037 SILICONE FDA - n° 10 + 10 pcs	all sizes	ORSV1010SIF
2+4	O-Ring Kit 3021 / 2037 SILICONE USP 121° - n° 10 + 10 pcs	all sizes	ORSV1010SI121
5	Ring - n° 1 pcs	all sizes	AAAA0090
6	Grub Screw M4 Kit - n° 10 pcs	all sizes	ORSVM4X10
7	Handle PTFE + INOX - n° 1 pcs	all sizes	ORSVHA1



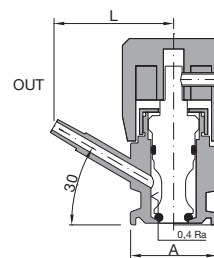
ASTM A270 Tri-Clamp - Flange design according to ASME-BPE
DIN 32676 Tri-Clamp
ISO 1127 Tri-Clamp

Ø A	L	Valve Material	O-Rings Material	Code
25,00	40,00	1.4404	FPM/FKM	090G6TC25V
			EPDM	090G6TC25EP
			SILICONE FDA	090G6TC25SIF
			SILICONE USP 121	090G6TC25SI121
34,00	40,00	1.4404	FPM/FKM	090G6TC34V
			EPDM	090G6TC34EP
			SILICONE FDA	090G6TC34SIF
			SILICONE USP 121	090G6TC34SI121
50,50	46,50	1.4404	FPM/FKM	090G6TC50V
			EPDM	090G6TC50EP
			SILICONE FDA	090G6TC50SIF
			SILICONE USP 121	090G6TC50SI121

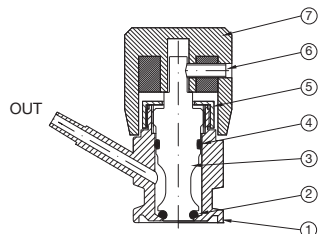
Int. finishing: **Ra ≤ 0,4 µm**
Ext. finishing: **Ra ≤ 0,8 µm Mirror Polished**

Max Working Conditions:
12 bar (170 psi) and 150°C (300°F)

Installation:
Horizontal installation recommended



Spare parts



N°	Name	Material
1	Body	AISI 316L
2	O-Ring 3021	FPM/FKM or EPDM or SILICONE FDA or SILICONE USP 121
3	Piston	AISI 316L
4	O-Ring 2037	FPM/FKM or EPDM or SILICONE FDA or SILICONE USP 121
5	Ring	AISI 316L
6	Grub Screw M4	AISI 304
7	Handle	PTFE + INOX

N°	Description	Valve size	Code
2+4	O-Ring Kit 3021 / 2037 FPM/FKM - n° 10 + 10 pcs	all sizes	ORSV1010V
2+4	O-Ring Kit 3021 / 2037 EPDM - n° 10 + 10 pcs	all sizes	ORSV1010EP
2+4	O-Ring Kit 3021 / 2037 SILICONE FDA - n° 10 + 10 pcs	all sizes	ORSV1010SIF
2+4	O-Ring Kit 3021 / 2037 SILICONE USP 121° - n° 10 + 10 pcs	all sizes	ORSV1010SI121
5	Ring - n° 1 pcs	all sizes	AAAA0090
6	Grub Screw M4 Kit - n° 10 pcs	all sizes	ORSVM4X10
7	Handle PTFE + INOX - n° 1 pcs	all sizes	ORSVHA1



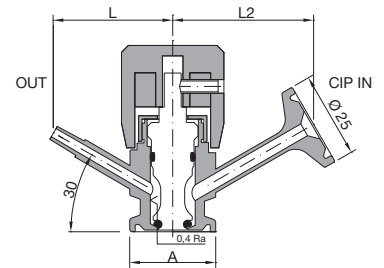
ASTM A270 Tri-Clamp - Flange design according to ASME-BPE
DIN 32676 Tri-Clamp
ISO 1127 Tri-Clamp

Ø A	L1	L2	Valve Material	O-Rings Material	Code
25,00	40,00	51,50	1.4404	FPM/FKM	090H6TC25V
				EPDM	090H6TC25EP
				SILICONE FDA	090H6TC25SIF
				SILICONE USP 121	090H6TC25SI121
34,00	40,00	51,50	1.4404	FPM/FKM	090H6TC34V
				EPDM	090H6TC34EP
				SILICONE FDA	090H6TC34SIF
				SILICONE USP 121	090H6TC34SI121
50,50	46,50	58,00	1.4404	FPM/FKM	090H6TC50V
				EPDM	090H6TC50EP
				SILICONE FDA	090H6TC50SIF
				SILICONE USP 121	090H6TC50SI121

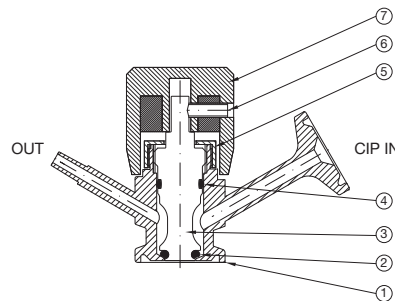
Int. finishing: **Ra ≤ 0,4 µm**
Ext. finishing: **Ra ≤ 0,8 µm Mirror Polished**

Max Working Conditions:
12 bar (170 psi) and 150°C (300°F)

Installation:
Horizontal installation recommended



Spare parts



N°	Name	Material
1	Body	AISI 316L
2	O-Ring 3021	FPM/FKM or EPDM or SILICONE FDA or SILICONE USP 121
3	Piston	AISI 316L
4	O-Ring 2037	FPM/FKM or EPDM or SILICONE FDA or SILICONE USP 121
5	Ring	AISI 316L
6	Grub Screw M4	AISI 304
7	Handle	PTFE + INOX

N°	Description	Valve size	Code
2+4	O-Ring Kit 3021 / 2037 FPM/FKM - n° 10 + 10 pcs	all sizes	ORSV1010V
2+4	O-Ring Kit 3021 / 2037 EPDM - n° 10 + 10 pcs	all sizes	ORSV1010EP
2+4	O-Ring Kit 3021 / 2037 SILICONE FDA - n° 10 + 10 pcs	all sizes	ORSV1010SIF
2+4	O-Ring Kit 3021 / 2037 SILICONE USP 121° - n° 10 + 10 pcs	all sizes	ORSV1010SI121
5	Ring - n° 1 pcs	all sizes	AAAA0090
6	Grub Screw M4 Kit - n° 10 pcs	all sizes	ORSVM4X10
7	Handle PTFE + INOX - n° 1 pcs	all sizes	ORSVHA1



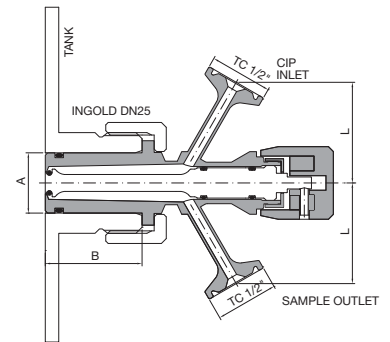
ASTM A270 Tri-Clamp - Flange design according to ASME-BPE

Size	Ø A	B	L	Valve Material	O-Rings Material	Code
DN 25	25,00	40,00	41,00	1.4404	FPM/FKM	091E6IN025V
					EPDM	091E6IN025EP
					SILICONE FDA	091E6IN025SIF
					SILICONE USP 121	091E6IN025SI121

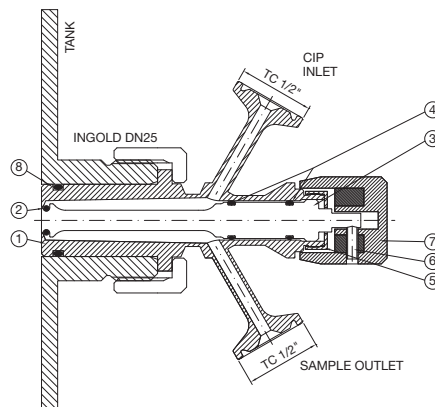
Int. finishing: **Ra ≤ 0,4 µm**
Ext. finishing: **Ra ≤ 0,8 µm Mirror Polished**

Max Working Conditions:
12 bar (170 psi) and 150°C (300°F)

Installation:
Horizontal installation recommended



Spare parts



N°	Name	Material
1	Body	AISI 316L
2	O-Ring 3021	FPM/FKM or EPDM or SILICONE FDA or SILICONE USP 121
3	Piston	AISI 316L
4	O-Ring 2037	FPM/FKM or EPDM or SILICONE FDA or SILICONE USP 121
5	Ring	AISI 316L
6	Grub Screw M4	AISI 304
7	Handle	PTFE + INOX
8	O-Ring 3081	FPM/FKM or EPDM or SILICONE FDA or SILICONE USP 121

N°	Description	Valve size	Code
2+4	O-Ring Kit 3021 / 2037 / 3081 FPM/FKM - n° 10 + 20 + 10 pcs	all sizes	ORSV102010V
2+4	O-Ring Kit 3021 / 2037 / 3081 EPDM - n° 10 + 20 + 10 pcs	all sizes	ORSV102010EP
2+4	O-Ring Kit 3021 / 2037 / 3081 SILICONE FDA - n° 10 + 20 + 10 pcs	all sizes	ORSV102010SIF
2+4	O-Ring Kit 3021 / 2037 / 3081 SILICONE USP 121° - n° 10 + 20 + 10 pcs	all sizes	ORSV102010SI121
5	Ring - n° 1 pcs	all sizes	AAAA0090
6	Grub Screw M4 Kit - n° 10 pcs	all sizes	ORSVM4X10
7	Handle PTFE + INOX - n° 1 pcs	all sizes	ORSVHA1



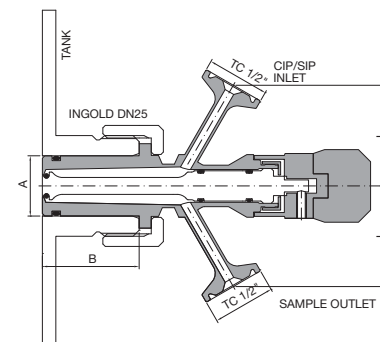
ASTM A270 Tri-Clamp - Flange design according to ASME-BPE

Size	Ø A	B	L	Valve Material	O-Rings Material	Code
DN 25	25,00	40,00	41,00	1.4404	FPM/FKM	091F6IN025V
					EPDM	091F6IN025EP
					SILICONE FDA	091F6IN025SIF
					SILICONE USP 121	091F6IN025SI121

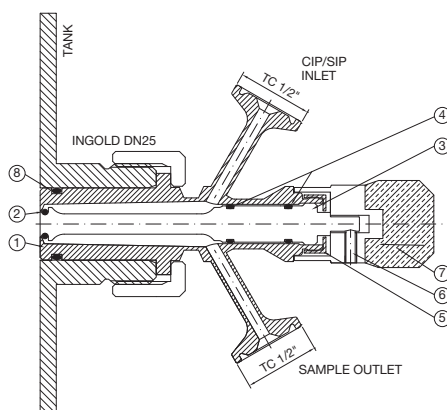
Int. finishing: **Ra ≤ 0,4 µm**
Ext. finishing: **Ra ≤ 0,8 µm Mirror Polished**

Max Working Conditions:
12 bar (170 psi) and 150°C (300°F)

Installation:
Horizontal installation recommended



Spare parts



N°	Name	Material
1	Body	AISI 316L
2	O-Ring 3021	FPM/FKM or EPDM or SILICONE FDA or SILICONE USP 121
3	Piston	AISI 316L
4	O-Ring 2037	FPM/FKM or EPDM or SILICONE FDA or SILICONE USP 121
5	Ring	AISI 316L
6	Grub Screw M4	AISI 304
7	Removable Handle	PTFE + INOX
8	O-Ring 3081	FPM/FKM or EPDM or SILICONE FDA or SILICONE USP 121

N°	Description	Valve size	Code
2+4	O-Ring Kit 3021 / 2037 / 3081 FPM/FKM - n° 10 + 20 + 10 pcs	all sizes	ORSV102010V
2+4	O-Ring Kit 3021 / 2037 / 3081 EPDM - n° 10 + 20 + 10 pcs	all sizes	ORSV102010EP
2+4	O-Ring Kit 3021 / 2037 / 3081 SILICONE FDA - n° 10 + 20 + 10 pcs	all sizes	ORSV102010SIF
2+4	O-Ring Kit 3021 / 2037 / 3081 SILICONE USP 121 - n° 10 + 20 + 10 pcs	all sizes	ORSV102010SI121
5	Ring - n° 1 pcs	all sizes	AAAA0090
6	Grub Screw M4 Kit - n° 10 pcs	all sizes	ORSVM4X10
7	Removable Handle PTFE + INOX - n° 1 pcs	all sizes	091F600007PTF



ART. 023/A

ART. 023/C

ART. 023/A 1 Hose Barb Outlet

ASTM A270 Tri-Clamp - Flange design according to ASME-BPE

Size	Ø B	L	Valve Material	O-Ring Material	Code
1/2"	6,00	38,00	1.4404	FPM/FKM	023A60050V
				EPDM	023A60050EP
				SILICONE FDA	023A60050SIF
3/4"	6,00	38,00	1.4404	FPM/FKM	023A60075V
				EPDM	023A60075EP
				SILICONE FDA	023A60075SIF

Int. finishing: **Ra ≤ 1,2 µm**
Ext. finishing: **Ra ≤ 1,6 µm mirror polished**

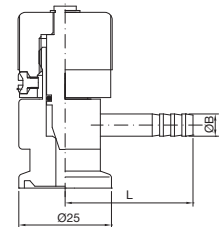
Max Working Conditions:
6 bar (87 psi) and 150°C (300°F)

Installation:
Horizontal installation recommended

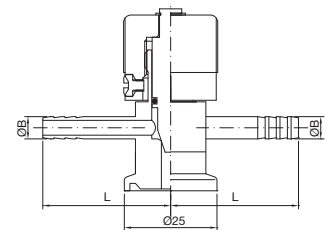
ART. 023/C 1 Hose Barb Outlet + 1 CIP Hose Barb Inlet

ASTM A270 Tri-Clamp - Flange design according to ASME-BPE

Size	Ø B	L	Valve Material	O-Ring Material	Code
1/2"	6,00	38,00	1.4404	FPM/FKM	023C60050V
				EPDM	023C60050EP
				SILICONE FDA	023C60050SIF
3/4"	6,00	38,00	1.4404	FPM/FKM	023C60075V
				EPDM	023C60075EP
				SILICONE FDA	023C60075SIF

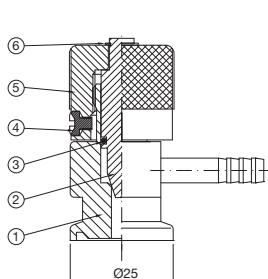


ART. 023/A

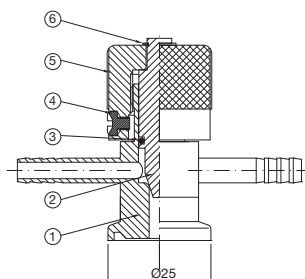


ART. 023/C

Spare parts



ART. 023/A



ART. 023/C

N°	Name	Material
1	Body	AISI 316L
2	Piston	AISI 316L
3	O-Ring 2025	FPM/FKM or EPDM or SILICONE FDA
4	M3 Screw	AISI 304
5	Handle	AISI 316L
6	Seeger	AISI 304

N°	Description	Valve size	Code
2	Piston - n° 1 pcs	all sizes	AAAA0381
3	O-Ring Kit 2025 FPM/FKM - n° 5 pcs	all sizes	ORNSV05V
3	O-Ring Kit 2025 EPDM - n° 5 pcs	all sizes	ORNSV05EP
3	O-Ring Kit 2025 SILICONE FDA - n° 5 pcs	all sizes	ORNSV05SIF
5	Handle - n° 1 pcs	all sizes	AAAA0380
6	Seeger - n° 10 pcs	all sizes	SEEGERSV



Male Gas Threaded

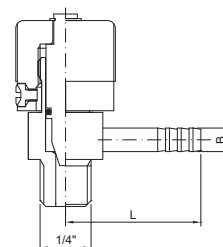
Size	Ø B	L	Valve Material	O-Ring Material	Code
1/4"	6,00	38,00	1.4404	FPM/FKM	022Z60025V
				EPDM	022Z60025EP
				SILICONE FDA	022Z60025SIF

Int. finishing: $Ra \leq 1,2 \mu m$ Ext. finishing: $Ra \leq 1,6 \mu m$ mirror polished

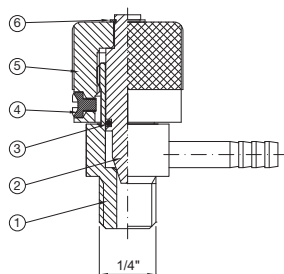
Max Working Conditions:

6 bar (87 psi) and 150°C (300°F)

Installation:

Horizontal installation recommended

Spare parts



N°	Name	Material
1	Body	AISI 316L
2	Piston	AISI 316L
3	O-Ring 2025	FPM/FKM or EPDM or SILICONE FDA
4	M3 Screw	AISI 304
5	Handle	AISI 316L
6	Seeger	AISI 304

N°	Description	Valve size	Code
2	Piston - n° 1 pcs	all sizes	AAAA0381
3	O-Ring Kit 2025 FPM/FKM - n° 5 pcs	all sizes	ORNSV05V
3	O-Ring Kit 2025 EPDM - n° 5 pcs	all sizes	ORNSV05EP
3	O-Ring Kit 2025 SILICONE FDA - n° 5 pcs	all sizes	ORNSV05SIF
5	Handle - n° 1 pcs	all sizes	AAAA0380
6	Seeger - n° 10 pcs	all sizes	SEEGERSV



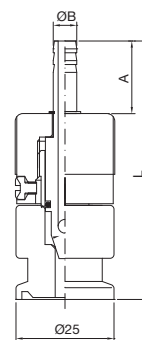
ASTM A270 Tri-Clamp - Flange design according to ASME-BPE

Size	A	Ø B	L	Valve Material	O-Ring Material	Code
1/2"	17,00	6,00	66,00	1.4404	FPM/FKM	041Z60050V
					EPDM	041Z60050EP
					SILICONE FDA	041Z60050SIF
3/4"	17,00	6,00	66,00	1.4404	FPM/FKM	041Z60075V
					EPDM	041Z60075EP
					SILICONE FDA	041Z60075SIF

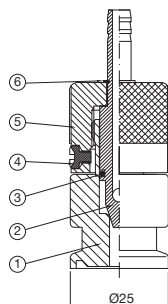
Int. finishing: **Ra ≤ 1,2 µm**
Ext. finishing: **Ra ≤ 1,6 µm mirror polished**

Max Working Conditions:
6 bar (87 psi) and 150°C (300°F)

Installation:
Vertical installation recommended



Spare parts



N°	Name	Material
1	Body	AISI 316L
2	Piston	AISI 316L
3	O-Ring 2025	FPM/FKM or EPDM or SILICONE FDA
4	M3 Screw	AISI 304
5	Handle	AISI 316L
6	Seeger	AISI 304

N°	Description	Valve size	Code
2	Piston - n° 1 pcs	all sizes	AAAA0382
3	O-Ring Kit 2025 FPM/FKM - n° 5 pcs	all sizes	ORNSV05V
3	O-Ring Kit 2025 EPDM - n° 5 pcs	all sizes	ORNSV05EP
3	O-Ring Kit 2025 SILICONE FDA - n° 5 pcs	all sizes	ORNSV05SIF
5	Handle - n° 1 pcs	all sizes	AAAA0380
6	Seeger - n° 10 pcs	all sizes	SEEGERSV



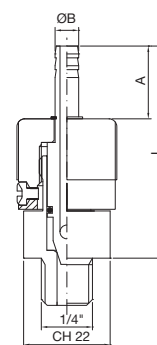
Male Gas Threaded

Size	A	Ø B	L	Valve Material	O-Ring Material	Code
1/4"	17,00	6,00	54,00	1.4404	FPM/FKM	033Z60025V
					EPDM	033Z60025EP
					SILICONE FDA	033Z60025SIF

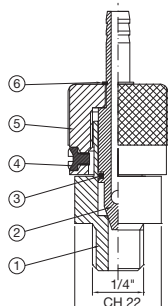
Int. finishing: $Ra \leq 1,2 \mu m$
 Ext. finishing: $Ra \leq 1,6 \mu m$ mirror polished

Max Working Conditions:
6 bar (87 psi) and 150°C (300°F)

Installation:
Vertical installation recommended



Spare parts



N°	Name	Material
1	Body	AISI 316L
2	Piston	AISI 316L
3	O-Ring 2025	FPM/FKM or EPDM or SILICONE FDA
4	M3 Screw	AISI 304
5	Handle	AISI 316L
6	Seeger	AISI 304

N°	Description	Valve size	Code
2	Piston - n° 1 pcs	all sizes	AAAA0382
3	O-Ring Kit 2025 FPM/FKM - n° 5 pcs	all sizes	ORNSV05V
3	O-Ring Kit 2025 EPDM - n° 5 pcs	all sizes	ORNSV05EP
3	O-Ring Kit 2025 SILICONE FDA - n° 5 pcs	all sizes	ORNSV05SIF
5	Handle - n° 1 pcs	all sizes	AAAA0380
6	Seeger - n° 10 pcs	all sizes	SEEGERSV



ART. 344/A

ART. 344/C

ART. 344/A 1 Hose Barb Outlet

Ø A	L	Valve Material	O-Ring Material	Code
3/8"	61,50	1.4404	FPM/FKM	344A6BSPP37V
			EPDM	344A6BSPP37EP
			SILICONE FDA	344A6BSPP37SIF
			SILICONE USP 121	344A6BSPP37SI121

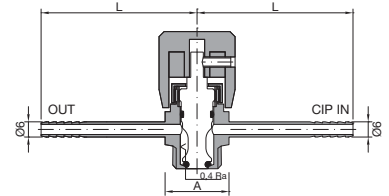
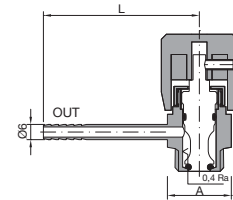
Int. finishing: $Ra \leq 0,4 \mu m$
Ext. finishing: $Ra \leq 0,8 \mu m$ mirror polished

Max Working Conditions:
12 bar (170 psi) and 150°C (300°F)

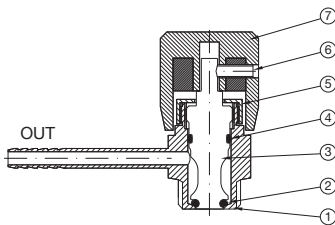
Installation:
Horizontal installation recommended

ART. 344/C 1 Hose Barb Outlet + 1 CIP Hose Barb Inlet

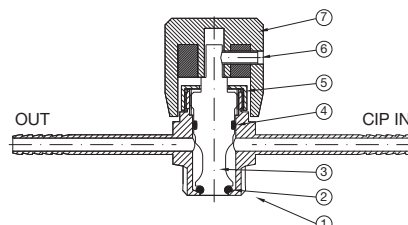
Ø A	L	Valve Material	O-Ring Material	Code
3/8"	61,50	1.4404	FPM/FKM	344C6BSPP37V
			EPDM	344C6BSPP37EP
			SILICONE FDA	344C6BSPP37SIF
			SILICONE USP 121	344C6BSPP37SI121



Spare parts



ART. 344/A



ART. 344/C

N°	Name	Material
1	Body	AISI 316L
2	O-Ring 3021	FPM/FKM or EPDM or SILICONE FDA or SILICONE USP 121
3	Piston	AISI 316L
4	O-Ring 2037	FPM/FKM or EPDM or SILICONE FDA or SILICONE USP 121
5	Ring	AISI 316L
6	Grub Screw M4	AISI 304
7	Handle	PTFE + INOX

N°	Description	Valve size	Code
2+4	O-Ring Kit 3021 / 2037 FPM/FKM - n° 10 + 10 pcs	all sizes	ORSV1010V
2+4	O-Ring Kit 3021 / 2037 EPDM - n° 10 + 10 pcs	all sizes	ORSV1010EP
2+4	O-Ring Kit 3021 / 2037 SILICONE FDA - n° 10 + 10 pcs	all sizes	ORSV1010SIF
2+4	O-Ring Kit 3021 / 2037 SILICONE USP 121° - n° 10 + 10 pcs	all sizes	ORSV1010SI121
5	Ring - n° 1 pcs	all sizes	AAAA0090
6	Grub Screw M4 Kit - n° 10 pcs	all sizes	ORSVM4X10
7	Handle PTFE + INOX - n° 1 pcs	all sizes	ORSVHA1



ART. 390/A

ART. 390/C

ART. 390/A 1 Hose Barb Outlet

Ø A	L	Valve Material	O-Ring Material	Code
3/8"	61,50	1.4404	FPM/FKM	390A6BSPP37V
			EPDM	390A6BSPP37EP
			SILICONE FDA	390A6BSPP37SIF
			SILICONE USP 121	390A6BSPP37SI121

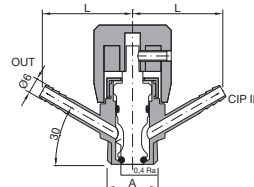
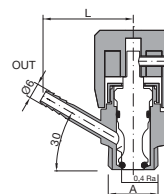
Int. finishing: **Ra ≤ 0,4 µm**
Ext. finishing: **Ra ≤ 0,8 µm mirror polished**

Max Working Conditions:
12 bar (170 psi) and 150°C (300°F)

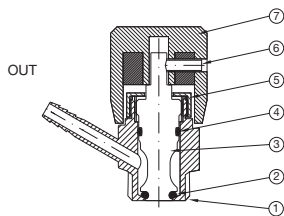
Installation:
Horizontal installation recommended

ART. 390/C 1 Hose Barb Outlet + 1 CIP Hose Barb Inlet

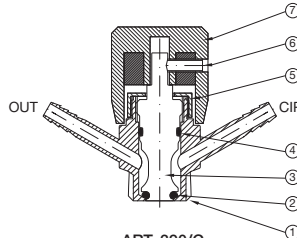
Ø A	L	Valve Material	O-Ring Material	Code
3/8"	61,50	1.4404	FPM/FKM	390C6BSPP37V
			EPDM	390C6BSPP37EP
			SILICONE FDA	390C6BSPP37SIF
			SILICONE USP 121	390C6BSPP37SI121



Spare parts



ART. 390/A

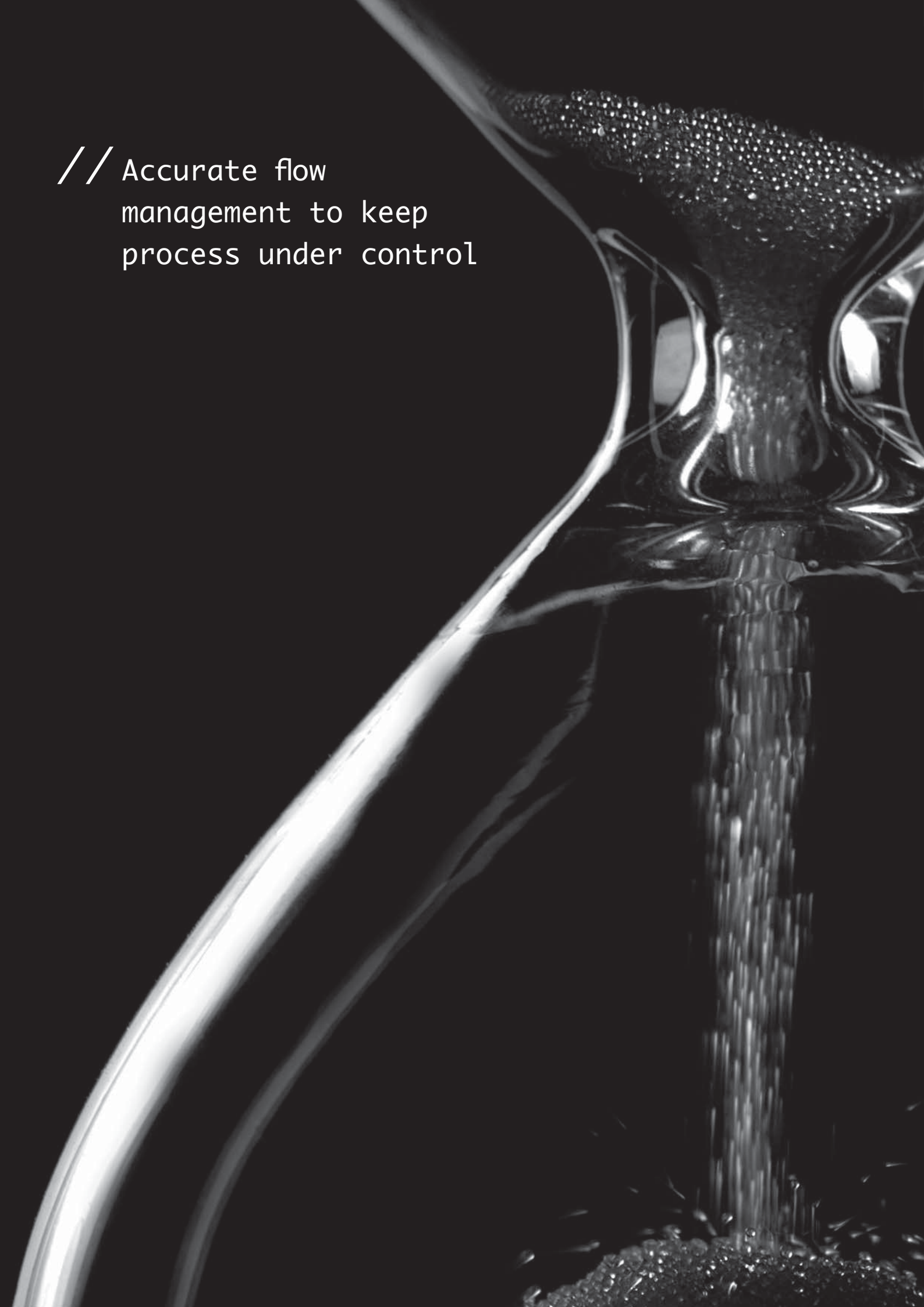


ART. 390/C

N°	Name	Material
1	Body	AISI 316L
2	O-Ring 3021	FPM/FKM or EPDM or SILICONE FDA or SILICONE USP 121
3	Piston	AISI 316L
4	O-Ring 2037	FPM/FKM or EPDM or SILICONE FDA or SILICONE USP 121
5	Ring	AISI 316L
6	Grub Screw M4	AISI 304
7	Handle	PTFE + INOX

N°	Description	Valve size	Code
2+4	O-Ring Kit 3021 / 2037 FPM/FKM - n° 10 + 10 pcs	all sizes	ORSV1010V
2+4	O-Ring Kit 3021 / 2037 EPDM - n° 10 + 10 pcs	all sizes	ORSV1010EP
2+4	O-Ring Kit 3021 / 2037 SILICONE FDA - n° 10 + 10 pcs	all sizes	ORSV1010SIF
2+4	O-Ring Kit 3021 / 2037 SILICONE USP 121° - n° 10 + 10 pcs	all sizes	ORSV1010SI121
5	Ring - n° 1 pcs	all sizes	AAAA0090
6	Grub Screw M4 Kit - n° 10 pcs	all sizes	ORSVM4X10
7	Handle PTFE + INOX - n° 1 pcs	all sizes	ORSVHA1

// Accurate flow
management to keep
process under control



NEEDLE VALVES



ART. 049/Z
Needle Valves
Tri-Clamp

P. 060



ART. 049/W
Needle Valves
Butt Weld

P. 062



ART. 053
Needle Valves
Gas Threaded

P. 066



ART. 054
Gauge Holder
Gas Threaded

P. 067

Characteristics. Valve body machined from solid compound. Double metal closure, no gaskets between the body and the rod valve guide.

Documentation. Laser marking for traceability and validation processes. Material 3.1 certificates, FDA or USP, internal surface finishing check.



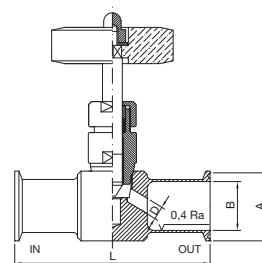
ASTM A270 Tri-Clamp

Size	Ø A	Ø B	Ø D	Ø L	Valve Material	Gasket Material	Code
1/4"	25,00	4,57	4,00	101,60	1.4404	PTFE - FDA	049Z60025PT70
						PTFE - USP 121	049Z60025PT121
3/8"	25,00	7,75	5,50	101,60	1.4404	PTFE - FDA	049Z60037PT70
						PTFE - USP 121	049Z60037PT121
1/2"	25,00	9,40	5,50	101,60	1.4404	PTFE - FDA	049Z60050PT70
						PTFE - USP 121	049Z60050PT121
3/4"	25,00	15,75	7,00	101,60	1.4404	PTFE - FDA	049Z60075PT70
						PTFE - USP 121	049Z60075PT121
1"	50,50	22,10	9,00	114,30	1.4404	PTFE - FDA	049Z60100PT70
						PTFE - USP 121	049Z60100PT121
1.1/2"	50,50	34,80	11,50	139,70	1.4404	PTFE - FDA	049Z60150PT70
						PTFE - USP 121	049Z60150PT121
2"	64,00	47,50	17,00	158,80	1.4404	PTFE - FDA	049Z60200PT70
						PTFE - USP 121	049Z60200PT121
2.1/2"	77,50	60,20	27,50	212,00	1.4404	PTFE - FDA	049Z60250PT70
						PTFE - USP 121	049Z60250PT121

Int. finishing: **Ra ≤ 0,4 µm**
Ext. finishing: **Ra ≤ 0,8 µm Mirror Polished**

Max Working Conditions:
10 bar (120 psi) and 150°C (300°F)

Gaskets:
FDA approved PTFE
or USP CLASS VI - 121° PTFE



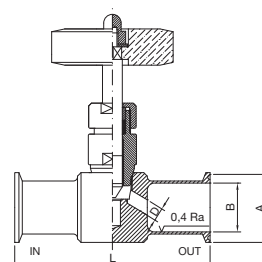
DIN 32676 Tri-Clamp

Size	Ø A	Ø B	Ø D	Ø L	Valve Material	Gasket Material	Code
DN10	34,00	10,00	5,50	101,60	1.4404	PTFE - FDA	049Z6D010PT70
						PTFE - USP 121	049Z6D010PT121
DN15	34,00	16,00	7,00	87,00	1.4404	PTFE - FDA	049Z6D015PT70
						PTFE - USP 121	049Z6D015PT121
DN20	34,00	20,00	7,00	87,00	1.4404	PTFE - FDA	049Z6D020PT70
						PTFE - USP 121	049Z6D020PT121
DN25	50,50	26,00	9,00	114,30	1.4404	PTFE - FDA	049Z6D025PT70
						PTFE - USP 121	049Z6D025PT121
DN32	50,50	32,00	11,50	139,70	1.4404	PTFE - FDA	049Z6D032PT70
						PTFE - USP 121	049Z6D032PT121
DN40	50,50	38,00	11,50	139,70	1.4404	PTFE - FDA	049Z6D040PT70
						PTFE - USP 121	049Z6D040PT121

Int. finishing: **Ra ≤ 0,4 µm**
Ext. finishing: **Ra ≤ 0,8 µm Mirror Polished**

Max Working Conditions:
10 bar (120 psi) and 150°C (300°F)

Gaskets:
FDA approved PTFE
or USP CLASS VI - 121° PTFE



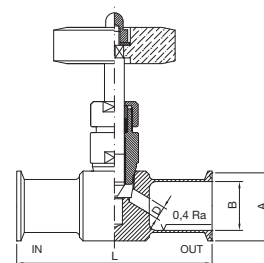


ISO 1127 Tri-Clamp

Size	Ø A	Ø B	Ø D	Ø L	Valve Material	Gasket Material	Code
DN8	34,00	10,30	5,50	101,60	1.4404	PTFE - FDA	049Z61008PT70
						PTFE - USP 121	049Z61008PT121
DN10	34,00	14,00	5,50	101,60	1.4404	PTFE - FDA	049Z61010PT70
						PTFE - USP 121	049Z61010PT121
DN15	34,00	18,10	7,00	87,00	1.4404	PTFE - FDA	049Z61015PT70
						PTFE - USP 121	049Z61015PT121
DN20	50,50	23,70	9,00	114,30	1.4404	PTFE - FDA	049Z61020PT70
						PTFE - USP 121	049Z61020PT121
DN25	50,50	29,70	9,00	114,30	1.4404	PTFE - FDA	049Z61025PT70
						PTFE - USP 121	049Z61025PT121
DN32	50,50	38,40	11,50	139,70	1.4404	PTFE - FDA	049Z61032PT70
						PTFE - USP 121	049Z61032PT121
DN40	50,50	44,30	11,50	139,70	1.4404	PTFE - FDA	049Z61040PT70
						PTFE - USP 121	049Z61040PT121

Int. finishing: $Ra \leq 0,4 \mu m$ Ext. finishing: $Ra \leq 0,8 \mu m$ Mirror Polished
 Max Working Conditions:
10 bar (120 psi) and 150°C (300°F)

Gaskets:

FDA approved PTFE
or USP CLASS VI - 121° PTFE




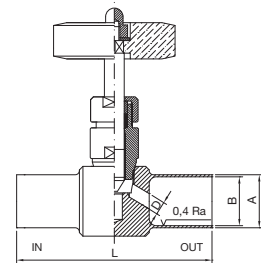
ASTM A270 Butt Weld

Size	Ø A	Ø B	Ø D	Ø L	Valve Material	Gasket Material	Code
1/4"	6,35	4,57	4,00	101,60	1.4404	PTFE - FDA	049W60025PT70
						PTFE - USP 121	049W60025PT121
3/8"	9,53	7,75	5,50	101,60	1.4404	PTFE - FDA	049W60037PT70
						PTFE - USP 121	049W60037PT121
1/2"	12,7	9,40	5,50	101,60	1.4404	PTFE - FDA	049W60050PT70
						PTFE - USP 121	049W60050PT121
3/4"	19,05	15,75	7,00	101,60	1.4404	PTFE - FDA	049W60075PT70
						PTFE - USP 121	049W60075PT121
1"	25,40	22,10	9,00	114,30	1.4404	PTFE - FDA	049W60100PT70
						PTFE - USP 121	049W60100PT121
1.1/2"	38,10	34,80	11,50	139,70	1.4404	PTFE - FDA	049W60150PT70
						PTFE - USP 121	049W60150PT121
2"	50,80	47,50	17,00	158,80	1.4404	PTFE - FDA	049W60200PT70
						PTFE - USP 121	049W60200PT121
2.1/2"	63,50	60,20	27,50	212,00	1.4404	PTFE - FDA	049W60250PT70
						PTFE - USP 121	049W60250PT121

Int. finishing: **Ra ≤ 0,4 µm**
Ext. finishing: **Ra ≤ 0,8 µm Mirror Polished**

Max Working Conditions:
10 bar (120 psi) and 150°C (300°F)

Gaskets:
FDA approved PTFE
or USP CLASS VI - 121° PTFE



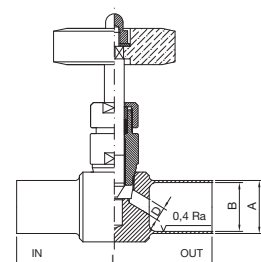
DIN 32676 Butt Weld

Size	Ø A	Ø B	Ø D	Ø L	Valve Material	Gasket Material	Code
DN10	13,00	10,00	5,50	101,60	1.4404	PTFE - FDA	049W6D010PT70
						PTFE - USP 121	049W6D010PT121
DN15	19,00	16,00	7,00	87,00	1.4404	PTFE - FDA	049W6D015PT70
						PTFE - USP 121	049W6D015PT121
DN20	23,00	20,00	7,00	87,00	1.4404	PTFE - FDA	049W6D020PT70
						PTFE - USP 121	049W6D020PT121
DN25	29,00	26,00	9,00	114,30	1.4404	PTFE - FDA	049W6D025PT70
						PTFE - USP 121	049W6D025PT121
DN32	35,00	32,00	11,50	139,70	1.4404	PTFE - FDA	049W6D032PT70
						PTFE - USP 121	049W6D032PT121
DN40	41,00	38,00	11,50	139,70	1.4404	PTFE - FDA	049W6D040PT70
						PTFE - USP 121	049W6D040PT121

Int. finishing: **Ra ≤ 0,4 µm**
Ext. finishing: **Ra ≤ 0,8 µm Mirror Polished**

Max Working Conditions:
10 bar (120 psi) and 150°C (300°F)

Gaskets:
FDA approved PTFE
or USP CLASS VI - 121° PTFE





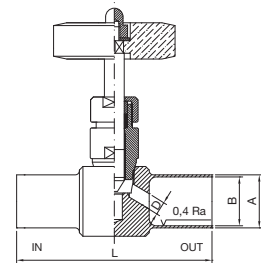
ISO 1127 Butt Weld

Size	Ø A	Ø B	Ø D	Ø L	Valve Material	Gasket Material	Code
DN8	13,50	10,30	5,50	101,60	1.4404	PTFE - FDA	049W6I008 PT70
						PTFE - USP 121	049W6I008 PT121
DN10	17,20	14,00	5,50	101,60	1.4404	PTFE - FDA	049W6I010 PT70
						PTFE - USP 121	049W6I010 PT121
DN15	21,30	18,10	7,00	87,00	1.4404	PTFE - FDA	049W6I015 PT70
						PTFE - USP 121	049W6I015 PT121
DN20	26,90	23,70	9,00	114,30	1.4404	PTFE - FDA	049W6I020 PT70
						PTFE - USP 121	049W6I020 PT121
DN25	33,70	29,70	9,00	114,30	1.4404	PTFE - FDA	049W6I025 PT70
						PTFE - USP 121	049W6I025 PT121
DN32	42,40	38,40	11,50	139,70	1.4404	PTFE - FDA	049W6I032 PT70
						PTFE - USP 121	049W6I032 PT121
DN40	48,30	44,30	11,50	139,70	1.4404	PTFE - FDA	049W6I040 PT70
						PTFE - USP 121	049W6I040 PT121

Int. finishing: **Ra ≤ 0,4 µm**
Ext. finishing: **Ra ≤ 0,8 µm Mirror Polished**

Max Working Conditions:
10 bar (120 psi) and 150°C (300°F)

Gaskets:
FDA approved PTFE
or USP CLASS VI - 121° PTFE



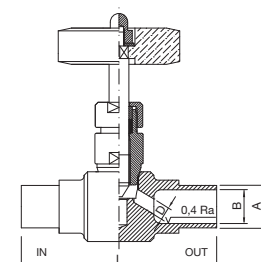
Metric Pipe SP 1.0 mm Butt Weld

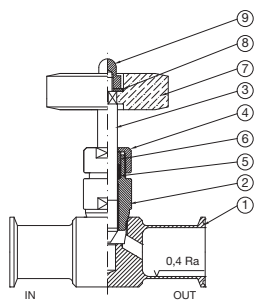
Size	Ø A	Ø B	Ø D	Ø L	Valve Material	Gasket Material	Code
DN4	6,00	4,00	4,00	101,60	1.4404	PTFE - FDA	049W6DN04 PT70
						PTFE - USP 121	049W6DN04 PT121
DN6	8,00	6,00	4,00	101,60	1.4404	PTFE - FDA	049W6DN06 PT70
						PTFE - USP 121	049W6DN06 PT121
DN8	10,00	8,00	4,00	101,60	1.4404	PTFE - FDA	049W6DN08 PT70
						PTFE - USP 121	049W6DN08 PT121
DN10	12,00	10,00	5,50	101,60	1.4404	PTFE - FDA	049W6DN10 PT70
						PTFE - USP 121	049W6DN10 PT121
DN12	14,00	12,00	5,50	101,60	1.4404	PTFE - FDA	049W6DN12 PT70
						PTFE - USP 121	049W6DN12 PT121

Int. finishing: **Ra ≤ 0,4 µm**
Ext. finishing: **Ra ≤ 0,8 µm Mirror Polished**

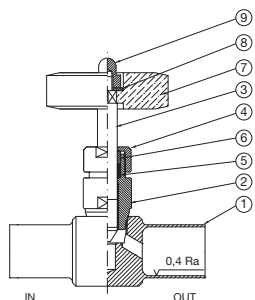
Max Working Conditions:
10 bar (120 psi) and 150°C (300°F)

Gaskets:
FDA approved PTFE
or USP CLASS VI - 121° PTFE

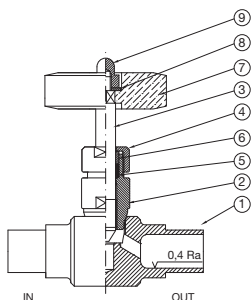




Tri-Clamp



Butt Weld



Metric Pipe SP 1.0 mm
Butt Weld

N°	Name	Material
1	Body	AISI 316L
2	Rod Valve Guide	AISI 316L
3	Rod Working Valve	AISI 316L
4	Cap	AISI 316L
5	Gasket	PTFE *
6	Ring	AISI 316L
7	Handle	Bakelite
8	Washer	AISI 304
9	Nut	AISI 304

* FDA approved as standard

N°	Description	ASTM A270 TC	ASTM A270 BW	DIN 32676 TC	DIN 32676 BW	ISO 1127 TC	ISO 1127 BW	Metric BW	Code
4	Cap n° 1 pcs							DN4	0496005004
								DN6	0496005004
								DN8	0496005004
						DN8	DN8	DN10	0496007504
				DN10	DN10	DN10	DN10	DN12	0496007504
		1/4"	1/4"						0496005004
		3/8"	3/8"						0496007504
		1/2"	1/2"						0496007504
		3/4"	3/4"	DN15	DN15	DN15	DN15		0496007504
		1"	1"	DN20	DN20	DN20	DN20		0496010004
5	PTFE - FDA Gasket n° 1 pcs							DN4	053X002505PT70
								DN6	053X002505PT70
								DN8	053X002505PT70
						DN8	DN8	DN10	053X003705PT70
				DN10	DN10	DN10	DN10	DN12	053X003705PT70
		1/4"	1/4"						053X002505PT70
		3/8"	3/8"						053X003705PT70
		1/2"	1/2"						053X003705PT70
		3/4"	3/4"	DN15	DN15	DN15	DN15		053X005005PT70
		1"	1"	DN20	DN20	DN20	DN20		053X007505PT70
5	PTFE - USP 121° Gasket n° 1 pcs							DN4	049X002505PT121
								DN6	049X002505PT121
								DN8	049X002505PT121
						DN8	DN8	DN10	049X003705PT121
				DN10	DN10	DN10	DN10	DN12	049X003705PT121
		1/4"	1/4"						049X002505PT121
		3/8"	3/8"						049X003705PT121
		1/2"	1/2"						049X005005PT121
		3/4"	3/4"	DN15	DN15	DN15	DN15		049X007505PT121
		1"	1"	DN20	DN20	DN20	DN20		049X010005PT121
1.1/2"	1.1/2"	DN25	DN25	DN25	DN25		049X015005PT121		
2"	2"	DN32	DN32	DN32	DN32		049X015005PT121		
2.1/2"	2.1/2"	DN40	DN40	DN40	DN40		049X025005PT121		

N°	Description	ASTM A270 TC	ASTM A270 BW	DIN 32676 TC	DIN 32676 BW	ISO 1127 TC	ISO 1127 BW	Metric BW	Code
6	Ring n° 1 pcs							DN4	0536002506
								DN6	0536002506
								DN8	0536002506
						DN8	DN8	DN10	0536003706
				DN10	DN10	DN10	DN10	DN12	0536003706
		1/4"	1/4"						0536002506
		3/8"	3/8"						0536003706
		1/2"	1/2"						0536003706
		3/4"	3/4"	DN15	DN15	DN15	DN15		0536005006
		1"	1"	DN20	DN20	DN20	DN20		0536007506
		1.1/2"	1.1/2"	DN25	DN25	DN25	DN25		0536010006
		2"	2"	DN32	DN32	DN32	DN32		0536010006
2.1/2"	2.1/2"	DN40	DN40	DN40	DN40		0536020006		
7	Handle n° 1 pcs							DN4	VZ.42-5X5
								DN6	VZ.42-5X5
								DN8	VZ.42-5X5
						DN8	DN8	DN10	VCR.192_50-6X6
				DN10	DN10	DN10	DN10	DN12	VCR.192_50-6X6
		1/4"	1/4"						VZ.42-5X5
		3/8"	3/8"						VCR.192_50-6X6
		1/2"	1/2"						VCR.192_50-6X6
		3/4"	3/4"	DN15	DN15	DN15	DN15		VCR.192_50-6X6
		1"	1"	DN20 - DN25	DN20 - DN25	DN20 - DN25	DN20 - DN25		VCR.192_60-8X8
		1.1/2"	1.1/2"						VCR.192_70-8X8
		2"	2"	DN32	DN32	DN32	DN32		VCR.192_70-8X8
2.1/2"	2.1/2"	DN40	DN40	DN40	DN40		VCR.192_100-10X10		
8	Washer n° 1 pcs							DN4	WA205.30-12.00-01.00
								DN6	WA205.30-12.00-01.00
								DN8	WA205.30-12.00-01.00
						DN8	DN8	DN10	WA206.50-11.70-01.50
				DN10	DN10	DN10	DN10	DN12	WA206.50-11.70-01.50
		1/4"	1/4"						WA205.30-12.00-01.00
		3/8"	3/8"						WA206.50-11.70-01.50
		1/2"	1/2"						WA206.50-11.70-01.50
		3/4"	3/4"	DN15	DN15	DN15	DN15		WA206.50-11.70-01.50
		1"	1"	DN20	DN20	DN20	DN20		WA208.50-15.70-01.50
		1.1/2"	1.1/2"	DN25	DN25	DN25	DN25		WA208.50-15.70-01.50
		2"	2"	DN32	DN32	DN32	DN32		WA208.50-15.70-01.50
2.1/2"	2.1/2"	DN40	DN40	DN40	DN40		WA208.50-15.70-01.50		
9	Nut n° 1 pcs							DN4	BN-A2-M05
								DN6	BN-A2-M05
								DN8	BN-A2-M05
						DN8	DN8	DN10	BN-A2-M06
				DN10	DN10	DN10	DN10	DN12	BN-A2-M06
		1/4"	1/4"						BN-A2-M05
		3/8"	3/8"						BN-A2-M06
		1/2"	1/2"						BN-A2-M06
		3/4"	3/4"	DN15	DN15	DN15	DN15		BN-A2-M06
		1"	1"	DN20	DN20	DN20	DN20		BN-A2-M08
		1.1/2"	1.1/2"	DN25	DN25	DN25	DN25		BN-A2-M08
		2"	2"	DN32	DN32	DN32	DN32		BN-A2-M08
2.1/2"	2.1/2"	DN40	DN40	DN40	DN40		BN-A2-M08		



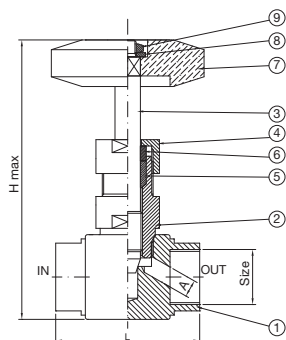
Female Gas Threaded BSPP

Size	Ø A	H	L	Valve Material	Gasket Material	Code
1/4"	4,00	78,00	45,00	1.4404	PTFE - FDA	053Z60025PT70
3/8"	5,50	92,00	52,00	1.4404	PTFE - FDA	053Z60037PT70
1/2"	7,00	106,00	61,00	1.4404	PTFE - FDA	053Z60050PT70
3/4"	9,00	119,00	68,00	1.4404	PTFE - FDA	053Z60075PT70
1"	11,50	135,00	86,00	1.4404	PTFE - FDA	053Z60100PT70
1.1/2"	17,00	150,00	120,00	1.4404	PTFE - FDA	053Z60150PT70
2"	27,50	224,00	224,00	1.4404	PTFE - FDA	053Z60200PT70

Int. finishing: **Ra ≤ 1,6 µm**
Ext. finishing: **Ra ≤ 1,6 µm**

Max Working Conditions:
60 bar and (870 psi) and 150°C (300°F)

Spare Parts



N°	Name	Material
1	Body	AISI 316L
2	Rod Valve Guide	AISI 316L
3	Rod Working Valve	AISI 316L
4	Cap	AISI 316L
5	Gasket	PTFE
6	Ring	AISI 316L
7	Handle	Bakelite
8	Washer	AISI 304
9	Nut	AISI 304

N°	Description	Valve size	Code
4	Cap n° 1 pcs	1/4"	0536002504
		3/8"	0536003704
		1/2"	0536005004
		3/4"	0536007504
		1"	0536010004
		1.1/2"	0536010004
		2"	0536020004
5	PTFE - FDA Gasket n° 1 pcs	1/4"	053X002505PT70
		3/8"	053X003705PT70
		1/2"	053X005005PT70
		3/4"	053X007505PT70
		1"	053X010005PT70
		1.1/2"	053X010005PT70
		2"	053X020005PT70
6	Ring n° 1 pcs	1/4"	0536002506
		3/8"	0536003706
		1/2"	0536005006
		3/4"	0536007506
		1"	0536010006
		1.1/2"	0536010006
		2"	0536020006

N°	Description	Valve size	Code
7	Handle n° 1 pcs	1/4"	VZ.42-5X5
		3/8"	VCR.192_50-6X6
		1/2"	VCR.192_50-6X6
		3/4"	VCR.192_60-8X8
		1"	VCR.192_70-8X8
		1.1/2"	VCR.192_70-8X8
		2"	VCR.192_100-10X10
8	Washer n° 1 pcs	1/4"	-
		3/8"	-
		1/2"	-
		3/4"	WA208.50-15.70-01.50
		1"	WA208.50-15.70-01.50
		1.1/2"	WA208.50-15.70-01.50
		2"	WA208.50-15.70-01.50
9	Nut n° 1 pcs	1/4"	N-A2-M05-H040
		3/8"	N-A2-M06-H050
		1/2"	N-A2-M06-H050
		3/4"	N-A2-M08-H065
		1"	N-A2-M08-H065
		1.1/2"	N-A2-M08-H065
		2"	N-A2-M08-H065



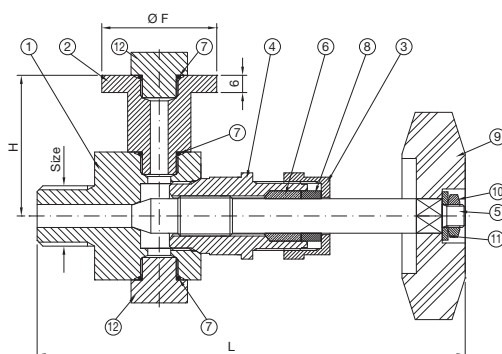
Male Gas Threaded BSPP

Size	L	H	Ø F	Valve Material	Gasket Material	Code
3/8"	144,00	48,00	40,00	1.4404	PTFE - FDA + FPM/FKM	054Z60037PT70
1/2"	144,00	48,00	40,00	1.4404	PTFE - FDA + FPM/FKM	054Z60050PT70

Int. finishing: $Ra \leq 1,6 \mu m$
 Ext. finishing: $Ra \leq 1,6 \mu m$

Max Working Conditions:
10 bar (120 psi) and 150°C (300°F)

Spare Parts



N°	Name	Material
1	Body	AISI 316L
2	Flange	AISI 316L
3	Cap	AISI 316L
4	Rod Valve Guide	AISI 316L
5	Rod Working Valve	AISI 316L
6	Piston Gasket	PTFE
7	O-Ring 3043	FPM/FKM
8	Stainless-steel Ring	AISI 316L
9	Handle	BAKELITE
10	M6 Nut	AISI 304
11	M6 Washer	AISI 304
12	1/4" Hexagonal Cap	AISI 316L

N°	Description	Valve size	Code
2	Flange - n° 1 pcs	all sizes	0546000002
3	Cap - n° 1 pcs	all sizes	0536005004
6	Piston Gasket - PTFE - FDA - n° 1 pcs	all sizes	053X005005PT70
7	O-Ring 3043 FPM/FKM - n° 5 pcs	all sizes	0546X000007V
8	Ring - n° 1 pcs	all sizes	0536005006
9	Handle - n° 1 pcs	all sizes	VCR.192_50-6X6
10	Nut - n° 1 pcs	all sizes	N-A2-M06
11	Washer - n° 1 pcs	all sizes	WA206.50-11.70-01.50
12	Hexagonal Nut - n° 1 pcs	all sizes	0546000012

// The safety
lock against backflow,
without O-Ring,
for Aseptic applications



CHECK VALVES



ART. 048
Check Valves

P. 070



ART. 001
Check Valves
Gas Threaded

P. 072



ART. 002
Adjustable Check Valves
Gas Threaded

P. 074

Characteristics. Art. 048: Designed for Aseptic and High Purity Applications. Internal design free from entrapment areas and without asymptotic seals, no screws or threadings or O-Rings inside the valve. PTFE piston full machined from solid and extra-soft AISI 316L spring. **Art. 001:** Valve body machined from solid, no middle connections. The closure area is between the 2 support points of the piston. **Art. 002:** Valve body machined from solid. Adjustable minimum opening pressure by external screw regulation.

Documentation. Laser marking for traceability and validation processes. Material 3.1 certificates, FDA or USP. Internal surface finishing check as standard (only for Art.048).



ASTM A270 Tri-Clamp - Flange design according to ASME-BPE

Size	Ø A	Ø B	L	Body Material	Gasket Material	Code
1/2"	25,00	9,40	70,00	1.4404	PTFE - USP 70	048Z60050PT70
					PTFE - USP 121	048Z60050PT121
				1.4435-BN2	PTFE - USP 70	048Z50050PT70
					PTFE - USP 121	048Z50050PT121
3/4"	25,00	15,75	70,00	1.4404	PTFE - USP 70	048Z60075PT70
					PTFE - USP 121	048Z60075PT121
				1.4435-BN2	PTFE - USP 70	048Z50075PT70
					PTFE - USP 121	048Z50075PT121
1"	50,50	22,10	85,00	1.4404	PTFE - USP 70	048Z60100PT70
					PTFE - USP 121	048Z60100PT121
				1.4435-BN2	PTFE - USP 70	048Z50100PT70
					PTFE - USP 121	048Z50100PT121
1.1/2"	50,50	34,80	90,00	1.4404	PTFE - USP 70	048Z60150PT70
					PTFE - USP 121	048Z60150PT121
				1.4435-BN2	PTFE - USP 70	048Z50150PT70
					PTFE - USP 121	048Z50150PT121
2"	64,00	47,50	125,00	1.4404	PTFE - USP 70	048Z60200PT70
					PTFE - USP 121	048Z60200PT121
				1.4435-BN2	PTFE - USP 70	048Z50200PT70
					PTFE - USP 121	048Z50200PT121
2.1/2"	77,40	60,20	125,00	1.4404	PTFE - USP 70	048Z60250PT70
					PTFE - USP 121	048Z60250PT121
				1.4435-BN2	PTFE - USP 70	048Z50250PT70
					PTFE - USP 121	048Z50250PT121

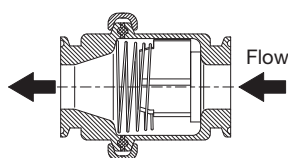
Int. finishing: $Ra \leq 0,4 \mu m$
Ext. finishing: $Ra \leq 0,8 \mu m$ Mirror Polished

Max Working Conditions:
10 bar (120 psi) and 150°C (300°F)

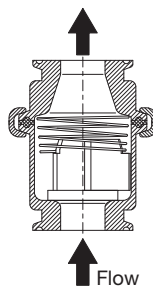
Gaskets:
USP CLASS VI - 70° PTFE
or **USP CLASS VI - 121° PTFE**

Minimum opening pressure - Indicative data only

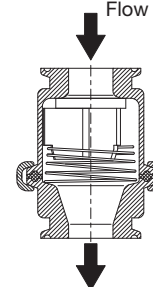
Horizontal assembly



Vertical assembly - Rising flow



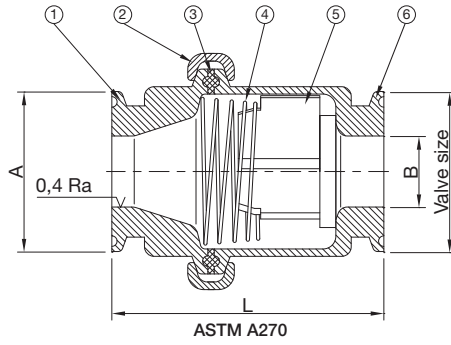
Vertical assembly - Down flow



Size	BAR	PSI	KPA
1/2"	0,025	0,36	2,5
3/4"	0,020	0,29	2
1"	0,010	0,15	1
1.1/2"	0,010	0,15	1
2"	0,010	0,15	1
2.1/2"	0,010	0,15	1

Size	BAR	PSI	KPA
1/2"	0,030	0,44	3
3/4"	0,025	0,36	2,5
1"	0,025	0,36	2,5
1.1/2"	0,025	0,36	2,5
2"	0,025	0,36	2,5
2.1/2"	0,030	0,44	3

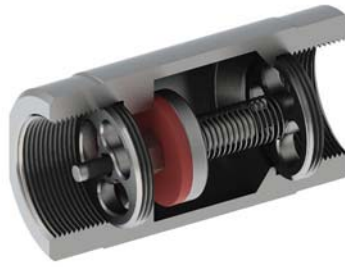
Size	BAR	PSI	KPA
1/2"	0,010	0,15	1
3/4"	0,010	0,15	1
1"	0,010	0,15	1
1.1/2"	0,010	0,15	1
2"	0,015	0,22	1,5
2.1/2"	0,015	0,22	1,5



N°	Name	Material
1	Short Body	AISI 316L
2	Clamp	AISI 304
3	Clamp Gasket	PTFE*
4	Spring	AISI 316L or AISI 316
5	Piston	PTFE*
6	Long Body	AISI 316L

Flange accordig to Asme BPE
* FDA approved as standard

N°	Description	Valve size	Code
2	Clamp n° 1 pcs	1/2"	034Z40100
		3/4"	034Z40100
		1"	034Z40200
		1.1/2"	034Z40200
		2"	034Z40300
		2.1/2"	034Z40300
3	Tri-Clamp Gasket PTFE - USP 70° n° 1 pcs	1/2"	036Z0150PT70
		3/4"	036Z0150PT70
		1"	036Z0200PT70
		1.1/2"	036Z0200PT70
		2"	036Z0300PT70
		2.1/2"	036Z0300PT70
3	Tri-Clamp Gasket PTFE - USP 121° n° 1 pcs	1/2"	036Z0150PT121
		3/4"	036Z0150PT121
		1"	036Z0200PT121
		1.1/2"	036Z0200PT121
		2"	036Z0300PT121
		2.1/2"	036Z0300PT121
4	Spring n° 1 pcs	1/2"	0486005004
		3/4"	0486005004
		1"	0486010004
		1.1/2"	0486010004
		2"	0486020004
		2.1/2"	0486020004
5	Piston PTFE - USP 70° n° 1 pcs	1/2"	048X005005PT70
		3/4"	048X005005PT70
		1"	048X010005PT70
		1.1/2"	048X010005PT70
		2"	048X020005PT70
		2.1/2"	048X020005PT70
5	Piston PTFE - USP 121° n° 1 pcs	1/2"	048X005005PT121
		3/4"	048X005005PT121
		1"	048X010005PT121
		1.1/2"	048X010005PT121
		2"	048X020005PT121
		2.1/2"	048X020005PT121



Female Gas Threaded BSPP

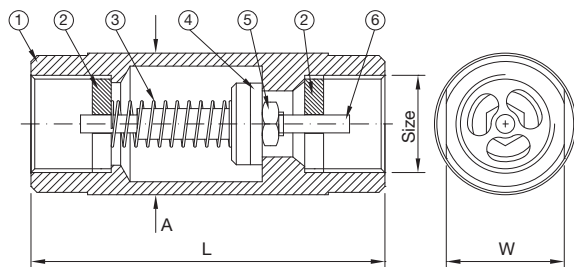
Size	Ø A	Ø B	L	Valve Material	Gasket Material	Code
1/4"	22,00	60,00	17,00	1.4404	FPM/FKM	001Z60025V
					EPDM	001Z60025EP
					PTFE - FDA	001Z60025PT70
					SILICONE FDA	001Z60025SIF
3/8"	25,00	65,00	20,00	1.4404	FPM/FKM	001Z60037V
					EPDM	001Z60037EP
					PTFE - FDA	001Z60037PT70
					SILICONE FDA	001Z60037SIF
1/2"	30,00	75,00	25,00	1.4404	FPM/FKM	001Z60050V
					EPDM	001Z60050EP
					PTFE - FDA	001Z60050PT70
					SILICONE FDA	001Z60050SIF
3/4"	38,00	80,00	32,00	1.4404	FPM/FKM	001Z60075V
					EPDM	001Z60075EP
					PTFE - FDA	001Z60075PT70
					SILICONE FDA	001Z60075SIF
1"	48,00	85,00	40,00	1.4404	FPM/FKM	001Z60100V
					EPDM	001Z60100EP
					PTFE - FDA	001Z60100PT70
					SILICONE FDA	001Z60100SIF
1.1/4"	60,00	90,00	50,00	1.4404	FPM/FKM	001Z60125V
					EPDM	001Z60125EP
					PTFE - FDA	001Z60125PT70
					SILICONE FDA	001Z60125SIF
1.1/2"	65,00	95,00	56,00	1.4404	FPM/FKM	001Z60150V
					EPDM	001Z60150EP
					PTFE - FDA	001Z60150PT70
					SILICONE FDA	001Z60150SIF
2"	75,00	105,00	66,00	1.4404	FPM/FKM	001Z60200V
					EPDM	001Z60200EP
					PTFE - FDA	001Z60200PT70
					SILICONE FDA	001Z60200SIF
2.1/2"	99,00	130,00	85,00	1.4404	FPM/FKM	001Z60250V
					EPDM	001Z60250EP
					PTFE - FDA	001Z60250PT70
					SILICONE FDA	001Z60250SIF

Int. finishing: $Ra \leq 1,6 \mu m$
 Ext. finishing: $Ra \leq 1,6 \mu m$

Valve body machined from solid, no middle connections. The closure area is between the 2 support points of the piston.

Max Working Conditions:
60 bar and (870 psi) and 150°C (300°F)

Gaskets:
FDA approved PTFE or FPM/FKM or EPDM or SILICONE



N°	Name	Material
1	Body	AISI 316L
2	Bearing	AISI 316L
3	Spring	AISI 316L or AISI 316
4	Gasket	FPM/FKM or EPDM or PTFE-FDA or SILICONE
5	Nut	AISI 316L
6	Piston	AISI 316L

N°	Description	Valve size	Code
2	Bearing n° 1 pcs	1/4"	0016002502
		3/8"	0016003702
		1/2"	0016005002
		3/4"	0016007502
		1"	0016010002
		1.1/4"	0016012502
		1.1/2"	0016015002
		2"	0016020002
3	Spring n° 1 pcs	1/4"	0016002503
		3/8"	0016003703
		1/2"	0016005003
		3/4"	0016007503
		1"	0016010003
		1.1/4"	0016012503
		1.1/2"	0016015003
		2"	0016020003
4	FPM/FKM Gasket n° 1 pcs	1/4"	001X002504V
		3/8"	001X003704V
		1/2"	001X005004V
		3/4"	001X007504V
		1"	001X010004V
		1.1/4"	001X012504V
		1.1/2"	001X015004V
		2"	001X020004V
4	EPDM Gasket n° 1 pcs	1/4"	001X002504EP
		3/8"	001X003704EP
		1/2"	001X005004EP
		3/4"	001X007504EP
		1"	001X010004EP
		1.1/4"	001X012504EP
		1.1/2"	001X015004EP
		2"	001X020004EP
4	PTFE-FDA Gasket n° 1 pcs	1/4"	001X002504PT70
		3/8"	001X003704PT70
		1/2"	001X005004PT70
		3/4"	001X007504PT70
		1"	001X010004PT70
		1.1/4"	001X012504PT70
		1.1/2"	001X015004PT70
		2"	001X020004PT70
4	SILICONE FDA Gasket n° 1 pcs	1/4"	001X002504SIF
		3/8"	001X003704SIF
		1/2"	001X005004SIF
		3/4"	001X007504SIF
		1"	001X010004SIF
		1.1/4"	001X012504SIF
		1.1/2"	001X015004SIF
		2"	001X020004SIF
5	Nut n° 1 pcs	1/4"	N-A4-M03-H024
		3/8"	N-A4-M04-H040
		1/2"	N-A4-M05-H040
		3/4"	N-A4-M06-H050
		1"	N-A4-M06-H050
		1.1/4"	N-A4-M08-H065
		1.1/2"	N-A4-M10-H060
		2"	N-A4-M10-H060
6	Piston n° 1 pcs	1/4"	0016002506
		3/8"	0016003706
		1/2"	0016005006
		3/4"	0016007506
		1"	0016010006
		1.1/4"	0016012506
		1.1/2"	0016015006
		2"	0016020006
6	Piston n° 1 pcs	2.1/2"	0016025006

N°	Description	Valve size	Code
2	Bearing n° 1 pcs	1/4"	0016002502
		3/8"	0016003702
		1/2"	0016005002
		3/4"	0016007502
		1"	0016010002
		1.1/4"	0016012502
		1.1/2"	0016015002
		2"	0016020002
3	Spring n° 1 pcs	1/4"	0016002503
		3/8"	0016003703
		1/2"	0016005003
		3/4"	0016007503
		1"	0016010003
		1.1/4"	0016012503
		1.1/2"	0016015003
		2"	0016020003
4	FPM/FKM Gasket n° 1 pcs	1/4"	001X002504V
		3/8"	001X003704V
		1/2"	001X005004V
		3/4"	001X007504V
		1"	001X010004V
		1.1/4"	001X012504V
		1.1/2"	001X015004V
		2"	001X020004V
4	EPDM Gasket n° 1 pcs	1/4"	001X002504EP
		3/8"	001X003704EP
		1/2"	001X005004EP
		3/4"	001X007504EP
		1"	001X010004EP
		1.1/4"	001X012504EP
		1.1/2"	001X015004EP
		2"	001X020004EP
4	PTFE-FDA Gasket n° 1 pcs	1/4"	001X002504PT70
		3/8"	001X003704PT70
		1/2"	001X005004PT70
		3/4"	001X007504PT70
		1"	001X010004PT70
		1.1/4"	001X012504PT70
		1.1/2"	001X015004PT70
		2"	001X020004PT70
4	SILICONE FDA Gasket n° 1 pcs	1/4"	001X002504SIF
		3/8"	001X003704SIF
		1/2"	001X005004SIF
		3/4"	001X007504SIF
		1"	001X010004SIF
		1.1/4"	001X012504SIF
		1.1/2"	001X015004SIF
		2"	001X020004SIF
5	Nut n° 1 pcs	1/4"	N-A4-M03-H024
		3/8"	N-A4-M04-H040
		1/2"	N-A4-M05-H040
		3/4"	N-A4-M06-H050
		1"	N-A4-M06-H050
		1.1/4"	N-A4-M08-H065
		1.1/2"	N-A4-M10-H060
		2"	N-A4-M10-H060
6	Piston n° 1 pcs	1/4"	0016002506
		3/8"	0016003706
		1/2"	0016005006
		3/4"	0016007506
		1"	0016010006
		1.1/4"	0016012506
		1.1/2"	0016015006
		2"	0016020006
6	Piston n° 1 pcs	2.1/2"	0016025006



Male Gas Threaded BSPP

Size	A	L	B	Valve Material	Gasket Material	Code
1/4"	27,50	105,00	23,00	1.4404	FPM/FKM + PTFE	002Z60025V+PT70
					SILICONE FDA	002Z60025SIF
3/8"	31,00	115,00	29,50	1.4404	FPM/FKM + PTFE	002Z60037V+PT70
					SILICONE FDA	002Z60037SIF
1/2"	37,00	133,00	36,00	1.4404	FPM/FKM + PTFE	002Z60050V+PT70
					SILICONE FDA	002Z60050SIF
3/4"	44,00	145,00	44,50	1.4404	FPM/FKM + PTFE	002Z60075V+PT70
					SILICONE FDA	002Z60075SIF
1"	51,00	165,00	50,00	1.4404	FPM/FKM + PTFE	002Z60100V+PT70
					SILICONE FDA	002Z60100SIF

Int. finishing: $Ra \leq 1,6 \mu m$
 Ext. finishing: $Ra \leq 1,6 \mu m$

Adjustable minimum opening pressure, turning the screw on the top of the valve.

Max Working Conditions:
150°C (300°F) - Check maximum pressure installation on the following product data sheet.

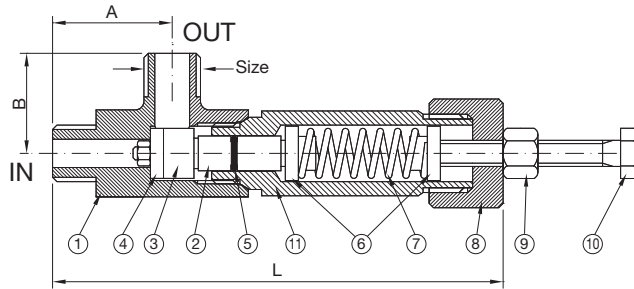
Gaskets:
FDA approved PTFE + FPM/FKM or SILICONE for lowest pressure applications

Regulating Opening Pressure

FPM/FKM + PTFE GASKETS		
Size	Minimum	Maximum
1/4"	1 bar / 14,5 PSI	3 bar / 43,5 PSI
3/8"	1 bar / 14,5 PSI	3 bar / 43,5 PSI
1/2"	1 bar / 14,5 PSI	10 bar / 145 PSI
3/4"	1 bar / 14,5 PSI	6 bar / 87,0 PSI
1"	1 bar / 14,5 PSI	6 bar / 87,0 PSI

SILICONE GASKETS		
Size	Minimum	Maximum
1/4"	0,5 bar / 7,3 PSI	1 bar / 14,5 PSI
3/8"	0,5 bar / 7,3 PSI	1 bar / 14,5 PSI
1/2"	0,5 bar / 7,3 PSI	1 bar / 14,5 PSI
3/4"	0,5 bar / 7,3 PSI	1 bar / 14,5 PSI
1"	0,5 bar / 7,3 PSI	1 bar / 14,5 PSI

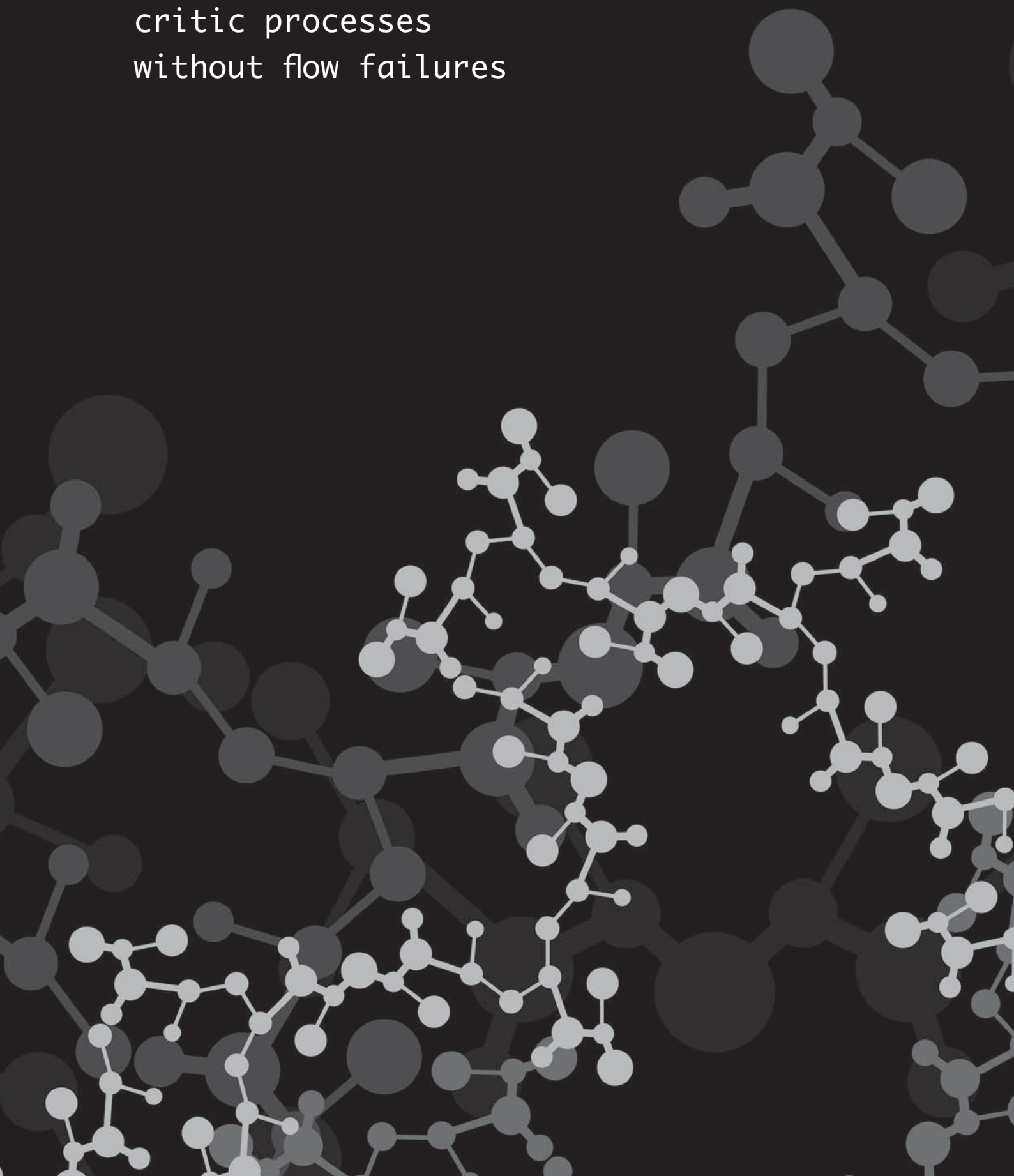
SPARE PARTS



N°	Name	Material
1	Body	AISI 316L
2	Piston	AISI 316L
3	Gasket Support	AISI 316L
4	Gasket	PTFE or SILICONE FDA
5	O-Ring	FPM/FKM or SILICONE FDA
6	Spring Guide	AISI 316L
7	Spring	AISI 316L or AISI 316
8	Cap	AISI 316L
9	Nut	AISI 304
10	Screw	AISI 304
11	Piston Support	AISI 316L

N°	Description	Valve size	Code
2	Piston n° 1 pcs	1/4"	0026002502
		3/8"	0026003702
		1/2"	0026005002
		3/4"	0026007502
		1"	0026010002
3	Gasket Support n° 1 PCS	1/4"	0026002503
		3/8"	0026003703
		1/2"	0026005003
		3/4"	0026007503
		1"	0026010003
4+5	Gasket PTFE + O-Ring KIT FPM/FKM n° 1 + 1 pcs	1/4"	002X002545K1
		3/8"	002X003745K1
		1/2"	002X005045K1
		3/4"	002X007545K1
		1"	002X010045K1
4+5	Gasket Silicone + O-Ring KIT Silicone n° 1 + 1 pcs	1/4"	002X002545K2
		3/8"	002X003745K2
		1/2"	002X005045K2
		3/4"	002X007545K2
		1"	002X010045K2
7	Spring n° 1 pcs	1/4"	0026002507
		3/8"	0026003707
		1/2"	0026005007
		3/4"	0026007507
		1"	0026010007
9	Nut n° 1 pcs	1/4"	N-A2-M06-H050
		3/8"	N-A2-M08-H065
		1/2"	N-A2-M10-H060
		3/4"	N-A2-M10-H060
		1"	N-A2-M10-H060
10	Screw n° 1 pcs	1/4"	HSH-M06X40-A2
		3/8"	HSH-M08X40-A2
		1/2"	HSH-M10X60-A2
		3/4"	HSH-M10X60-A2
		1"	HSH-M10X60-A2
11	Piston support n° 1 pcs	1/4"	0026002511
		3/8"	0026003711
		1/2"	0026005011
		3/4"	0026007511
		1"	0026010011

// Fittings and adaptors
are the ligand to make alive
critic processes
without flow failures



TRI-CLAMP FITTINGS



ART. 110
Tri-Clamp Ferrule
1.4435

P. 078



ART. 115
Tri-Clamp Ferrule
1.4404

P. 080



ART. 085
Mini Tri-Clamp

P. 084



ART. 120
Solid end Cap
1.4435

P. 085



ART. 125
Solid end Cap
1.4404

P. 086



ART. 030
Tri-Clamp Tee

P. 087



ART. 031
Tri-Clamp Elbow

P. 087



ART. 028
Hose Barb

P. 088



ART. 040
Tri-Clamp Reducer

P. 090



ART. 026
Tri-Clamp Male Adaptor

P. 094



ART. 027
Tri-Clamp Female Adaptor

P. 104



ART. 034
Double Pin Clamp

P. 114



ART. 039
Single Pin Clamp

P. 115



ART. 035
High Pressure Clamp

P. 115



ART. 097
Instrument Port

P. 116



ART. 036
Tri-Clamp Gaskets

P. 118

ART. 110

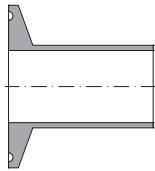
TRI-CLAMP FITTINGS



TRI-CLAMP FERRULE 1.4435

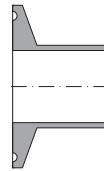
According to Table: DT-22
Sulfur: $\leq 0,017\%$

EXTRA LONG



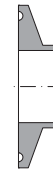
ART. 110/A
P. 078

LONG



ART. 110/B
P. 079

SHORT



ART. 110/C
P. 079

ART. 110/A Extra long ferrule

ASTM A270 Flange Design according to ASME-BPE

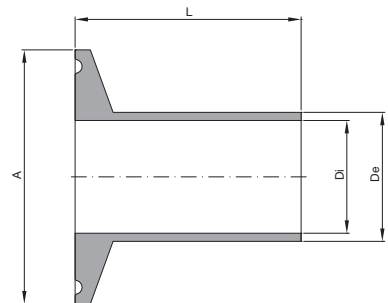
Size	A	Ø De	Ø Di	L	Material	Finishing	Code
1/4"	25,00	6,35	4,57	44,50	1.4435-BN2	SF-1	110A50025SF1
						SF-4	110A50025SF4
3/8"	25,00	9,53	7,75	44,50	1.4435-BN2	SF-1	110A50037SF1
						SF-4	110A50037SF4
1/2"	25,00	12,70	9,40	44,50	1.4435-BN2	SF-1	110A50050SF1
						SF-4	110A50050SF4
3/4"	25,00	19,05	15,75	44,50	1.4435-BN2	SF-1	110A50075SF1
						SF-4	110A50075SF4
1"	50,50	25,40	22,10	44,50	1.4435-BN2	SF-1	110A50100SF1
						SF-4	110A50100SF4
1.1/2"	50,50	38,10	34,80	44,50	1.4435-BN2	SF-1	110A50150SF1
						SF-4	110A50150SF4
2"	64,00	50,80	47,50	57,20	1.4435-BN2	SF-1	110A50200SF1
						SF-4	110A50200SF4
2.1/2"	77,40	63,50	60,20	57,20	1.4435-BN2	SF-1	110A50250SF1
						SF-4	110A50250SF4
3"	90,90	76,20	72,90	57,20	1.4435-BN2	SF-1	110A50300SF1
						SF-4	110A50300SF4
4"	118,90	101,60	97,39	57,20	1.4435-BN2	SF-1	110A50400SF1
						SF-4	110A50400SF4
6"	166,90	152,40	146,86	76,20	1.4435-BN2	SF-1	110A50600SF1
						SF-4	110A50600SF4

SF-1

Int. finishing: $Ra \leq 0,4 \mu\text{m}$ Machined Finish
Ext. finishing: $Ra \leq 0,8 \mu\text{m}$ Machined Finish

SF-4

Int. finishing: $Ra \leq 0,4 \mu\text{m}$ Electropolished
Ext. finishing: $Ra \leq 0,8 \mu\text{m}$ Electropolished



ART. 110/B Long ferrule

ASTM A270 Flange Design according to ASME-BPE

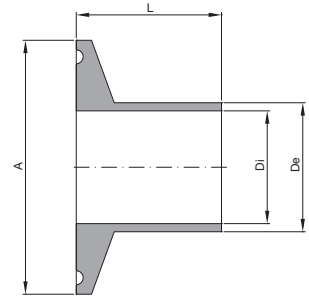
Size	A	Ø De	Ø Di	L	Material	Finishing	Code
1/4"	25,00	6,35	4,57	28,70	1.4435-BN2	SF-1	110B50025SF1
						SF-4	110B50025SF4
3/8"	25,00	9,53	7,75	28,70	1.4435-BN2	SF-1	110B50037SF1
						SF-4	110B50037SF4
1/2"	25,00	12,70	9,40	28,70	1.4435-BN2	SF-1	110B50050SF1
						SF-4	110B50050SF4
3/4"	25,00	19,05	15,75	28,70	1.4435-BN2	SF-1	110B50075SF1
						SF-4	110B50075SF4
1"	50,50	25,40	22,10	28,70	1.4435-BN2	SF-1	110B50100SF1
						SF-4	110B50100SF4
1.1/2"	50,50	38,10	34,80	28,70	1.4435-BN2	SF-1	110B50150SF1
						SF-4	110B50150SF4
2"	64,00	50,80	47,50	28,70	1.4435-BN2	SF-1	110B50200SF1
						SF-4	110B50200SF4
2.1/2"	77,40	63,50	60,20	28,70	1.4435-BN2	SF-1	110B50250SF1
						SF-4	110B50250SF4
3"	90,90	76,20	72,90	28,70	1.4435-BN2	SF-1	110B50300SF1
						SF-4	110B50300SF4
4"	118,90	101,60	97,39	28,70	1.4435-BN2	SF-1	110B50400SF1
						SF-4	110B50400SF4
6"	166,90	152,40	146,86	38,10	1.4435-BN2	SF-1	110B50600SF1
						SF-4	110B50600SF4

SF-1

Int. finishing: $Ra \leq 0,4 \mu\text{m}$ Machined Finish
 Ext. finishing: $Ra \leq 0,8 \mu\text{m}$ Machined Finish

SF-4

Int. finishing: $Ra \leq 0,4 \mu\text{m}$ Electropolished
 Ext. finishing: $Ra \leq 0,8 \mu\text{m}$ Electropolished

**ART. 110/C Short ferrule**

ASTM A270 Flange Design according to ASME-BPE

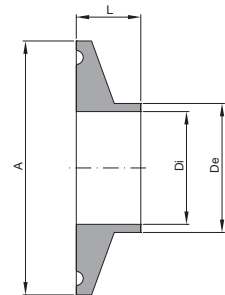
Size	A	Ø De	Ø Di	L	Material	Finishing	Code
1/4"	25,00	6,35	4,57	12,70	1.4435-BN2	SF-1	110C50025SF1
						SF-4	110C50025SF4
3/8"	25,00	9,53	7,75	12,70	1.4435-BN2	SF-1	110C50037SF1
						SF-4	110C50037SF4
1/2"	25,00	12,70	9,40	12,70	1.4435-BN2	SF-1	110C50050SF1
						SF-4	110C50050SF4
3/4"	25,00	19,05	15,75	12,70	1.4435-BN2	SF-1	110C50075SF1
						SF-4	110C50075SF4
1"	50,50	25,40	22,10	12,70	1.4435-BN2	SF-1	110C50100SF1
						SF-4	110C50100SF4
1.1/2"	50,50	38,10	34,80	12,70	1.4435-BN2	SF-1	110C50150SF1
						SF-4	110C50150SF4
2"	64,00	50,80	47,50	12,70	1.4435-BN2	SF-1	110C50200SF1
						SF-4	110C50200SF4
2.1/2"	77,40	63,50	60,20	12,70	1.4435-BN2	SF-1	110C50250SF1
						SF-4	110C50250SF4
3"	90,90	76,20	72,90	12,70	1.4435-BN2	SF-1	110C50300SF1
						SF-4	110C50300SF4
4"	118,90	101,60	97,39	15,90	1.4435-BN2	SF-1	110C50400SF1
						SF-4	110C50400SF4
6"	166,90	152,40	146,86	19,10	1.4435-BN2	SF-1	110C50600SF1
						SF-4	110C50600SF4

SF-1

Int. finishing: $Ra \leq 0,4 \mu\text{m}$ Machined Finish
 Ext. finishing: $Ra \leq 0,8 \mu\text{m}$ Machined Finish

SF-4

Int. finishing: $Ra \leq 0,4 \mu\text{m}$ Electropolished
 Ext. finishing: $Ra \leq 0,8 \mu\text{m}$ Electropolished



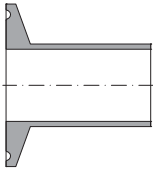
ART. 115

TRI-CLAMP FITTINGS



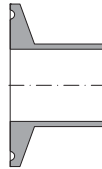
TRI-CLAMP FERRULE 1.4404

EXTRA LONG



ART. 115/A
P. 080

LONG



ART. 115/B
P. 081

SHORT



ART. 115/C
P. 081

MEDIUM



ART. 115/D
P. 082

ART. 115/A Extra long ferrule

ASTM A270 Flange Design according to ASME-BPE

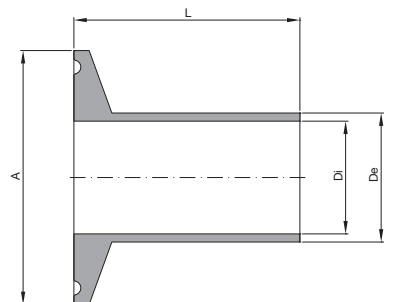
Size	A	Ø De	Ø Di	L	Material	Finishing	Code
1/2"	25,00	12,70	9,40	44,50	1.4404	SF-1	115A60050SF1
						ML	115A60050ML
3/4"	25,00	19,05	15,75	44,50	1.4404	SF-1	115A60075SF1
						ML	115A60075ML
1"	50,50	25,40	22,10	44,50	1.4404	SF-1	115A60100SF1
						ML	115A60100ML
1.1/2"	50,50	38,10	34,80	44,50	1.4404	SF-1	115A60150SF1
						ML	115A60150ML
2"	64,00	50,80	47,50	57,20	1.4404	SF-1	115A60200SF1
						ML	115A60200ML
2.1/2"	77,40	63,50	60,20	57,20	1.4404	SF-1	115A60250SF1
						ML	115A60250ML
3"	90,90	76,20	72,90	57,20	1.4404	SF-1	115A60300SF1
						ML	115A60300ML
4"	118,90	101,60	97,39	57,20	1.4404	SF-1	115A60400SF1
						ML	115A60400ML
6"	166,90	152,40	146,86	76,20	1.4404	SF-1	115A60600SF1
						ML	115A60600ML

SF-1

Int. finishing: $Ra \leq 0,4 \mu\text{m}$ Machined Finish
Ext. finishing: $Ra \leq 0,8 \mu\text{m}$ Machined Finish

ML

Int. finishing: $Ra \leq 0,4 \mu\text{m}$ Machined Finish
Ext. finishing: $Ra \leq 0,8 \mu\text{m}$ Mirror Polished



ART. 115/B Long ferrule

ASTM A270 Flange Design according to ASME-BPE

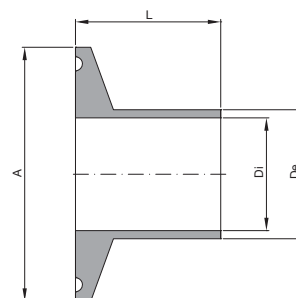
Size	A	Ø De	Ø Di	L	Material	Finishing	Code
1/2"	25,00	12,70	9,40	28,70	1.4404	SF-1	115B60050 SF1
						ML	115B60050 ML
3/4"	25,00	19,05	15,75	28,70	1.4404	SF-1	115B60075 SF1
						ML	115B60075 ML
1"	50,50	25,40	22,10	28,70	1.4404	SF-1	115B60100 SF1
						ML	115B60100 ML
1.1/2"	50,50	38,10	34,80	28,70	1.4404	SF-1	115B60150 SF1
						ML	115B60150 ML
2"	64,00	50,80	47,50	28,70	1.4404	SF-1	115B60200 SF1
						ML	115B60200 ML
2.1/2"	77,40	63,50	60,20	28,70	1.4404	SF-1	115B60250 SF1
						ML	115B60250 ML
3"	90,90	76,20	72,90	28,70	1.4404	SF-1	115B60300 SF1
						ML	115B60300 ML
4"	118,90	101,60	97,39	28,70	1.4404	SF-1	115B60400 SF1
						ML	115B60400 ML
6"	166,90	152,40	146,86	38,10	1.4404	SF-1	115B60600 SF1
						ML	115B60600 ML

SF-1

Int. finishing: $Ra \leq 0,4 \mu\text{m}$ Machined Finish
 Ext. finishing: $Ra \leq 0,8 \mu\text{m}$ Machined Finish

ML

Int. finishing: $Ra \leq 0,4 \mu\text{m}$ Machined Finish
 Ext. finishing: $Ra \leq 0,8 \mu\text{m}$ Mirror Polished

**ART. 115/C Short ferrule**

ASTM A270 Flange Design according to ASME-BPE

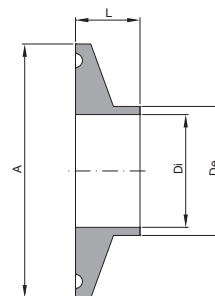
Size	A	Ø De	Ø Di	L	Material	Finishing	Code
1/2"	25,00	12,70	9,40	12,70	1.4404	SF-1	115C60050 SF1
						ML	115C60050 ML
3/4"	25,00	19,05	15,75	12,70	1.4404	SF-1	115C60075 SF1
						ML	115C60075 ML
1"	50,50	25,40	22,10	12,70	1.4404	SF-1	115C60100 SF1
						ML	115C60100 ML
1.1/2"	50,50	38,10	34,80	12,70	1.4404	SF-1	115C60150 SF1
						ML	115C60150 ML
2"	64,00	50,80	47,50	12,70	1.4404	SF-1	115C60200 SF1
						ML	115C60200 ML
2.1/2"	77,40	63,50	60,20	12,70	1.4404	SF-1	115C60250 SF1
						ML	115C60250 ML
3"	90,90	76,20	72,90	12,70	1.4404	SF-1	115C60300 SF1
						ML	115C60300 ML
4"	118,90	101,60	97,39	15,90	1.4404	SF-1	115C60400 SF1
						ML	115C60400 ML
6"	166,90	152,40	146,86	19,10	1.4404	SF-1	115C60600 SF1
						ML	115C60600 ML

SF-1

Int. finishing: $Ra \leq 0,4 \mu\text{m}$ Machined Finish
 Ext. finishing: $Ra \leq 0,8 \mu\text{m}$ Machined Finish

ML

Int. finishing: $Ra \leq 0,4 \mu\text{m}$ Machined Finish
 Ext. finishing: $Ra \leq 0,8 \mu\text{m}$ Mirror Polished



ART. 115/D Medium ferrule

ASTM A270 Flange Design according to ASME-BPE

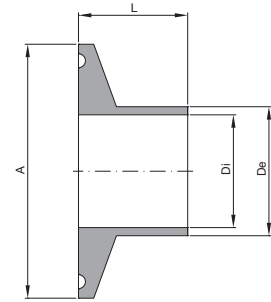
Size	A	Ø De	Ø Di	L	Material	Finishing	Code
1/2"	25,00	12,70	9,40	21,50	1.4404	SF-1	115D60050SF1
						ML	115D60050ML
3/4"	25,00	19,05	15,75	21,50	1.4404	SF-1	115D60075SF1
						ML	115D60075ML
1"	50,50	25,40	22,10	21,50	1.4404	SF-1	115D60100SF1
						ML	115D60100ML
1.1/2"	50,50	38,10	34,80	21,50	1.4404	SF-1	115D60150SF1
						ML	115D60150ML
2"	64,00	50,80	47,50	21,50	1.4404	SF-1	115D60200SF1
						ML	115D60200ML
2.1/2"	77,40	63,50	60,20	21,50	1.4404	SF-1	115D60250SF1
						ML	115D60250ML
3"	90,90	76,20	72,90	21,50	1.4404	SF-1	115D60300SF1
						ML	115D60300ML
4"	118,90	101,60	97,39	21,50	1.4404	SF-1	115D60400SF1
						ML	115D60400ML
6"	166,90	152,40	146,86	21,50	1.4404	SF-1	115D60600SF1
						ML	115D60600ML

SF-1

Int. finishing: $Ra \leq 0,4 \mu\text{m}$ Machined Finish
 Ext. finishing: $Ra \leq 0,8 \mu\text{m}$ Machined Finish

ML

Int. finishing: $Ra \leq 0,4 \mu\text{m}$ Machined Finish
 Ext. finishing: $Ra \leq 0,8 \mu\text{m}$ Mirror Polished

**ART. 115/D Medium ferrule**

DIN 32676 Tri-Clamp

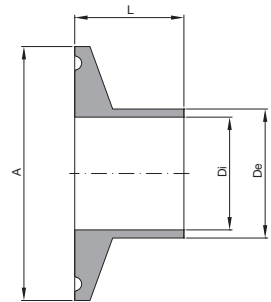
Size	A	Ø De	Ø Di	L	Material	Finishing	Code
DN 10	34,00	13,00	10,00	18,00	1.4404	SF-1	115D6D010SF1
						ML	115D6D010ML
DN 15	34,00	19,00	16,00	18,00	1.4404	SF-1	115D6D015SF1
						ML	115D6D015ML
DN 20	34,00	23,00	20,00	18,00	1.4404	SF-1	115D6D020SF1
						ML	115D6D020ML
DN 25	50,50	29,00	26,00	21,50	1.4404	SF-1	115D6D025SF1
						ML	115D6D025ML
DN 32	50,50	35,00	32,00	21,50	1.4404	SF-1	115D6D032SF1
						ML	115D6D032ML
DN 40	50,50	41,00	38,00	21,50	1.4404	SF-1	115D6D040SF1
						ML	115D6D040ML
DN 50	64,00	53,00	50,00	21,50	1.4404	SF-1	115D6D050SF1
						ML	115D6D050ML
DN 65	91,00	70,00	66,00	21,50	1.4404	SF-1	115D6D065SF1
						ML	115D6D065ML
DN 80	106,00	85,00	81,00	21,50	1.4404	SF-1	115D6D080SF1
						ML	115D6D080ML
DN 100	119,00	104,00	100,00	21,50	1.4404	SF-1	115D6D100SF1
						ML	115D6D100ML

SF-1

Int. finishing: $Ra \leq 0,4 \mu\text{m}$ Machined Finish
 Ext. finishing: $Ra \leq 0,8 \mu\text{m}$ Machined Finish

ML

Int. finishing: $Ra \leq 0,4 \mu\text{m}$ Machined Finish
 Ext. finishing: $Ra \leq 0,8 \mu\text{m}$ Mirror Polished



ART. 115/D Medium ferrule
 ISO 1127

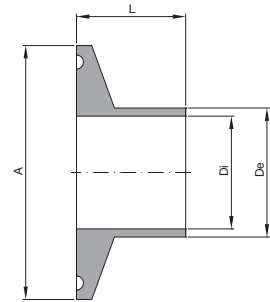
Size	A	Ø De	Ø Di	L	Material	Finishing	Code
DN 8	34,00	13,50	10,30	18,00	1.4404	SF-1	115D61008SF1
						ML	115D61008ML
DN 10	34,00	17,20	14,00	18,00	1.4404	SF-1	115D61010SF1
						ML	115D61010ML
DN 15	34,00	21,30	18,10	18,00	1.4404	SF-1	115D61015SF1
						ML	115D61015ML
DN 20	50,50	26,90	23,70	21,50	1.4404	SF-1	115D61020SF1
						ML	115D61020ML
DN 25	50,50	33,70	29,70	21,50	1.4404	SF-1	115D61025SF1
						ML	115D61025ML
DN 32	50,50	42,40	38,40	21,50	1.4404	SF-1	115D61032SF1
						ML	115D61032ML
DN 40	64,00	48,30	44,30	21,50	1.4404	SF-1	115D61040SF1
						ML	115D61040ML
DN 50	77,50	60,30	56,30	21,50	1.4404	SF-1	115D61050SF1
						ML	115D61050ML
DN 65	91,00	76,10	72,10	21,50	1.4404	SF-1	115D61065SF1
						ML	115D61065ML
DN 80	106,00	88,90	84,30	21,50	1.4404	SF-1	115D61080SF1
						ML	115D61080ML

SF-1

Int. finishing: **Ra ≤ 0,4 µm Machined Finish**
 Ext. finishing: **Ra ≤ 0,8 µm Machined Finish**

ML

Int. finishing: **Ra ≤ 0,4 µm Machined Finish**
 Ext. finishing: **Ra ≤ 0,8 µm Mirror Polished**

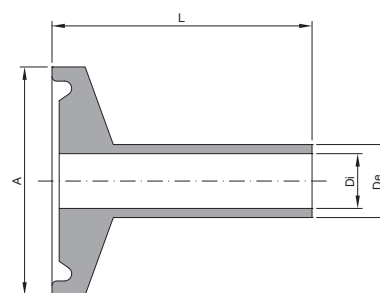




Flange Design according to ASME-BPE

Size	A	Ø De	Ø Di	L	Material	Finishing	Code
DN4	25,00	6,00	4,00	21,50	1.4404	SF-1	085Z6D004SF1
					1.4435-BN2	SF-1	085Z5D004SF1
DN6	25,00	8,00	6,00	21,50	1.4404	SF-1	085Z6D006SF1
					1.4435-BN2	SF-1	085Z5D006SF1
DN8	25,00	10,00	8,00	21,50	1.4404	SF-1	085Z6D008SF1
					1.4435-BN2	SF-1	085Z5D008SF1
DN10	25,00	12,00	10,00	21,50	1.4404	SF-1	085Z6D010SF1
					1.4435-BN2	SF-1	085Z5D010SF1
DN12	25,00	14,00	12,00	21,50	1.4404	SF-1	085Z6D012SF1
					1.4435-BN2	SF-1	085Z5D012SF1
DN14	25,00	16,00	14,00	21,50	1.4404	SF-1	085Z6D014SF1
					1.4435-BN2	SF-1	085Z5D014SF1
DN18	25,00	18,00	16,00	21,50	1.4404	SF-1	085Z6D018SF1
					1.4435-BN2	SF-1	085Z5D018SF1
1/4"	25,00	6,35	4,57	21,50	1.4404	SF-1	085Z60025SF1
					1.4435-BN2	SF-1	085Z50025SF1
3/8"	25,00	9,53	7,75	21,50	1.4404	SF-1	085Z60037SF1
					1.4435-BN2	SF-1	085Z50037SF1

SF-1

Int. finishing: $Ra \leq 0,4 \mu\text{m}$ Machined FinishExt. finishing: $Ra \leq 0,8 \mu\text{m}$ Machined Finish



Solid End Cap made on AISI 316L - 1.4435-BN2

A	L	ASTM A270	DIN 32676	ISO 1127	Material	Finishing	Code
25,00	6,00	1/2" - 3/4"	-	-	1.4435-BN2	SF-1	120Z50050SF1
						SF-4	120Z50050SF4
						LL	120Z50050LL
						LL-E	120Z50050LL-E
34,00	6,00	-	DN 10-15-20	DN 8-10-15	1.4435-BN2	SF-1	120Z5D010SF1
						SF-4	120Z5D010SF4
						LL	120Z5D010LL
						LL-E	120Z5D010LL-E
50,50	6,00	1" - 1.1/2"	DN 25-32-40	DN 20-25-32	1.4435-BN2	SF-1	120Z50100SF1
						SF-4	120Z50100SF4
						LL	120Z50100LL
						LL-E	120Z50100LL-E
64,00	7,00	2"	DN 50	DN 40	1.4435-BN2	SF-1	120Z50200SF1
						SF-4	120Z50200SF4
						LL	120Z50200LL
						LL-E	120Z50200LL-E
77,50	7,00	2.1/2"	-	DN 50	1.4435-BN2	SF-1	120Z50250SF1
						SF-4	120Z50250SF4
						LL	120Z50250LL
						LL-E	120Z50250LL-E
91,00	7,00	3"	DN 65	DN 65	1.4435-BN2	SF-1	120Z50300SF1
						SF-4	120Z50300SF4
						LL	120Z50300LL
						LL-E	120Z50300LL-E
106,00	6,35	-	DN 80	DN 80	1.4435-BN2	SF-1	120Z5D080SF1
						SF-4	120Z5D080SF4
						LL	120Z5D080LL
						LL-E	120Z5D080LL-E
119,00	7,90	4"	DN 100	-	1.4435-BN2	SF-1	120Z50400SF1
						SF-4	120Z50400SF4
						LL	120Z50400LL
						LL-E	120Z50400LL-E
130,00	10,00	-	-	DN 100	1.4435-BN2	SF-1	120Z5D100SF1
						SF-4	120Z5D100SF4
						LL	120Z5D100LL
						LL-E	120Z5D100LL-E
167,00	11,00	6"	-	-	1.4435-BN2	SF-1	120Z50600SF1
						SF-4	120Z50600SF4
						LL	120Z50600LL
						LL-E	120Z50600LL-E

SF-1

Int. finishing: $Ra \leq 0,4 \mu\text{m}$ Machined Finish
 Ext. finishing: $Ra \leq 0,8 \mu\text{m}$ Machined Finish

SF-4

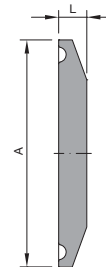
Int. Finishing: $Ra \leq 0,4 \mu\text{m}$ Machined Finish
 + Electropolishing
 Ext. Finishing: $Ra \leq 0,8 \mu\text{m}$ Machined Finish
 + Electropolishing

LL

Int. Finishing: $Ra \leq 0,4 \mu\text{m}$ Mirror Polished
 Ext. Finishing: $Ra \leq 0,8 \mu\text{m}$ Mirror Polished

LL-E

Int. Finishing: $Ra \leq 0,4 \mu\text{m}$ Mirror Polished
 + Electropolishing
 Ext. Finishing: $Ra \leq 0,8 \mu\text{m}$ Mirror Polished
 + Electropolishing





Solid End Cap made on AISI 316L - 1.4404

A	L	ASTM A270	DIN 32676	ISO 1127	Material	Finishing	Code
25,00	6,00	1/2" - 3/4"	-	-	1.4404	SF-1	125Z60050SF1
						SF-4	125Z60050SF4
						LL	125Z60050LL
						LL-E	125Z60050LL-E
34,00	6,00	-	DN 10-15-20	DN 8-10-15	1.4404	SF-1	125Z6D010SF1
						SF-4	125Z6D010SF4
						LL	125Z6D010LL
						LL-E	125Z6D010LL-E
50,50	6,00	1" - 1.1/2"	DN 25-32-40	DN 20-25-32	1.4404	SF-1	125Z60100SF1
						SF-4	125Z60100SF4
						LL	125Z60100LL
						LL-E	125Z60100LL-E
64,00	7,00	2"	DN 50	DN 40	1.4404	SF-1	125Z60200SF1
						SF-4	125Z60200SF4
						LL	125Z60200LL
						LL-E	125Z60200LL-E
77,50	7,00	2.1/2"	-	DN 50	1.4404	SF-1	125Z60250SF1
						SF-4	125Z60250SF4
						LL	125Z60250LL
						LL-E	125Z60250LL-E
91,00	7,00	3"	DN 65	DN 65	1.4404	SF-1	125Z60300SF1
						SF-4	125Z60300SF4
						LL	125Z60300LL
						LL-E	125Z60300LL-E
106,00	6,35	-	DN 80	DN 80	1.4404	SF-1	125Z6D080SF1
						SF-4	125Z6D080SF4
						LL	125Z6D080LL
						LL-E	125Z6D080LL-E
119,00	7,90	4"	DN 100	-	1.4404	SF-1	125Z60400SF1
						SF-4	125Z60400SF4
						LL	125Z60400LL
						LL-E	125Z60400LL-E
130,00	10,00	-	-	DN 100	1.4404	SF-1	125Z6D100SF1
						SF-4	125Z6D100SF4
						LL	125Z6D100LL
						LL-E	125Z6D100LL-E
167,00	11,00	6"	-	-	1.4404	SF-1	125Z60600SF1
						SF-4	125Z60600SF4
						LL	125Z60600LL
						LL-E	125Z60600LL-E

SF-1

Int. finishing: $Ra \leq 0,4 \mu\text{m}$ Machined Finish
 Ext. finishing: $Ra \leq 0,8 \mu\text{m}$ Machined Finish

SF-4

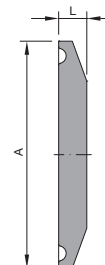
Int. Finishing: $Ra \leq 0,4 \mu\text{m}$ Machined Finish
 + Electropolishing
 Ext. Finishing: $Ra \leq 0,8 \mu\text{m}$ Machined Finish
 + Electropolishing

LL

Int. Finishing: $Ra \leq 0,4 \mu\text{m}$ Mirror Polished
 Ext. Finishing: $Ra \leq 0,8 \mu\text{m}$ Mirror Polished

LL-E

Int. Finishing: $Ra \leq 0,4 \mu\text{m}$ Mirror Polished
 + Electropolishing
 Ext. Finishing: $Ra \leq 0,8 \mu\text{m}$ Mirror Polished
 + Electropolishing





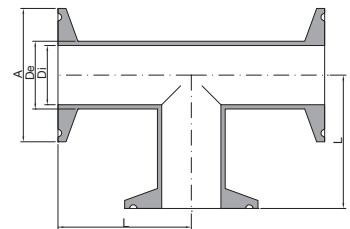
ART. 030 Tri-Clamp Tee

ASTM A270 Flange design according to ASME-BPE

Size	Ø A	Ø De	Ø Di	L	Material	Finishing	Code
1/2"	25,00	12,70	9,40	39,00	1.4404	ML	030C60050ML
1/2"	25,00	12,70	9,40	66,60	1.4404	ML	030Z60050ML
3/4"	25,00	19,05	15,75	48,00	1.4404	ML	030C60075ML
3/4"	25,00	19,05	15,75	66,60	1.4404	ML	030Z60075ML
1"	50,50	25,40	22,10	60,30	1.4404	ML	030Z60100ML
1.1/2"	50,50	38,10	34,80	69,90	1.4404	ML	030Z60150ML
2"	64,00	50,80	47,50	88,90	1.4404	ML	030Z60200ML
2.1/2"	77,40	63,50	60,20	88,90	1.4404	ML	030Z60250ML
3"	90,90	72,60	72,90	95,30	1.4404	ML	030Z60300ML
4"	118,90	101,60	97,39	114,30	1.4404	ML	030Z60400ML

ML

Int. finishing: $Ra \leq 0,4 \mu\text{m}$ Machined Finish
Ext. finishing: $Ra \leq 0,8 \mu\text{m}$ Mirror Polished



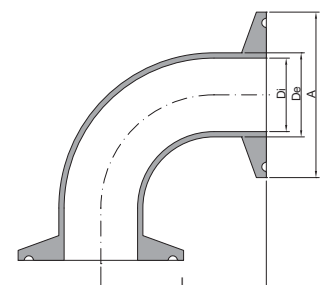
ART. 031 Tri-Clamp Elbow

ASTM A270 Flange design according to ASME-BPE

Size	Ø A	Ø De	Ø Di	L	Material	Finishing	Code
1/2"	25,00	12,70	9,40	39,00	1.4404	ML	031C60050ML
1/2"	25,00	12,70	9,40	88,80	1.4404	ML	031Z60050ML
3/4"	25,00	19,05	15,75	48,00	1.4404	ML	031C60075ML
3/4"	25,00	19,05	15,75	88,80	1.4404	ML	031Z60075ML
1"	50,50	25,40	22,10	50,80	1.4404	ML	031Z60100ML
1.1/2"	50,50	38,10	34,80	69,90	1.4404	ML	031Z60150ML
2"	64,00	50,80	47,50	88,90	1.4404	ML	031Z60200ML
2.1/2"	77,40	63,50	60,20	108,00	1.4404	ML	031Z60250ML
3"	90,90	72,60	72,90	127,00	1.4404	ML	031Z60300ML
4"	118,90	101,60	97,39	168,30	1.4404	ML	031Z60400ML

ML

Int. finishing: $Ra \leq 0,4 \mu\text{m}$ Machined Finish
Ext. finishing: $Ra \leq 0,8 \mu\text{m}$ Mirror Polished





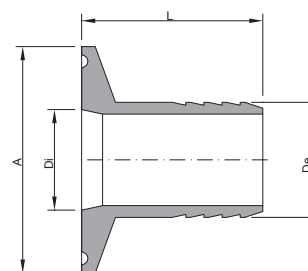
ASTM A270 Flange design according to ASME-BPE

Size	Ø A	Ø De	Ø Di	L	Material	Finishing	Code
1/2"	25,00	12,70	9,40	40,00	1.4404	ML	028A60050ML
3/4"	25,00	19,05	15,75	40,00	1.4404	ML	028A60075ML
1"	50,50	25,40	22,10	40,00	1.4404	ML	028A60100ML
1.1/2"	50,50	38,10	34,80	40,00	1.4404	ML	028A60150ML
2"	64,00	50,80	47,50	50,00	1.4404	ML	028A60200ML
2.1/2"	77,50	63,50	60,20	60,00	1.4404	ML	028A60250ML
3"	90,90	76,20	72,90	78,50	1.4404	ML	028A60300ML
4"	118,90	101,60	97,40	86,50	1.4404	ML	028A60400ML

ML

Int. finishing: $Ra \leq 0,4 \mu\text{m}$ Machined Finish

Ext. finishing: $Ra \leq 0,8 \mu\text{m}$ Mirror Polished



DIN 32676 Tri-Clamp

Size	Ø A	Ø De	Ø Di	L	Material	Finishing	Code
DN 10	34,00	13,00	10,00	40,00	1.4404	ML	028A6D010ML
DN 15	34,00	19,00	16,00	40,00	1.4404	ML	028A6D015ML
DN 20	34,00	23,00	20,00	40,00	1.4404	ML	028A6D020ML
DN 25	50,50	29,00	26,00	40,00	1.4404	ML	028A6D025ML
DN 32	50,50	35,00	47,50	40,00	1.4404	ML	028A6D032ML
DN 40	50,50	41,00	60,20	40,00	1.4404	ML	028A6D040ML

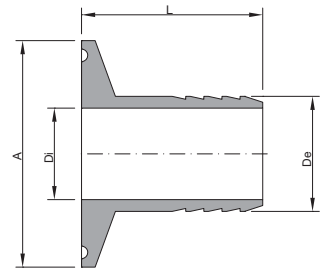
ISO 1127 Tri-Clamp

Size	Ø A	Ø De	Ø Di	L	Material	Finishing	Code
DN 8	34,00	13,50	10,30	40,00	1.4404	ML	028A6I008ML
DN 15	34,00	21,30	18,10	40,00	1.4404	ML	028A6I015ML
DN 20	50,50	26,90	23,70	40,00	1.4404	ML	028A6I020ML
DN 25	50,50	33,70	29,70	40,00	1.4404	ML	028A6I025ML
DN 32	50,50	42,40	38,40	40,00	1.4404	ML	028A6I032ML



ASTM A270 - Flange design according to ASME-BPE

Size	Ø A	Ø De	Ø Di	L	Material	Finishing	Code
1/2"	25,00	6,00	3,00	40,00	1.4404	ML	028B6005006ML
		8,00	5,00	40,00	1.4404	ML	028B6005008ML
		10,00	7,00	40,00	1.4404	ML	028B6005010ML
		12,00	9,50	40,00	1.4404	ML	028B6005012ML
		13,70	10,00	40,00	1.4404	ML	028B6005013ML
		14,00	11,00	40,00	1.4404	ML	028B6005014ML
		16,00	13,00	40,00	1.4404	ML	028B6005016ML
		18,00	15,00	40,00	1.4404	ML	028B6005018ML
		21,30	15,75	40,00	1.4404	ML	028B6005021ML
1"	50,50	6,00	3,00	40,00	1.4404	ML	028B6010006ML
		8,00	5,00	40,00	1.4404	ML	028B6010008ML
		10,00	7,00	40,00	1.4404	ML	028B6010010ML
		12,00	9,50	40,00	1.4404	ML	028B6010012ML
		13,70	10,00	40,00	1.4404	ML	028B6010013ML
		14,00	11,00	40,00	1.4404	ML	028B6010014ML
		16,00	13,00	40,00	1.4404	ML	028B6010016ML
		18,00	15,00	40,00	1.4404	ML	028B6010018ML
				21,30	18,00	40,00	1.4404

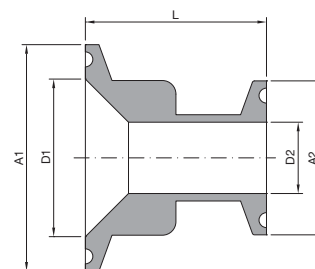
MLInt. finishing: $Ra \leq 0,4 \mu\text{m}$ Machined FinishExt. finishing: $Ra \leq 0,8 \mu\text{m}$ Mirror Polished



ASTM A270

Ø A1	Ø A2	Ø D1	Ø D2	L	Material	Code
3/4" (25,00)	ASTM A270 1/2" (25,00)	15,75	9,40	40,00	1.4404	040600750050ML
1" (50,50)	ASTM A270 1/2" (25,00)	22,10	9,40	40,00	1.4404	040601000050ML
	ASTM A270 3/4" (25,00)	22,10	15,75	40,00	1.4404	040601000075ML
	DIN DN10 (34,00)	22,10	10,00	40,00	1.4404	04060100D010ML
	DIN DN15 (34,00)	22,10	16,00	40,00	1.4404	04060100D015ML
	DIN DN20 (34,00)	22,10	20,00	40,00	1.4404	04060100D020ML
	ISO DN8 (34,00)	22,10	10,30	40,00	1.4404	04060100I008ML
	ISO DN10 (34,00)	22,10	14,00	40,00	1.4404	04060100I010ML
	ISO DN15 (34,00)	22,10	18,10	40,00	1.4404	04060100I015ML
1.1/2" (50,50)	ASTM A270 1/2" (25,00)	34,80	9,40	40,00	1.4404	040601500050ML
	ASTM A270 3/4" (25,00)	34,80	15,75	40,00	1.4404	040601500075ML
	ASTM A270 1" (50,50)	34,80	22,10	40,00	1.4404	040601500100ML
	DIN DN10 (34,00)	34,80	10,00	40,00	1.4404	04060150D010ML
	DIN DN15 (34,00)	34,80	16,00	40,00	1.4404	04060150D015ML
	DIN DN20 (34,00)	34,80	20,00	40,00	1.4404	04060150D020ML
	DIN DN25 (50,50)	34,80	26,00	40,00	1.4404	04060150D025ML
	DIN DN32 (50,50)	34,80	32,00	40,00	1.4404	04060150D032ML
	ISO DN8 (34,00)	34,80	10,30	40,00	1.4404	04060150I008ML
	ISO DN10 (34,00)	34,80	14,00	40,00	1.4404	04060150I010ML
	ISO DN15 (34,00)	34,80	18,10	40,00	1.4404	04060150I015ML
	ISO DN20 (50,50)	34,80	23,70	40,00	1.4404	04060150I020ML
	ISO DN25 (50,50)	34,80	29,70	40,00	1.4404	04060150I025ML
	2" (64,00)	ASTM A270 1/2" (25,00)	47,50	9,40	40,00	1.4404
ASTM A270 3/4" (25,00)		47,50	15,75	40,00	1.4404	040602000075ML
ASTM A270 1" (50,50)		47,50	22,10	40,00	1.4404	040602000100ML
ASTM A270 1.1/2" (50,50)		47,50	34,80	40,00	1.4404	040602000150ML
DIN DN10 (34,00)		47,50	10,00	40,00	1.4404	04060200D010ML
DIN DN15 (34,00)		47,50	16,00	40,00	1.4404	04060200D015ML
DIN DN20 (34,00)		47,50	20,00	40,00	1.4404	04060200D020ML
DIN DN25 (50,50)		47,50	26,00	40,00	1.4404	04060200D025ML
DIN DN32 (50,50)		47,50	32,00	40,00	1.4404	04060200D032ML
DIN DN40 (50,50)		47,50	38,00	40,00	1.4404	04060200D040ML
ISO DN8 (34,00)		47,50	10,30	40,00	1.4404	04060200I008ML
ISO DN10 (34,00)		47,50	14,00	40,00	1.4404	04060200I010ML
ISO DN15 (34,00)		47,50	18,10	40,00	1.4404	04060200I015ML
ISO DN20 (50,50)		47,50	23,70	40,00	1.4404	04060200I020ML
ISO DN25 (50,50)		47,50	29,70	40,00	1.4404	04060200I025ML
ISO DN32 (50,50)		47,50	38,40	40,00	1.4404	04060200I032ML
ISO DN40 (50,50)		47,50	44,30	40,00	1.4404	04060200I040ML

ML

Int. finishing: $Ra \leq 0,4 \mu\text{m}$ Machined FinishExt. finishing: $Ra \leq 0,8 \mu\text{m}$ Mirror Polished



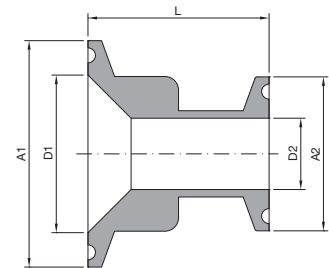
DIN 32676

Ø A1	Ø A2	Ø D1	Ø D2	L	Material	Code
DN15 (34,00)	DIN DN10 (34,00)	16,00	10,00	40,00	1.4404	0406D015D010ML
	ASTM A270 1/2" (25,00)	16,00	9,40	40,00	1.4404	0406D0150050ML
	ASTM A270 3/4" (25,00)	16,00	15,75	40,00	1.4404	0406D0150075ML
	ISO DN8 (34,00)	16,00	10,30	40,00	1.4404	0406D0151008ML
	ISO DN10 (34,00)	16,00	14,00	40,00	1.4404	0406D0151010ML
DN20 (34,00)	DIN DN10 (34,00)	20,00	10,00	40,00	1.4404	0406D020D010ML
	DIN DN15 (34,00)	20,00	16,00	40,00	1.4404	0406D020D015ML
	ASTM A270 1/2" (25,00)	20,00	9,40	40,00	1.4404	0406D0200050ML
	ASTM A270 3/4" (25,00)	20,00	15,75	40,00	1.4404	0406D0200075ML
	ISO DN8 (34,00)	20,00	10,30	40,00	1.4404	0406D0201008ML
	ISO DN10 (34,00)	20,00	14,00	40,00	1.4404	0406D0201010ML
	ISO DN15 (34,00)	20,00	18,10	40,00	1.4404	0406D0201015ML
DN25 (50,50)	DIN DN10 (34,00)	26,00	10,00	40,00	1.4404	0406D025D010ML
	DIN DN15 (34,00)	26,00	16,00	40,00	1.4404	0406D025D015ML
	DIN DN20 (34,00)	26,00	20,00	40,00	1.4404	0406D025D020ML
	ASTM A270 1/2" (25,00)	26,00	9,40	40,00	1.4404	0406D0250050ML
	ASTM A270 3/4" (25,00)	26,00	15,75	40,00	1.4404	0406D0250075ML
	ASTM A270 1" (50,50)	26,00	22,10	40,00	1.4404	0406D0250100ML
	ISO DN8 (34,00)	26,00	10,30	40,00	1.4404	0406D0251008ML
	ISO DN10 (34,00)	26,00	14,00	40,00	1.4404	0406D0251010ML
	ISO DN15 (34,00)	26,00	18,10	40,00	1.4404	0406D0251015ML
	ISO DN20 (50,50)	26,00	23,70	40,00	1.4404	0406D0251020ML
DN32 (50,50)	DIN DN10 (34,00)	32,00	10,00	40,00	1.4404	0406D032D010ML
	DIN DN15 (34,00)	32,00	16,00	40,00	1.4404	0406D032D015ML
	DIN DN20 (34,00)	32,00	20,00	40,00	1.4404	0406D032D020ML
	DIN DN25 (50,50)	32,00	26,00	40,00	1.4404	0406D032D025ML
	ASTM A270 1/2" (25,00)	32,00	9,40	40,00	1.4404	0406D0320050ML
	ASTM A270 3/4" (25,00)	32,00	15,75	40,00	1.4404	0406D0320075ML
	ASTM A270 1" (50,50)	32,00	22,10	40,00	1.4404	0406D0320100ML
	ISO DN8 (34,00)	32,00	10,30	40,00	1.4404	0406D0321008ML
	ISO DN10 (34,00)	32,00	14,00	40,00	1.4404	0406D0321010ML
	ISO DN15 (34,00)	32,00	18,10	40,00	1.4404	0406D0321015ML
	ISO DN20 (50,50)	32,00	23,70	40,00	1.4404	0406D0321020ML
	ISO DN25 (50,50)	32,00	29,70	40,00	1.4404	0406D0321025ML
DN40 (50,50)	DIN DN10 (34,00)	38,00	10,00	40,00	1.4404	0406D040D010ML
	DIN DN15 (34,00)	38,00	16,00	40,00	1.4404	0406D040D015ML
	DIN DN20 (34,00)	38,00	20,00	40,00	1.4404	0406D040D020ML
	DIN DN25 (50,50)	38,00	26,00	40,00	1.4404	0406D040D025ML
	DIN DN32 (50,50)	38,00	32,00	40,00	1.4404	0406D040D032ML
	ASTM A270 1/2" (25,00)	38,00	9,40	40,00	1.4404	0406D0400050ML
	ASTM A270 3/4" (25,00)	38,00	15,75	40,00	1.4404	0406D0400075ML
	ASTM A270 1" (50,50)	38,00	22,10	40,00	1.4404	0406D0400100ML
	ASTM A270 1.1/2" (50,50)	38,00	34,80	40,00	1.4404	0406D0400150ML
	ISO DN8 (34,00)	38,00	10,30	40,00	1.4404	0406D0401008ML
	ISO DN10 (34,00)	38,00	14,00	40,00	1.4404	0406D0401010ML
	ISO DN15 (34,00)	38,00	18,10	40,00	1.4404	0406D0401015ML
	ISO DN20 (50,50)	38,00	23,70	40,00	1.4404	0406D0401020ML
	ISO DN25 (50,50)	38,00	29,70	40,00	1.4404	0406D0401025ML

ML

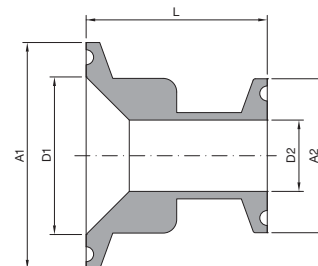
Int. finishing: Ra ≤ 0,4 µm Machined Finish

Ext. finishing: Ra ≤ 0,8 µm Mirror Polished



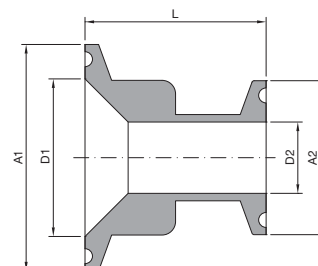
DIN 32676

Ø A1	Ø A2	Ø D1	Ø D2	L	Material	Code
DN50 (64,00)	DIN DN10 (34,00)	50,00	10,00	40,00	1.4404	0406D050D010ML
	DIN DN15 (34,00)	50,00	16,00	40,00	1.4404	0406D050D015ML
	DIN DN20 (34,00)	50,00	20,00	40,00	1.4404	0406D050D020ML
	DIN DN25 (50,50)	50,00	26,00	40,00	1.4404	0406D050D025ML
	DIN DN32 (50,50)	50,00	32,00	40,00	1.4404	0406D050D032ML
	DIN DN40 (50,50)	50,00	38,00	40,00	1.4404	0406D050D040ML
	ASTM A270 1/2" (25,00)	50,00	9,40	40,00	1.4404	0406D0500050ML
	ASTM A270 3/4" (25,00)	50,00	15,75	40,00	1.4404	0406D0500075ML
	ASTM A270 1" (50,50)	50,00	22,10	40,00	1.4404	0406D0500100ML
	ASTM A270 1.1/2" (50,50)	50,00	34,80	40,00	1.4404	0406D0500150ML
	ASTM A270 2" (64,00)	50,00	47,50	40,00	1.4404	0406D0500200ML
	ISO DN8 (34,00)	50,00	10,30	40,00	1.4404	0406D0501008ML
	ISO DN10 (34,00)	50,00	14,00	40,00	1.4404	0406D0501010ML
	ISO DN15 (34,00)	50,00	18,10	40,00	1.4404	0406D0501015ML
	ISO DN20 (50,50)	50,00	23,70	40,00	1.4404	0406D0501020ML
	ISO DN25 (50,50)	50,00	29,70	40,00	1.4404	0406D0501025ML
	ISO DN32 (50,50)	50,00	38,40	40,00	1.4404	0406D0501032ML
	ISO DN40 (50,50)	50,00	44,30	40,00	1.4404	0406D0501040ML



ISO 1127

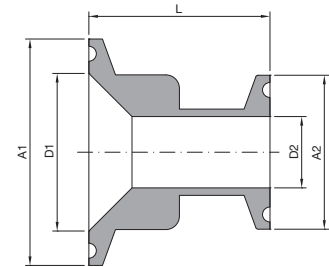
Ø A1	Ø A2	Ø D1	Ø D2	L	Material	Code
DN10 (34,00)	ISO DN8 (34,00)	14,00	10,30	40,00	1.4404	0406I0101008ML
	ASTM A270 1/2" (25,00)	14,00	9,40	40,00	1.4404	0406I0100050ML
	ASTM A270 3/4" (25,00)	14,00	15,75	40,00	1.4404	0406I0100075ML
	DIN DN10 (34,00)	14,00	10,00	40,00	1.4404	0406I010D010ML
DN15 (34,00)	ISO DN8 (34,00)	18,10	10,30	40,00	1.4404	0406I0151008ML
	ISO DN10 (34,00)	18,10	14,00	40,00	1.4404	0406I0151010ML
	ASTM A270 1/2" (25,00)	18,10	9,40	40,00	1.4404	0406I0150050ML
	ASTM A270 3/4" (25,00)	18,10	15,75	40,00	1.4404	0406I0150075ML
	DIN DN10 (34,00)	18,10	10,00	40,00	1.4404	0406I015D010ML
	DIN DN15 (34,00)	18,10	16,00	40,00	1.4404	0406I015D015ML
DN20 (50,50)	ISO DN8 (34,00)	23,70	10,30	40,00	1.4404	0406I0201008ML
	ISO DN10 (34,00)	23,70	14,00	40,00	1.4404	0406I0201010ML
	ISO DN15 (34,00)	23,70	18,10	40,00	1.4404	0406I0201015ML
	ASTM A270 1/2" (25,00)	23,70	9,40	40,00	1.4404	0406I0200050ML
	ASTM A270 3/4" (25,00)	23,70	15,75	40,00	1.4404	0406I0200075ML
	ASTM A270 1" (50,50)	23,70	22,10	40,00	1.4404	0406I0200100ML
	DIN DN10 (34,00)	23,70	10,00	40,00	1.4404	0406I020D010ML
	DIN DN15 (34,00)	23,70	16,00	40,00	1.4404	0406I020D015ML
	DIN DN20 (34,00)	23,70	20,00	40,00	1.4404	0406I020D020ML





ISO 1127

Ø A1	Ø A2	Ø D1	Ø D2	L	Material	Code
DN25 (50,50)	ISO DN8 (34,00)	29,70	10,30	40,00	1.4404	0406I025I008ML
	ISO DN10 (34,00)	29,70	14,00	40,00	1.4404	0406I025I010ML
	ISO DN15 (34,00)	29,70	18,10	40,00	1.4404	0406I025I015ML
	ISO DN20 (50,50)	29,70	23,70	40,00	1.4404	0406I025I020ML
	ASTM A270 1/2" (25,00)	29,70	9,40	40,00	1.4404	0406I0250050ML
	ASTM A270 3/4" (25,00)	29,70	15,75	40,00	1.4404	0406I0250075ML
	ASTM A270 1" (50,50)	29,70	22,10	40,00	1.4404	0406I0250100ML
	DIN DN10 (34,00)	29,70	10,00	40,00	1.4404	0406I025D010ML
	DIN DN15 (34,00)	29,70	16,00	40,00	1.4404	0406I025D015ML
	DIN DN20 (34,00)	29,70	20,00	40,00	1.4404	0406I025D020ML
DIN DN25 (50,50)	29,70	26,00	40,00	1.4404	0406I025D025ML	
DN32 (50,50)	ISO DN8 (34,00)	38,40	10,30	40,00	1.4404	0406I032I008ML
	ISO DN10 (34,00)	38,40	14,00	40,00	1.4404	0406I032I010ML
	ISO DN15 (34,00)	38,40	18,10	40,00	1.4404	0406I032I015ML
	ISO DN20 (50,50)	38,40	23,70	40,00	1.4404	0406I032I020ML
	ISO DN25 (50,50)	38,40	29,70	40,00	1.4404	0406I032I025ML
	ASTM A270 1/2" (25,00)	38,40	9,40	40,00	1.4404	0406I0320050ML
	ASTM A270 3/4" (25,00)	38,40	15,75	40,00	1.4404	0406I0320075ML
	ASTM A270 1" (50,50)	38,40	22,10	40,00	1.4404	0406I0320100ML
	ASTM A270 1.1/2" (50,50)	38,40	34,80	40,00	1.4404	0406I0320150ML
	DIN DN10 (34,00)	38,40	10,00	40,00	1.4404	0406I032D010ML
	DIN DN15 (34,00)	38,40	16,00	40,00	1.4404	0406I032D015ML
	DIN DN20 (34,00)	38,40	20,00	40,00	1.4404	0406I032D020ML
	DIN DN25 (50,50)	38,40	26,00	40,00	1.4404	0406I032D025ML
DIN DN32 (50,50)	38,40	32,00	40,00	1.4404	0406I032D032ML	
DN40 (64,00)	ISO DN8 (34,00)	44,30	10,30	40,00	1.4404	0406I040I008ML
	ISO DN10 (34,00)	44,30	14,00	40,00	1.4404	0406I040I010ML
	ISO DN15 (34,00)	44,30	18,10	40,00	1.4404	0406I040I015ML
	ISO DN20 (50,50)	44,30	23,70	40,00	1.4404	0406I040I020ML
	ISO DN25 (50,50)	44,30	29,70	40,00	1.4404	0406I040I025ML
	ISO DN32 (50,50)	44,30	38,40	40,00	1.4404	0406I040I032ML
	ASTM A270 1/2" (25,00)	44,30	9,40	40,00	1.4404	0406I0400050ML
	ASTM A270 3/4" (25,00)	44,30	15,75	40,00	1.4404	0406I0400075ML
	ASTM A270 1" (50,50)	44,30	22,10	40,00	1.4404	0406I0400100ML
	ASTM A270 1.1/2" (50,50)	44,30	34,80	40,00	1.4404	0406I0400150ML
	DIN DN10 (34,00)	44,30	10,00	40,00	1.4404	0406I040D010ML
	DIN DN15 (34,00)	44,30	16,00	40,00	1.4404	0406I040D015ML
	DIN DN20 (34,00)	44,30	20,00	40,00	1.4404	0406I040D020ML
	DIN DN25 (50,50)	44,30	26,00	40,00	1.4404	0406I040D025ML
	DIN DN32 (50,50)	44,30	32,00	40,00	1.4404	0406I040D032ML
	DIN DN40 (50,50)	44,30	38,00	40,00	1.4404	0406I040D040ML



026

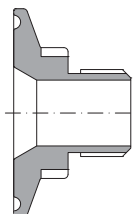
ART.

TRI-CLAMP FITTINGS



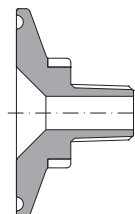
TRI-CLAMP MALE ADAPTOR

BSPP MALE THREADED



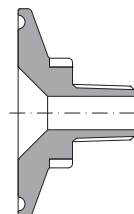
ART. 026/A
P. 095

BSPT MALE THREADED



ART. 026/B
P. 098

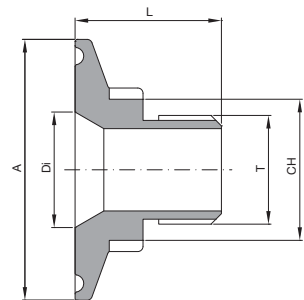
NPT MALE THREADED



ART. 026/C
P. 101

ASTM A270 Flange design According to ASME-BPE

Size	T	Ø A	Ø Di	CH	L	Material	Code
1/2"	1/8"	25,00	9,40	22,00	28,00	1.4404	026A600500012ML
	1/4"	25,00	9,40	22,00	28,00	1.4404	026A600500025ML
	3/8"	25,00	9,40	22,00	30,00	1.4404	026A600500037ML
	1/2"	25,00	9,40	22,00	35,00	1.4404	026A600500050ML
	3/4"	25,00	9,40	32,00	40,00	1.4404	026A600500075ML
	1"	25,00	9,40	36,00	40,00	1.4404	026A600500100ML
3/4"	1/8"	25,00	15,75	22,00	28,00	1.4404	026A600750012ML
	1/4"	25,00	15,75	22,00	28,00	1.4404	026A600750025ML
	3/8"	25,00	15,75	22,00	30,00	1.4404	026A600750037ML
	1/2"	25,00	15,75	22,00	35,00	1.4404	026A600750050ML
	3/4"	25,00	15,75	32,00	40,00	1.4404	026A600750075ML
	1"	25,00	15,75	36,00	40,00	1.4404	026A600750100ML
1"	1/8"	50,50	22,10	22,00	28,00	1.4404	026A601000012ML
	1/4"	50,50	22,10	22,00	28,00	1.4404	026A601000025ML
	3/8"	50,50	22,10	24,00	28,00	1.4404	026A601000037ML
	1/2"	50,50	22,10	27,00	28,00	1.4404	026A601000050ML
	3/4"	50,50	22,10	32,00	28,00	1.4404	026A601000075ML
	1"	50,50	22,10	36,00	28,00	1.4404	026A601000100ML
1.1/2"	1/8"	50,50	34,80	22,00	28,00	1.4404	026A601500012ML
	1/4"	50,50	34,80	22,00	28,00	1.4404	026A601500025ML
	3/8"	50,50	34,80	24,00	28,00	1.4404	026A601500037ML
	1/2"	50,50	34,80	27,00	28,00	1.4404	026A601500050ML
	3/4"	50,50	34,80	32,00	28,00	1.4404	026A601500075ML
	1"	50,50	34,80	36,00	28,00	1.4404	026A601500100ML
	1.1/4"	50,50	34,80	46,00	45,00	1.4404	026A601500125ML
	1.1/2"	50,50	34,80	46,00	45,00	1.4404	026A601500150ML
2"	1/8"	64,00	47,50	22,00	32,00	1.4404	026A602000012ML
	1/4"	64,00	47,50	22,00	32,00	1.4404	026A602000025ML
	3/8"	64,00	47,50	24,00	32,00	1.4404	026A602000037ML
	1/2"	64,00	47,50	27,00	32,00	1.4404	026A602000050ML
	3/4"	64,00	47,50	32,00	32,00	1.4404	026A602000075ML
	1"	64,00	47,50	41,00	32,00	1.4404	026A602000100ML
	1.1/4"	64,00	47,50	50,00	40,00	1.4404	026A602000125ML
	1.1/2"	64,00	47,50	54,00	40,00	1.4404	026A602000150ML
2"	64,00	47,50	65,00	40,00	1.4404	026A602000200ML	
2.1/2"	1.1/4"	77,40	60,20	50,00	37,00	1.4404	026A602500125ML
	1.1/2"	77,40	60,20	54,00	37,00	1.4404	026A602500150ML
	2"	77,40	60,20	65,00	47,00	1.4404	026A602500200ML
	2.1/2"	77,40	60,20	84,00	62,00	1.4404	026A602500250ML
3"	2"	90,90	72,90	65,00	47,00	1.4404	026A603000200ML
	2.1/2"	90,90	72,90	84,00	62,00	1.4404	026A603000250ML
	3"	90,90	72,90	95,00	75,00	1.4404	026A603000300ML
4"	2.1/2"	118,90	97,40	84,00	55,00	1.4404	026A604000250ML
	3"	118,90	97,40	95,00	70,00	1.4404	026A604000300ML
	4"	118,90	97,40	114,00	70,00	1.4404	026A604000400ML

**ML**Int. finishing: $Ra \leq 0,4 \mu\text{m}$ Machined FinishExt. finishing: $Ra \leq 0,8 \mu\text{m}$ Mirror Polished

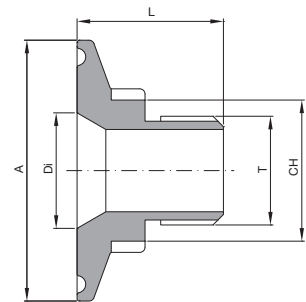
DIN 32676

Size	T	Ø A	Ø Di	CH	L	Material	Code
DN 10	1/8"	34,00	10,00	19,00	28,00	1.4404	026A6D0100012ML
	1/4"	34,00	10,00	19,00	28,00	1.4404	026A6D0100025ML
	3/8"	34,00	10,00	30,00	40,00	1.4404	026A6D0100037ML
	1/2"	34,00	10,00	30,00	40,00	1.4404	026A6D0100050ML
	3/4"	34,00	10,00	30,00	40,00	1.4404	026A6D0100075ML
	1"	34,00	10,00	36,00	40,00	1.4404	026A6D0100100ML
DN 15	1/8"	34,00	16,00	19,00	28,00	1.4404	026A6D0150012ML
	1/4"	34,00	16,00	19,00	28,00	1.4404	026A6D0150025ML
	3/8"	34,00	16,00	30,00	40,00	1.4404	026A6D0150037ML
	1/2"	34,00	16,00	30,00	40,00	1.4404	026A6D0150050ML
	3/4"	34,00	16,00	30,00	40,00	1.4404	026A6D0150075ML
	1"	34,00	16,00	36,00	40,00	1.4404	026A6D0150100ML
DN 20	1/8"	34,00	20,00	19,00	28,00	1.4404	026A6D0200012ML
	1/4"	34,00	20,00	19,00	28,00	1.4404	026A6D0200025ML
	3/8"	34,00	20,00	30,00	40,00	1.4404	026A6D0200037ML
	1/2"	34,00	20,00	30,00	40,00	1.4404	026A6D0200050ML
	3/4"	34,00	20,00	30,00	40,00	1.4404	026A6D0200075ML
	1"	34,00	20,00	36,00	40,00	1.4404	026A6D0200100ML
DN 25	1/8"	50,50	26,00	22,00	28,00	1.4404	026A6D0250012ML
	1/4"	50,50	26,00	22,00	28,00	1.4404	026A6D0250025ML
	3/8"	50,50	26,00	24,00	28,00	1.4404	026A6D0250037ML
	1/2"	50,50	26,00	27,00	28,00	1.4404	026A6D0250050ML
	3/4"	50,50	26,00	32,00	28,00	1.4404	026A6D0250075ML
	1"	50,50	26,00	36,00	28,00	1.4404	026A6D0250100ML
DN 32	1/8"	50,50	32,00	22,00	28,00	1.4404	026A6D0320012ML
	1/4"	50,50	32,00	22,00	28,00	1.4404	026A6D0320025ML
	3/8"	50,50	32,00	24,00	28,00	1.4404	026A6D0320037ML
	1/2"	50,50	32,00	27,00	28,00	1.4404	026A6D0320050ML
	3/4"	50,50	32,00	32,00	28,00	1.4404	026A6D0320075ML
	1"	50,50	32,00	36,00	28,00	1.4404	026A6D0320100ML
	1.1/4"	50,50	32,00	46,00	45,00	1.4404	026A6D0320125ML
	1.1/2"	50,50	32,00	46,00	45,00	1.4404	026A6D0320150ML
DN 40	1/8"	50,50	38,00	22,00	28,00	1.4404	026A6D0400012ML
	1/4"	50,50	38,00	22,00	28,00	1.4404	026A6D0400025ML
	3/8"	50,50	38,00	24,00	28,00	1.4404	026A6D0400037ML
	1/2"	50,50	38,00	27,00	28,00	1.4404	026A6D0400050ML
	3/4"	50,50	38,00	32,00	28,00	1.4404	026A6D0400075ML
	1"	50,50	38,00	36,00	28,00	1.4404	026A6D0400100ML
	1.1/4"	50,50	38,00	46,00	45,00	1.4404	026A6D0400125ML
	1.1/2"	50,50	38,00	46,00	45,00	1.4404	026A6D0400150ML
DN 50	1/8"	64,00	50,00	22,00	32,00	1.4404	026A6D0500012ML
	1/4"	64,00	50,00	22,00	32,00	1.4404	026A6D0500025ML
	3/8"	64,00	50,00	24,00	32,00	1.4404	026A6D0500037ML
	1/2"	64,00	50,00	27,00	32,00	1.4404	026A6D0500050ML
	3/4"	64,00	50,00	32,00	32,00	1.4404	026A6D0500075ML
	1"	64,00	50,00	41,00	32,00	1.4404	026A6D0500100ML
	1.1/4"	64,00	50,00	50,00	40,00	1.4404	026A6D0500125ML
	1.1/2"	64,00	50,00	54,00	40,00	1.4404	026A6D0500150ML
2"	64,00	50,00	65,00	40,00	1.4404	026A6D0500200ML	



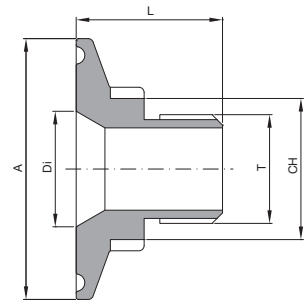
ML

Int. finishing: $Ra \leq 0,4 \mu\text{m}$ Machined Finish
 Ext. finishing: $Ra \leq 0,8 \mu\text{m}$ Mirror Polished



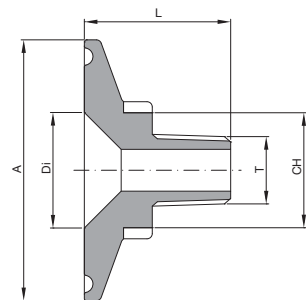
ISO 1127

Size	T	Ø A	Ø Di	CH	L	Material	Code
DN 8	1/8"	34,00	10,30	19,00	28,00	1.4404	026A6I0080012ML
	1/4"	34,00	10,30	19,00	28,00	1.4404	026A6I0080025ML
	3/8"	34,00	10,30	30,00	40,00	1.4404	026A6I0080037ML
	1/2"	34,00	10,30	30,00	40,00	1.4404	026A6I0080050ML
	3/4"	34,00	10,30	30,00	40,00	1.4404	026A6I0080075ML
	1"	34,00	10,30	36,00	40,00	1.4404	026A6I0080100ML
DN 10	1/8"	34,00	14,00	19,00	28,00	1.4404	026A6I0100012ML
	1/4"	34,00	14,00	19,00	28,00	1.4404	026A6I0100025ML
	3/8"	34,00	14,00	30,00	40,00	1.4404	026A6I0100037ML
	1/2"	34,00	14,00	30,00	40,00	1.4404	026A6I0100050ML
	3/4"	34,00	14,00	30,00	40,00	1.4404	026A6I0100075ML
	1"	34,00	14,00	36,00	40,00	1.4404	026A6I0100100ML
DN 15	1/8"	34,00	18,10	19,00	28,00	1.4404	026A6I0150012ML
	1/4"	34,00	18,10	19,00	28,00	1.4404	026A6I0150025ML
	3/8"	34,00	18,10	30,00	40,00	1.4404	026A6I0150037ML
	1/2"	34,00	18,10	30,00	40,00	1.4404	026A6I0150050ML
	3/4"	34,00	18,10	30,00	40,00	1.4404	026A6I0150075ML
	1"	34,00	18,10	36,00	40,00	1.4404	026A6I0150100ML
DN 20	1/8"	34,00	20,00	19,00	28,00	1.4404	026A6I0200012ML
	1/4"	34,00	20,00	19,00	28,00	1.4404	026A6I0200025ML
	3/8"	34,00	20,00	30,00	40,00	1.4404	026A6I0200037ML
	1/2"	34,00	20,00	30,00	40,00	1.4404	026A6I0200050ML
	3/4"	34,00	20,00	30,00	40,00	1.4404	026A6I0200075ML
	1"	34,00	20,00	36,00	40,00	1.4404	026A6I0200100ML
DN 25	1/8"	50,50	29,70	22,00	28,00	1.4404	026A6I0250012ML
	1/4"	50,50	29,70	22,00	28,00	1.4404	026A6I0250025ML
	3/8"	50,50	29,70	24,00	28,00	1.4404	026A6I0250037ML
	1/2"	50,50	29,70	27,00	28,00	1.4404	026A6I0250050ML
	3/4"	50,50	29,70	32,00	28,00	1.4404	026A6I0250075ML
	1"	50,50	29,70	36,00	28,00	1.4404	026A6I0250100ML
	1.1/4"	50,50	29,70	46,00	45,00	1.4404	026A6I0250125ML
	1.1/2"	50,50	29,70	46,00	45,00	1.4404	026A6I0250150ML
DN 32	1/8"	50,50	38,40	22,00	28,00	1.4404	026A6I0320012ML
	1/4"	50,50	38,40	22,00	28,00	1.4404	026A6I0320025ML
	3/8"	50,50	38,40	24,00	28,00	1.4404	026A6I0320037ML
	1/2"	50,50	38,40	27,00	28,00	1.4404	026A6I0320050ML
	3/4"	50,50	38,40	32,00	28,00	1.4404	026A6I0320075ML
	1"	50,50	38,40	36,00	28,00	1.4404	026A6I0320100ML
	1.1/4"	50,50	38,40	46,00	45,00	1.4404	026A6I0320125ML
	1.1/2"	50,50	38,40	46,00	45,00	1.4404	026A6I0320150ML
	DN 40	1/8"	64,00	44,30	22,00	32,00	1.4404
1/4"		64,00	44,30	22,00	32,00	1.4404	026A6I0400025ML
3/8"		64,00	44,30	24,00	32,00	1.4404	026A6I0400037ML
1/2"		64,00	44,30	27,00	32,00	1.4404	026A6I0400050ML
3/4"		64,00	44,30	32,00	32,00	1.4404	026A6I0400075ML
1"		64,00	44,30	41,00	32,00	1.4404	026A6I0400100ML
1.1/4"		64,00	44,30	50,00	40,00	1.4404	026A6I0400125ML
1.1/2"		64,00	44,30	54,00	40,00	1.4404	026A6I0400150ML
2"		64,00	44,30	65,00	40,00	1.4404	026A6I0400200ML

**ML**Int. finishing: $Ra \leq 0,4 \mu\text{m}$ Machined FinishExt. finishing: $Ra \leq 0,8 \mu\text{m}$ Mirror Polished

ASTM A270 Flange design According to ASME-BPE

Size	T	Ø A	Ø Di	CH	L	Material	Code
1/2"	1/8"	25,00	9,40	22,00	30,00	1.4404	026B600500012ML
	1/4"	25,00	9,40	22,00	30,00	1.4404	026B600500025ML
	3/8"	25,00	9,40	22,00	30,00	1.4404	026B600500037ML
	1/2"	25,00	9,40	22,00	38,00	1.4404	026B600500050ML
3/4"	1/8"	25,00	15,75	22,00	30,00	1.4404	026B600750012ML
	1/4"	25,00	15,75	22,00	30,00	1.4404	026B600750025ML
	3/8"	25,00	15,75	22,00	30,00	1.4404	026B600750037ML
	1/2"	25,00	15,75	22,00	38,00	1.4404	026B600750050ML
1"	1/8"	50,50	22,10	22,00	28,00	1.4404	026B601000012ML
	1/4"	50,50	22,10	22,00	28,00	1.4404	026B601000025ML
	3/8"	50,50	22,10	24,00	28,00	1.4404	026B601000037ML
	1/2"	50,50	22,10	27,00	31,00	1.4404	026B601000050ML
	3/4"	50,50	22,10	32,00	31,00	1.4404	026B601000075ML
	1"	50,50	22,10	36,00	34,00	1.4404	026B601000100ML
1.1/2"	1/8"	50,50	34,80	22,00	28,00	1.4404	026B601500012ML
	1/4"	50,50	34,80	22,00	28,00	1.4404	026B601500025ML
	3/8"	50,50	34,80	24,00	28,00	1.4404	026B601500037ML
	1/2"	50,50	34,80	27,00	31,00	1.4404	026B601500050ML
	3/4"	50,50	34,80	32,00	31,00	1.4404	026B601500075ML
	1"	50,50	34,80	36,00	34,00	1.4404	026B601500100ML
	1.1/4"	50,50	34,80	46,00	45,00	1.4404	026B601500125ML
2"	1/8"	64,00	47,50	22,00	30,00	1.4404	026B602000012ML
	1/4"	64,00	47,50	22,00	30,00	1.4404	026B602000025ML
	3/8"	64,00	47,50	24,00	30,00	1.4404	026B602000037ML
	1/2"	64,00	47,50	27,00	35,00	1.4404	026B602000050ML
	3/4"	64,00	47,50	32,00	35,00	1.4404	026B602000075ML
	1"	64,00	47,50	36,00	40,00	1.4404	026B602000100ML
	1.1/4"	64,00	47,50	50,00	40,00	1.4404	026B602000125ML
	1.1/2"	64,00	47,50	47,00	40,00	1.4404	026B602000150ML
2.1/2"	1/8"	77,40	60,20	22,00	37,00	1.4404	026B602500012ML
	1/4"	77,40	60,20	22,00	37,00	1.4404	026B602500025ML
	3/8"	77,40	60,20	24,00	37,00	1.4404	026B602500037ML
	1/2"	77,40	60,20	27,00	40,00	1.4404	026B602500050ML
	3/4"	77,40	60,20	32,00	40,00	1.4404	026B602500075ML
	1"	77,40	60,20	36,00	42,00	1.4404	026B602500100ML
	1.1/4"	77,40	60,20	46,00	42,00	1.4404	026B602500125ML
	1.1/2"	77,40	60,20	47,00	42,00	1.4404	026B602500150ML

**ML**Int. finishing: $Ra \leq 0,4 \mu\text{m}$ Machined FinishExt. finishing: $Ra \leq 0,8 \mu\text{m}$ Mirror Polished

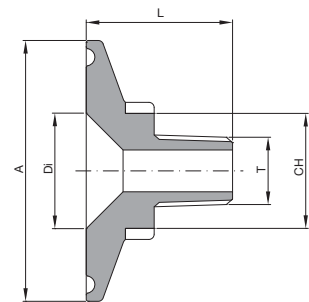
DIN 32676

Size	T	Ø A	Ø Di	CH	L	Material	Code
DN 10	1/8"	34,00	10,00	19,00	30,00	1.4404	026B6D0100012ML
	1/4"	34,00	10,00	19,00	30,00	1.4404	026B6D0100025ML
	3/8"	34,00	10,00	30,00	43,00	1.4404	026B6D0100037ML
	1/2"	34,00	10,00	30,00	43,00	1.4404	026B6D0100050ML
DN 15	1/8"	34,00	16,00	19,00	30,00	1.4404	026B6D0150012ML
	1/4"	34,00	16,00	19,00	30,00	1.4404	026B6D0150025ML
	3/8"	34,00	16,00	30,00	40,00	1.4404	026B6D0150037ML
	1/2"	34,00	16,00	30,00	43,00	1.4404	026B6D0150050ML
DN 20	1/8"	34,00	20,00	19,00	30,00	1.4404	026B6D0200012ML
	1/4"	34,00	20,00	19,00	30,00	1.4404	026B6D0200025ML
	3/8"	34,00	20,00	30,00	40,00	1.4404	026B6D0200037ML
	1/2"	34,00	20,00	30,00	43,00	1.4404	026B6D0200050ML
DN 25	1/8"	50,50	26,00	22,00	28,00	1.4404	026B6D0250012ML
	1/4"	50,50	26,00	22,00	28,00	1.4404	026B6D0250025ML
	3/8"	50,50	26,00	24,00	28,00	1.4404	026B6D0250037ML
	1/2"	50,50	26,00	27,00	31,00	1.4404	026B6D0250050ML
	3/4"	50,50	26,00	32,00	31,00	1.4404	026B6D0250075ML
	1"	50,50	26,00	36,00	34,00	1.4404	026B6D0250100ML
DN 32	1/8"	50,50	32,00	22,00	28,00	1.4404	026B6D0320012ML
	1/4"	50,50	32,00	22,00	28,00	1.4404	026B6D0320025ML
	3/8"	50,50	32,00	24,00	28,00	1.4404	026B6D0320037ML
	1/2"	50,50	32,00	27,00	31,00	1.4404	026B6D0320050ML
	3/4"	50,50	32,00	32,00	31,00	1.4404	026B6D0320075ML
	1"	50,50	32,00	36,00	34,00	1.4404	026B6D0320100ML
	1.1/4"	50,50	32,00	46,00	45,00	1.4404	026B6D0320125ML
	1.1/4"	50,50	32,00	46,00	45,00	1.4404	026B6D0320125ML
DN 40	1/8"	50,50	38,00	22,00	28,00	1.4404	026B6D0400012ML
	1/4"	50,50	38,00	22,00	28,00	1.4404	026B6D0400025ML
	3/8"	50,50	38,00	24,00	28,00	1.4404	026B6D0400037ML
	1/2"	50,50	38,00	27,00	31,00	1.4404	026B6D0400050ML
	3/4"	50,50	38,00	32,00	31,00	1.4404	026B6D0400075ML
	1"	50,50	38,00	36,00	34,00	1.4404	026B6D0400100ML
	1.1/4"	50,50	38,00	46,00	45,00	1.4404	026B6D0400125ML
	1.1/4"	50,50	38,00	46,00	45,00	1.4404	026B6D0400125ML
DN 50	1/8"	64,00	50,00	22,00	30,00	1.4404	026B6D0500012ML
	1/4"	64,00	50,00	22,00	30,00	1.4404	026B6D0500025ML
	3/8"	64,00	50,00	24,00	30,00	1.4404	026B6D0500037ML
	1/2"	64,00	50,00	27,00	35,00	1.4404	026B6D0500050ML
	3/4"	64,00	50,00	32,00	35,00	1.4404	026B6D0500075ML
	1"	64,00	50,00	36,00	40,00	1.4404	026B6D0500100ML
	1.1/4"	64,00	50,00	50,00	40,00	1.4404	026B6D0500125ML
	1.1/4"	64,00	50,00	50,00	40,00	1.4404	026B6D0500125ML
	1.1/2"	64,00	50,00	47,00	40,00	1.4404	026B6D0500150ML



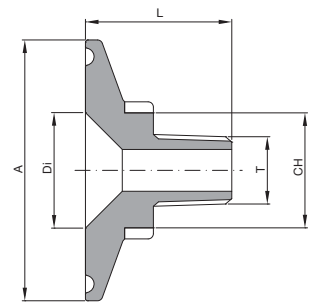
ML

Int. finishing: $Ra \leq 0,4 \mu\text{m}$ Machined Finish
 Ext. finishing: $Ra \leq 0,8 \mu\text{m}$ Mirror Polished



ISO 1127

Size	T	Ø A	Ø Di	CH	L	Material	Code
DN 8	1/8"	34,00	10,30	19,00	30,00	1.4404	026B6I0080012ML
	1/4"	34,00	10,30	19,00	30,00	1.4404	026B6I0080025ML
	3/8"	34,00	10,30	30,00	40,00	1.4404	026B6I0080037ML
	1/2"	34,00	10,30	30,00	43,00	1.4404	026B6I0080050ML
DN 10	1/8"	34,00	14,00	19,00	30,00	1.4404	026B6I0100012ML
	1/4"	34,00	14,00	19,00	30,00	1.4404	026B6I0100025ML
	3/8"	34,00	14,00	30,00	40,00	1.4404	026B6I0100037ML
	1/2"	34,00	14,00	30,00	43,00	1.4404	026B6I0100050ML
DN 15	1/8"	34,00	18,10	19,00	30,00	1.4404	026B6I0150012ML
	1/4"	34,00	18,10	19,00	30,00	1.4404	026B6I0150025ML
	3/8"	34,00	18,10	30,00	40,00	1.4404	026B6I0150037ML
	1/2"	34,00	18,10	30,00	43,00	1.4404	026B6I0150050ML
DN 20	1/8"	50,50	23,70	22,00	28,00	1.4404	026B6I0200012ML
	1/4"	50,50	23,70	22,00	28,00	1.4404	026B6I0200025ML
	3/8"	50,50	23,70	24,00	28,00	1.4404	026B6I0200037ML
	1/2"	50,50	23,70	27,00	31,00	1.4404	026B6I0200050ML
	3/4"	50,50	23,70	32,00	31,00	1.4404	026B6I0200075ML
	1"	50,50	23,70	36,00	34,00	1.4404	026B6I0200100ML
DN 25	1/8"	50,50	29,70	22,00	28,00	1.4404	026B6I0250012ML
	1/4"	50,50	29,70	22,00	28,00	1.4404	026B6I0250025ML
	3/8"	50,50	29,70	24,00	28,00	1.4404	026B6I0250037ML
	1/2"	50,50	29,70	27,00	31,00	1.4404	026B6I0250050ML
	3/4"	50,50	29,70	32,00	31,00	1.4404	026B6I0250075ML
	1"	50,50	29,70	36,00	34,00	1.4404	026B6I0250100ML
	1.1/4"	50,50	29,70	46,00	45,00	1.4404	026B6I0250125ML
	1.1/2"	50,50	29,70	47,00	45,00	1.4404	026B6I0250150ML
DN 32	1/8"	50,50	38,40	22,00	28,00	1.4404	026B6I0320012ML
	1/4"	50,50	38,40	22,00	28,00	1.4404	026B6I0320025ML
	3/8"	50,50	38,40	24,00	28,00	1.4404	026B6I0320037ML
	1/2"	50,50	38,40	27,00	31,00	1.4404	026B6I0320050ML
	3/4"	50,50	38,40	32,00	31,00	1.4404	026B6I0320075ML
	1"	50,50	38,40	36,00	34,00	1.4404	026B6I0320100ML
	1.1/4"	50,50	38,40	46,00	45,00	1.4404	026B6I0320125ML
	1.1/2"	50,50	38,40	47,00	45,00	1.4404	026B6I0320150ML
DN 40	1/8"	64,00	44,30	22,00	30,00	1.4404	026B6I0400012ML
	1/4"	64,00	44,30	22,00	30,00	1.4404	026B6I0400025ML
	3/8"	64,00	44,30	24,00	30,00	1.4404	026B6I0400037ML
	1/2"	64,00	44,30	27,00	35,00	1.4404	026B6I0400050ML
	3/4"	64,00	44,30	32,00	35,00	1.4404	026B6I0400075ML
	1"	64,00	44,30	36,00	40,00	1.4404	026B6I0400100ML
	1.1/4"	64,00	44,30	50,00	40,00	1.4404	026B6I0400125ML
	1.1/2"	64,00	44,30	47,00	40,00	1.4404	026B6I0400150ML

**ML**Int. finishing: $Ra \leq 0,4 \mu\text{m}$ Machined FinishExt. finishing: $Ra \leq 0,8 \mu\text{m}$ Mirror Polished

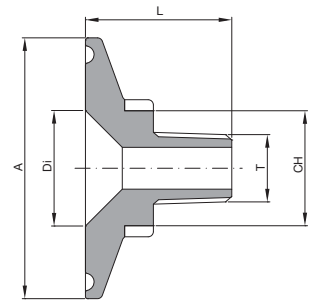


ASTM A270 Flange design According to ASME-BPE

Size	T	Ø A	Ø Di	CH	L	Material	Code
1/2"	1/8"	25,00	9,40	22,00	30,00	1.4404	026C600500012ML
	1/4"	25,00	9,40	22,00	30,00	1.4404	026C600500025ML
	3/8"	25,00	9,40	22,00	30,00	1.4404	026C600500037ML
	1/2"	25,00	9,40	22,00	38,00	1.4404	026C600500050ML
3/4"	1/8"	25,00	15,75	22,00	30,00	1.4404	026C600750012ML
	1/4"	25,00	15,75	22,00	30,00	1.4404	026C600750025ML
	3/8"	25,00	15,75	22,00	30,00	1.4404	026C600750037ML
	1/2"	25,00	15,75	22,00	38,00	1.4404	026C600750050ML
1"	1/8"	50,50	22,10	22,00	28,00	1.4404	026C601000012ML
	1/4"	50,50	22,10	22,00	28,00	1.4404	026C601000025ML
	3/8"	50,50	22,10	24,00	28,00	1.4404	026C601000037ML
	1/2"	50,50	22,10	27,00	31,00	1.4404	026C601000050ML
	3/4"	50,50	22,10	32,00	31,00	1.4404	026C601000075ML
	1"	50,50	22,10	36,00	34,00	1.4404	026C601000100ML
1.1/2"	1/8"	50,50	34,80	22,00	28,00	1.4404	026C601500012ML
	1/4"	50,50	34,80	22,00	28,00	1.4404	026C601500025ML
	3/8"	50,50	34,80	24,00	28,00	1.4404	026C601500037ML
	1/2"	50,50	34,80	27,00	31,00	1.4404	026C601500050ML
	3/4"	50,50	34,80	32,00	31,00	1.4404	026C601500075ML
	1"	50,50	34,80	36,00	34,00	1.4404	026C601500100ML
2"	1.1/4"	50,50	34,80	46,00	45,00	1.4404	026C601500125ML
	1/8"	64,00	47,50	22,00	30,00	1.4404	026C602000012ML
	1/4"	64,00	47,50	22,00	30,00	1.4404	026C602000025ML
	3/8"	64,00	47,50	24,00	30,00	1.4404	026C602000037ML
	1/2"	64,00	47,50	27,00	35,00	1.4404	026C602000050ML
	3/4"	64,00	47,50	32,00	35,00	1.4404	026C602000075ML
	1"	64,00	47,50	36,00	40,00	1.4404	026C602000100ML
	1.1/4"	64,00	47,50	50,00	40,00	1.4404	026C602000125ML
2.1/2"	1.1/2"	64,00	47,50	47,00	40,00	1.4404	026C602000150ML
	1/8"	77,40	60,20	22,00	37,00	1.4404	026C602500012ML
	1/4"	77,40	60,20	22,00	37,00	1.4404	026C602500025ML
	3/8"	77,40	60,20	24,00	37,00	1.4404	026C602500037ML
	1/2"	77,40	60,20	27,00	40,00	1.4404	026C602500050ML
	3/4"	77,40	60,20	32,00	40,00	1.4404	026C602500075ML
	1"	77,40	60,20	36,00	42,00	1.4404	026C602500100ML
	1.1/4"	77,40	60,20	46,00	42,00	1.4404	026C602500125ML
1.1/2"	77,40	60,20	47,00	42,00	1.4404	026C602500150ML	

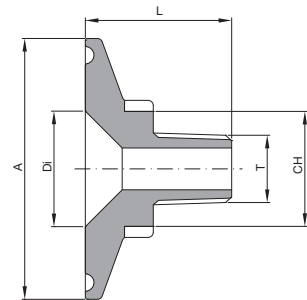
ML

Int. finishing: $Ra \leq 0,4 \mu m$ Machined Finish
Ext. finishing: $Ra \leq 0,8 \mu m$ Mirror Polished



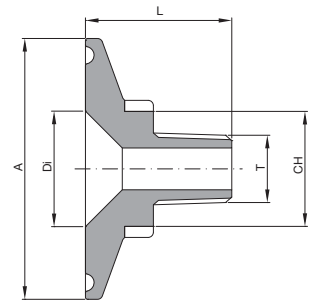
DIN 32676

Size	T	Ø A	Ø Di	CH	L	Material	Code
DN 10	1/8"	34,00	10,00	19,00	30,00	1.4404	026C6D0100012ML
	1/4"	34,00	10,00	19,00	30,00	1.4404	026C6D0100025ML
	3/8"	34,00	10,00	30,00	43,00	1.4404	026C6D0100037ML
	1/2"	34,00	10,00	30,00	43,00	1.4404	026C6D0100050ML
DN 15	1/8"	34,00	16,00	19,00	30,00	1.4404	026C6D0150012ML
	1/4"	34,00	16,00	19,00	30,00	1.4404	026C6D0150025ML
	3/8"	34,00	16,00	30,00	40,00	1.4404	026C6D0150037ML
	1/2"	34,00	16,00	30,00	43,00	1.4404	026C6D0150050ML
DN 20	1/8"	34,00	20,00	19,00	30,00	1.4404	026C6D0200012ML
	1/4"	34,00	20,00	19,00	30,00	1.4404	026C6D0200025ML
	3/8"	34,00	20,00	30,00	40,00	1.4404	026C6D0200037ML
	1/2"	34,00	20,00	30,00	43,00	1.4404	026C6D0200050ML
DN 25	1/8"	50,50	26,00	22,00	28,00	1.4404	026C6D0250012ML
	1/4"	50,50	26,00	22,00	28,00	1.4404	026C6D0250025ML
	3/8"	50,50	26,00	24,00	28,00	1.4404	026C6D0250037ML
	1/2"	50,50	26,00	27,00	31,00	1.4404	026C6D0250050ML
	3/4"	50,50	26,00	32,00	31,00	1.4404	026C6D0250075ML
	1"	50,50	26,00	36,00	34,00	1.4404	026C6D0250100ML
DN 32	1/8"	50,50	32,00	22,00	28,00	1.4404	026C6D0320012ML
	1/4"	50,50	32,00	22,00	28,00	1.4404	026C6D0320025ML
	3/8"	50,50	32,00	24,00	28,00	1.4404	026C6D0320037ML
	1/2"	50,50	32,00	27,00	31,00	1.4404	026C6D0320050ML
	3/4"	50,50	32,00	32,00	31,00	1.4404	026C6D0320075ML
	1"	50,50	32,00	36,00	34,00	1.4404	026C6D0320100ML
	1.1/4"	50,50	32,00	46,00	45,00	1.4404	026C6D0320125ML
	1.1/2"	50,50	32,00	47,00	40,00	1.4404	026C6D0320150ML
DN 40	1/8"	50,50	38,00	22,00	28,00	1.4404	026C6D0400012ML
	1/4"	50,50	38,00	22,00	28,00	1.4404	026C6D0400025ML
	3/8"	50,50	38,00	24,00	28,00	1.4404	026C6D0400037ML
	1/2"	50,50	38,00	27,00	31,00	1.4404	026C6D0400050ML
	3/4"	50,50	38,00	32,00	31,00	1.4404	026C6D0400075ML
	1"	50,50	38,00	36,00	34,00	1.4404	026C6D0400100ML
	1.1/4"	50,50	38,00	46,00	45,00	1.4404	026C6D0400125ML
	1.1/2"	50,50	38,00	47,00	40,00	1.4404	026C6D0400150ML
DN 50	1/8"	64,00	50,00	22,00	30,00	1.4404	026C6D0500012ML
	1/4"	64,00	50,00	22,00	30,00	1.4404	026C6D0500025ML
	3/8"	64,00	50,00	24,00	30,00	1.4404	026C6D0500037ML
	1/2"	64,00	50,00	27,00	35,00	1.4404	026C6D0500050ML
	3/4"	64,00	50,00	32,00	35,00	1.4404	026C6D0500075ML
	1"	64,00	50,00	36,00	40,00	1.4404	026C6D0500100ML
	1.1/4"	64,00	50,00	50,00	40,00	1.4404	026C6D0500125ML
	1.1/2"	64,00	50,00	50,00	40,00	1.4404	026C6D0500150ML
	1.1/2"	64,00	50,00	47,00	40,00	1.4404	026C6D0500150ML

**ML**Int. finishing: $Ra \leq 0,4 \mu\text{m}$ Machined FinishExt. finishing: $Ra \leq 0,8 \mu\text{m}$ Mirror Polished

ISO 1127

Size	T	Ø A	Ø Di	CH	L	Material	Code
DN 8	1/8"	34,00	10,30	19,00	30,00	1.4404	026C6I0080012ML
	1/4"	34,00	10,30	19,00	30,00	1.4404	026C6I0080025ML
	3/8"	34,00	10,30	30,00	40,00	1.4404	026C6I0080037ML
	1/2"	34,00	10,30	30,00	43,00	1.4404	026C6I0080050ML
DN 10	1/8"	34,00	14,00	19,00	30,00	1.4404	026C6I0100012ML
	1/4"	34,00	14,00	19,00	30,00	1.4404	026C6I0100025ML
	3/8"	34,00	14,00	30,00	40,00	1.4404	026C6I0100037ML
	1/2"	34,00	14,00	30,00	43,00	1.4404	026C6I0100050ML
DN 15	1/8"	34,00	18,10	19,00	30,00	1.4404	026C6I0150012ML
	1/4"	34,00	18,10	19,00	30,00	1.4404	026C6I0150025ML
	3/8"	34,00	18,10	30,00	40,00	1.4404	026C6I0150037ML
	1/2"	34,00	18,10	30,00	43,00	1.4404	026C6I0150050ML
DN 20	1/8"	50,50	23,70	22,00	28,00	1.4404	026C6I0200012ML
	1/4"	50,50	23,70	22,00	28,00	1.4404	026C6I0200025ML
	3/8"	50,50	23,70	24,00	28,00	1.4404	026C6I0200037ML
	1/2"	50,50	23,70	27,00	31,00	1.4404	026C6I0200050ML
	3/4"	50,50	23,70	32,00	31,00	1.4404	026C6I0200075ML
	1"	50,50	23,70	36,00	34,00	1.4404	026C6I0200100ML
DN 25	1/8"	50,50	29,70	22,00	28,00	1.4404	026C6I0250012ML
	1/4"	50,50	29,70	22,00	28,00	1.4404	026C6I0250025ML
	3/8"	50,50	29,70	24,00	28,00	1.4404	026C6I0250037ML
	1/2"	50,50	29,70	27,00	31,00	1.4404	026C6I0250050ML
	3/4"	50,50	29,70	32,00	31,00	1.4404	026C6I0250075ML
	1"	50,50	29,70	36,00	34,00	1.4404	026C6I0250100ML
	1.1/4"	50,50	29,70	46,00	45,00	1.4404	026C6I0250125ML
	1.1/2"	50,50	29,70	46,00	45,00	1.4404	026C6I0250150ML
DN 32	1/8"	50,50	38,40	22,00	28,00	1.4404	026C6I0320012ML
	1/4"	50,50	38,40	22,00	28,00	1.4404	026C6I0320025ML
	3/8"	50,50	38,40	24,00	28,00	1.4404	026C6I0320037ML
	1/2"	50,50	38,40	27,00	31,00	1.4404	026C6I0320050ML
	3/4"	50,50	38,40	32,00	31,00	1.4404	026C6I0320075ML
	1"	50,50	38,40	36,00	34,00	1.4404	026C6I0320100ML
	1.1/4"	50,50	38,40	46,00	45,00	1.4404	026C6I0320125ML
	1.1/2"	50,50	38,40	46,00	45,00	1.4404	026C6I0320150ML
DN 40	1/8"	64,00	44,30	22,00	30,00	1.4404	026C6I0400012ML
	1/4"	64,00	44,30	22,00	30,00	1.4404	026C6I0400025ML
	3/8"	64,00	44,30	24,00	30,00	1.4404	026C6I0400037ML
	1/2"	64,00	44,30	27,00	35,00	1.4404	026C6I0400050ML
	3/4"	64,00	44,30	32,00	35,00	1.4404	026C6I0400075ML
	1"	64,00	44,30	36,00	40,00	1.4404	026C6I0400100ML
	1.1/4"	64,00	44,30	50,00	40,00	1.4404	026C6I0400125ML
	1.1/2"	64,00	44,30	47,00	40,00	1.4404	026C6I0400150ML

**ML**Int. finishing: $Ra \leq 0,4 \mu\text{m}$ Machined FinishExt. finishing: $Ra \leq 0,8 \mu\text{m}$ Mirror Polished

ART. 027

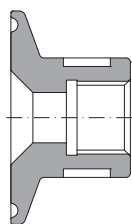
ART.

TRI-CLAMP FITTINGS



TRI-CLAMP FEMALE ADAPTOR

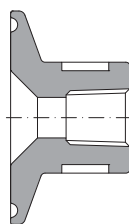
BSPP FEMALE THREADED



ART. 027/A

P. 105

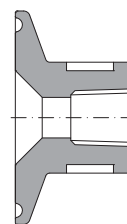
BSPT FEMALE THREADED



ART. 027/B

P. 108

NPT FEMALE THREADED



ART. 027/C

P. 111

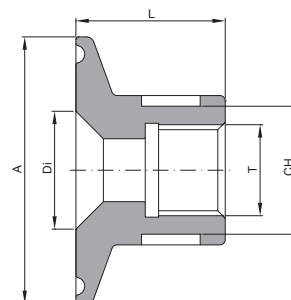


ASTM A270 Flange design According to ASME-BPE

Size	T	Ø A	Ø Di	CH	L	Material	Code
1/2"	1/8"	25,00	9,40	22,00	28,00	1.4404	027A600500012ML
	1/4"	25,00	9,40	22,00	28,00	1.4404	027A600500025ML
	3/8"	25,00	9,40	22,00	28,00	1.4404	027A600500037ML
	1/2"	25,00	9,40	22,00	38,00	1.4404	027A600500050ML
3/4"	1/8"	25,00	15,75	22,00	28,00	1.4404	027A600750012ML
	1/4"	25,00	15,75	22,00	28,00	1.4404	027A600750025ML
	3/8"	25,00	15,75	22,00	28,00	1.4404	027A600750037ML
	1/2"	25,00	15,75	22,00	35,00	1.4404	027A600750050ML
	3/4"	25,00	15,75	32,00	35,00	1.4404	027A600750075ML
	1"	25,00	15,75	37,00	35,00	1.4404	027A600750100ML
1"	1/8"	50,50	22,10	22,00	28,00	1.4404	027A601000012ML
	1/4"	50,50	22,10	22,00	28,00	1.4404	027A601000025ML
	3/8"	50,50	22,10	24,00	28,00	1.4404	027A601000037ML
	1/2"	50,50	22,10	27,00	28,00	1.4404	027A601000050ML
	3/4"	50,50	22,10	31,00	28,00	1.4404	027A601000075ML
	1"	50,50	22,10	36,00	28,00	1.4404	027A601000100ML
1.1/2"	1/8"	50,50	34,80	22,00	28,00	1.4404	027A601500012ML
	1/4"	50,50	34,80	22,00	28,00	1.4404	027A601500025ML
	3/8"	50,50	34,80	24,00	28,00	1.4404	027A601500037ML
	1/2"	50,50	34,80	27,00	28,00	1.4404	027A601500050ML
	3/4"	50,50	34,80	31,00	28,00	1.4404	027A601500075ML
	1"	50,50	34,80	36,00	28,00	1.4404	027A601500100ML
	1.1/4"	50,50	34,80	46,00	35,00	1.4404	027A601500125ML
	1.1/2"	50,50	34,80	55,00	40,00	1.4404	027A601500150ML
2"	1/8"	64,00	47,50	22,00	30,00	1.4404	027A602000012ML
	1/4"	64,00	47,50	22,00	30,00	1.4404	027A602000025ML
	3/8"	64,00	47,50	24,00	30,00	1.4404	027A602000037ML
	1/2"	64,00	47,50	27,00	35,00	1.4404	027A602000050ML
	3/4"	64,00	47,50	31,00	35,00	1.4404	027A602000075ML
	1"	64,00	47,50	47,00	35,00	1.4404	027A602000100ML
	1.1/4"	64,00	47,50	47,00	35,00	1.4404	027A602000125ML
	1.1/2"	64,00	47,50	54,00	35,00	1.4404	027A602000150ML
	2"	64,00	47,50	61,00	45,00	1.4404	027A602000200ML
	2.1/2"	64,00	47,50	84,00	50,00	1.4404	027A602000250ML
2.1/2"	2"	77,40	60,20	65,00	50,00	1.4404	027A602500200ML
	2.1/2"	77,40	60,20	84,00	50,00	1.4404	027A602500250ML
3"	2.1/2"	90,90	72,90	82,00	60,00	1.4404	027A603000250ML
	3"	90,90	72,90	110,00	60,00	1.4404	027A603000300ML
4"	3"	118,90	97,40	110,00	70,00	1.4404	027A604000300ML
	4"	118,90	97,40	120,00	70,00	1.4404	027A604000400ML

ML

Int. finishing: Ra ≤ 0,4 µm Machined Finish
Ext. finishing: Ra ≤ 0,8 µm Mirror Polished



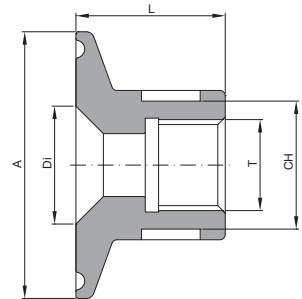
DIN 32676

Size	T	Ø A	Ø Di	CH	L	Material	Code
DN 10	1/8"	34,00	10,00	19,00	28,00	1.4404	027A6D0100012ML
	1/4"	34,00	10,00	19,00	28,00	1.4404	027A6D0100025ML
	3/8"	34,00	10,00	30,00	35,00	1.4404	027A6D0100037ML
	1/2"	34,00	10,00	30,00	35,00	1.4404	027A6D0100050ML
DN 15	1/8"	34,00	16,00	19,00	28,00	1.4404	027A6D0150012ML
	1/4"	34,00	16,00	19,00	28,00	1.4404	027A6D0150025ML
	3/8"	34,00	16,00	30,00	35,00	1.4404	027A6D0150037ML
	1/2"	34,00	16,00	30,00	35,00	1.4404	027A6D0150050ML
	3/4"	34,00	16,00	31,00	35,00	1.4404	027A6D0150075ML
	1"	34,00	16,00	37,00	35,00	1.4404	027A6D0150100ML
DN 20	1/8"	34,00	20,00	19,00	28,00	1.4404	027A6D0200012ML
	1/4"	34,00	20,00	19,00	28,00	1.4404	027A6D0200025ML
	3/8"	34,00	20,00	30,00	35,00	1.4404	027A6D0200037ML
	1/2"	34,00	20,00	30,00	35,00	1.4404	027A6D0200050ML
	3/4"	34,00	20,00	31,00	35,00	1.4404	027A6D0250075ML
	1"	34,00	20,00	37,00	35,00	1.4404	027A6D0250100ML
DN 25	1/8"	50,50	26,00	22,00	28,00	1.4404	027A6D0250012ML
	1/4"	50,50	26,00	22,00	28,00	1.4404	027A6D0250025ML
	3/8"	50,50	26,00	24,00	28,00	1.4404	027A6D0250037ML
	1/2"	50,50	26,00	27,00	28,00	1.4404	027A6D0250050ML
	3/4"	50,50	26,00	31,00	28,00	1.4404	027A6D0250075ML
	1"	50,50	26,00	36,00	28,00	1.4404	027A6D0250100ML
DN 32	1/8"	50,50	32,00	22,00	28,00	1.4404	027A6D0320012ML
	1/4"	50,50	32,00	22,00	28,00	1.4404	027A6D0320025ML
	3/8"	50,50	32,00	24,00	28,00	1.4404	027A6D0320037ML
	1/2"	50,50	32,00	27,00	28,00	1.4404	027A6D0320050ML
	3/4"	50,50	32,00	31,00	28,00	1.4404	027A6D0320075ML
	1"	50,50	32,00	36,00	28,00	1.4404	027A6D0320100ML
DN 40	1/8"	50,50	38,00	22,00	28,00	1.4404	027A6D0400012ML
	1/4"	50,50	38,00	22,00	28,00	1.4404	027A6D0400025ML
	3/8"	50,50	38,00	24,00	28,00	1.4404	027A6D0400037ML
	1/2"	50,50	38,00	27,00	28,00	1.4404	027A6D0400050ML
	3/4"	50,50	38,00	31,00	28,00	1.4404	027A6D0400075ML
	1"	50,50	38,00	36,00	28,00	1.4404	027A6D0400100ML
	1.1/4"	50,50	38,00	46,00	35,00	1.4404	027A6D0400125ML
	1.1/2"	50,50	38,00	55,00	40,00	1.4404	027A6D0400150ML
DN 50	1/8"	64,00	50,00	22,00	30,00	1.4404	027A6D0500012ML
	1/4"	64,00	50,00	22,00	30,00	1.4404	027A6D0500025ML
	3/8"	64,00	50,00	24,00	30,00	1.4404	027A6D0500037ML
	1/2"	64,00	50,00	27,00	35,00	1.4404	027A6D0500050ML
	3/4"	64,00	50,00	31,00	35,00	1.4404	027A6D0500075ML
	1"	64,00	50,00	47,00	35,00	1.4404	027A6D0500100ML
	1.1/4"	64,00	50,00	47,00	35,00	1.4404	027A6D0500125ML
	1.1/2"	64,00	50,00	54,00	35,00	1.4404	027A6D0500150ML
	2"	64,00	50,00	61,00	45,00	1.4404	027A6D0500200ML



ML

Int. finishing: $Ra \leq 0,4 \mu\text{m}$ Machined Finish
 Ext. finishing: $Ra \leq 0,8 \mu\text{m}$ Mirror Polished



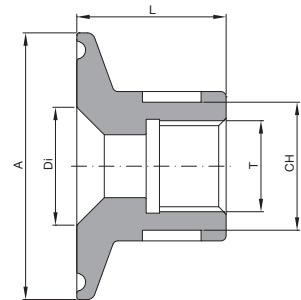
ISO 1127

Size	T	Ø A	Ø Di	CH	L	Material	Code
DN 8	1/8"	34,00	10,30	19,00	28,00	1.4404	027A6I0080012ML
	1/4"	34,00	10,30	19,00	28,00	1.4404	027A6I0080025ML
	3/8"	34,00	10,30	30,00	35,00	1.4404	027A6I0080037ML
	1/2"	34,00	10,30	30,00	35,00	1.4404	027A6I0080050ML
DN 10	1/8"	34,00	14,00	19,00	28,00	1.4404	027A6I0100012ML
	1/4"	34,00	14,00	19,00	28,00	1.4404	027A6I0100025ML
	3/8"	34,00	14,00	30,00	35,00	1.4404	027A6I0100037ML
	1/2"	34,00	14,00	30,00	35,00	1.4404	027A6I0100050ML
	3/4"	34,00	14,00	30,00	35,00	1.4404	027A6I0100075ML
	1"	34,00	14,00	37,00	35,00	1.4404	027A6I0100100ML
DN 15	1/8"	34,00	18,10	19,00	28,00	1.4404	027A6I0150012ML
	1/4"	34,00	18,10	19,00	28,00	1.4404	027A6I0150025ML
	3/8"	34,00	18,10	30,00	35,00	1.4404	027A6I0150037ML
	1/2"	34,00	18,10	30,00	35,00	1.4404	027A6I0150050ML
	3/4"	34,00	18,10	30,00	35,00	1.4404	027A6I0150075ML
	1"	34,00	18,10	37,00	35,00	1.4404	027A6I0150100ML
DN 20	1/8"	50,50	23,70	22,00	28,00	1.4404	027A6I0200012ML
	1/4"	50,50	23,70	22,00	28,00	1.4404	027A6I0200025ML
	3/8"	50,50	23,70	24,00	28,00	1.4404	027A6I0200037ML
	1/2"	50,50	23,70	27,00	28,00	1.4404	027A6I0200050ML
	3/4"	50,50	23,70	31,00	28,00	1.4404	027A6I0200075ML
	1"	50,50	23,70	36,00	28,00	1.4404	027A6I0200100ML
DN 25	1/8"	50,50	29,70	22,00	28,00	1.4404	027A6I0250012ML
	1/4"	50,50	29,70	22,00	28,00	1.4404	027A6I0250025ML
	3/8"	50,50	29,70	24,00	28,00	1.4404	027A6I0250037ML
	1/2"	50,50	29,70	27,00	28,00	1.4404	027A6I0250050ML
	3/4"	50,50	29,70	31,00	28,00	1.4404	027A6I0250075ML
	1"	50,50	29,70	36,00	28,00	1.4404	027A6I0250100ML
DN 32	1/8"	50,50	38,40	22,00	28,00	1.4404	027A6I0320012ML
	1/4"	50,50	38,40	22,00	28,00	1.4404	027A6I0320025ML
	3/8"	50,50	38,40	24,00	28,00	1.4404	027A6I0320037ML
	1/2"	50,50	38,40	27,00	28,00	1.4404	027A6I0320050ML
	3/4"	50,50	38,40	31,00	28,00	1.4404	027A6I0320075ML
	1"	50,50	38,40	36,00	28,00	1.4404	027A6I0320100ML
	1.1/4"	50,50	38,40	46,00	35,00	1.4404	027A6I0320125ML
	1.1/2"	50,50	38,40	55,00	40,00	1.4404	027A6I0320150ML
DN 40	1/8"	64,00	44,30	22,00	30,00	1.4404	027A6I0400012ML
	1/4"	64,00	44,30	22,00	30,00	1.4404	027A6I0400025ML
	3/8"	64,00	44,30	24,00	30,00	1.4404	027A6I0400037ML
	1/2"	64,00	44,30	27,00	35,00	1.4404	027A6I0400050ML
	3/4"	64,00	44,30	31,00	35,00	1.4404	027A6I0400075ML
	1"	64,00	44,30	47,00	35,00	1.4404	027A6I0400100ML
	1.1/4"	64,00	44,30	47,00	35,00	1.4404	027A6I0400125ML
	1.1/2"	64,00	44,30	54,00	35,00	1.4404	027A6I0400150ML
	2"	64,00	44,30	61,00	45,00	1.4404	027A6I0400200ML



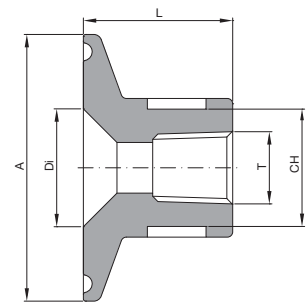
ML

Int. finishing: $Ra \leq 0,4 \mu\text{m}$ Machined Finish
 Ext. finishing: $Ra \leq 0,8 \mu\text{m}$ Mirror Polished



ASTM A270 Flange design According to ASME-BPE

Size	T	Ø A	Ø Di	CH	L	Material	Code
1/2"	1/8"	25,00	9,40	14,00	28,00	1.4404	027B600500012ML
	1/4"	25,00	9,40	22,00	28,00	1.4404	027B600500025ML
	3/8"	25,00	9,40	22,00	28,00	1.4404	027B600500037ML
	1/2"	25,00	9,40	22,00	35,00	1.4404	027B600500050ML
3/4"	1/8"	25,00	15,75	14,00	28,00	1.4404	027B600750012ML
	1/4"	25,00	15,75	22,00	28,00	1.4404	027B600750025ML
	3/8"	25,00	15,75	22,00	28,00	1.4404	027B600750037ML
	1/2"	25,00	15,75	22,00	38,00	1.4404	027B600750050ML
1"	1/8"	50,50	22,10	14,00	28,00	1.4404	027B601000012ML
	1/4"	50,50	22,10	22,00	28,00	1.4404	027B601000025ML
	3/8"	50,50	22,10	24,00	28,00	1.4404	027B601000037ML
	1/2"	50,50	22,10	27,00	28,00	1.4404	027B601000050ML
	3/4"	50,50	22,10	31,00	28,00	1.4404	027B601000075ML
	1"	50,50	22,10	36,00	28,00	1.4404	027B601000100ML
1.1/2"	1/8"	50,50	22,10	14,00	28,00	1.4404	027B601500012ML
	1/4"	50,50	34,80	22,00	28,00	1.4404	027B601500025ML
	3/8"	50,50	34,80	24,00	28,00	1.4404	027B601500037ML
	1/2"	50,50	34,80	27,00	28,00	1.4404	027B601500050ML
	3/4"	50,50	34,80	31,00	28,00	1.4404	027B601500075ML
	1"	50,50	34,80	36,00	28,00	1.4404	027B601500100ML
	1.1/4"	50,50	34,80	46,00	35,00	1.4404	027B601500125ML
	1.1/2"	50,50	34,80	60,00	40,00	1.4404	027B601500150ML
2"	3/4"	64,00	47,50	31,00	30,00	1.4404	027B602000075ML
	1"	64,00	47,50	36,00	35,00	1.4404	027B602000100ML
	1.1/4"	64,00	47,50	60,00	35,00	1.4404	027B602000125ML
	1.1/2"	64,00	47,50	60,00	35,00	1.4404	027B602000150ML
2.1/2"	3/4"	77,40	60,20	31,00	30,00	1.4404	027B602500075ML
	1"	77,40	60,20	36,00	35,00	1.4404	027B602500100ML
	1.1/4"	77,40	60,20	46,00	35,00	1.4404	027B602500125ML
	1.1/2"	77,40	60,20	60,00	35,00	1.4404	027B602500150ML
4"	3"	90,90	72,80	60,00	35,00	1.4404	027B604000300ML
	4"	90,90	72,80	60,00	35,00	1.4404	027B604000400ML

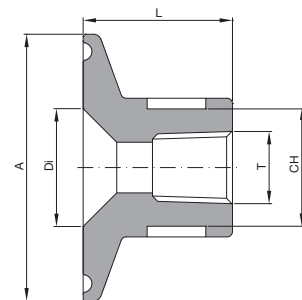
**ML**Int. finishing: $Ra \leq 0,4 \mu\text{m}$ Machined FinishExt. finishing: $Ra \leq 0,8 \mu\text{m}$ Mirror Polished

DIN 32676

Size	T	Ø A	Ø Di	CH	L	Material	Code
DN 10	1/8"	34,00	10,00	19,00	28,00	1.4404	027B6D0100012ML
	1/4"	34,00	10,00	19,00	28,00	1.4404	027B6D0100025ML
	3/8"	34,00	10,00	19,00	28,00	1.4404	027B6D0100037ML
	1/2"	34,00	10,00	30,00	38,00	1.4404	027B6D0100050ML
DN 15	1/8"	34,00	16,00	19,00	28,00	1.4404	027B6D0150012ML
	1/4"	34,00	16,00	19,00	28,00	1.4404	027B6D0150025ML
	3/8"	34,00	16,00	19,00	28,00	1.4404	027B6D0150037ML
	1/2"	34,00	16,00	30,00	38,00	1.4404	027B6D0150050ML
DN 20	1/8"	34,00	20,00	19,00	28,00	1.4404	027B6D0200012ML
	1/4"	34,00	20,00	19,00	28,00	1.4404	027B6D0200025ML
	3/8"	34,00	20,00	19,00	28,00	1.4404	027B6D0200037ML
	1/2"	34,00	20,00	30,00	38,00	1.4404	027B6D0200050ML
DN 25	1/8"	50,50	26,00	14,00	28,00	1.4404	027B6D0250012ML
	1/4"	50,50	26,00	22,00	28,00	1.4404	027B6D0250025ML
	3/8"	50,50	26,00	24,00	28,00	1.4404	027B6D0250037ML
	1/2"	50,50	26,00	27,00	28,00	1.4404	027B6D0250050ML
	3/4"	50,50	26,00	31,00	28,00	1.4404	027B6D0250075ML
	1"	50,50	26,00	36,00	28,00	1.4404	027B6D0250100ML
DN 32	1/8"	50,50	32,00	14,00	28,00	1.4404	027B6D0320012ML
	1/4"	50,50	32,00	22,00	28,00	1.4404	027B6D0320025ML
	3/8"	50,50	32,00	24,00	28,00	1.4404	027B6D0320037ML
	1/2"	50,50	32,00	27,00	28,00	1.4404	027B6D0320050ML
	3/4"	50,50	32,00	31,00	28,00	1.4404	027B6D0320075ML
	1"	50,50	32,00	36,00	28,00	1.4404	027B6D0320100ML
	1.1/4"	50,50	32,00	46,00	35,00	1.4404	027B6D0320125ML
	1.1/2"	50,50	32,00	60,00	40,00	1.4404	027B6D0320150ML
DN 40	1/8"	50,50	38,00	14,00	28,00	1.4404	027B6D0400012ML
	1/4"	50,50	38,00	22,00	28,00	1.4404	027B6D0400025ML
	3/8"	50,50	38,00	24,00	28,00	1.4404	027B6D0400037ML
	1/2"	50,50	38,00	27,00	28,00	1.4404	027B6D0400050ML
	3/4"	50,50	38,00	31,00	28,00	1.4404	027B6D0400075ML
	1"	50,50	38,00	36,00	28,00	1.4404	027B6D0400100ML
	1.1/4"	50,50	38,00	46,00	35,00	1.4404	027B6D0400125ML
	1.1/2"	50,50	38,00	60,00	40,00	1.4404	027B6D0400150ML
DN 50	3/4"	64,00	50,00	31,00	30,00	1.4404	027B6D0500075ML
	1"	64,00	50,00	36,00	35,00	1.4404	027B6D0500100ML
	1.1/4"	64,00	50,00	60,00	35,00	1.4404	027B6D0500125ML
	1.1/2"	64,00	50,00	60,00	35,00	1.4404	027B6D0500150ML



ML

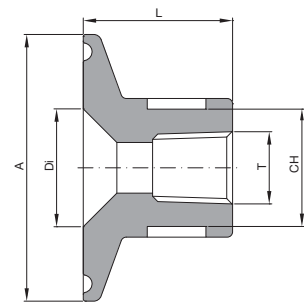
Int. finishing: $Ra \leq 0,4 \mu\text{m}$ Machined FinishExt. finishing: $Ra \leq 0,8 \mu\text{m}$ Mirror Polished

ISO 1127

Size	T	Ø A	Ø Di	CH	L	Material	Code
DN 8	1/8"	34,00	10,30	19,00	28,00	1.4404	027B6I0080012ML
	1/4"	34,00	10,30	19,00	28,00	1.4404	027B6I0080025ML
	3/8"	34,00	10,30	19,00	28,00	1.4404	027B6I0080037ML
	1/2"	34,00	10,30	30,00	38,00	1.4404	027B6I0080050ML
DN 10	1/8"	34,00	14,00	19,00	28,00	1.4404	027B6I0100012ML
	1/4"	34,00	14,00	19,00	28,00	1.4404	027B6I0100025ML
	3/8"	34,00	14,00	19,00	28,00	1.4404	027B6I0100037ML
	1/2"	34,00	14,00	30,00	38,00	1.4404	027B6I0100050ML
DN 15	1/8"	34,00	18,10	19,00	28,00	1.4404	027B6I0150012ML
	1/4"	34,00	18,10	19,00	28,00	1.4404	027B6I0150025ML
	3/8"	34,00	18,10	19,00	28,00	1.4404	027B6I0150037ML
	1/2"	34,00	18,10	30,00	38,00	1.4404	027B6I0150050ML
DN 20	1/8"	50,50	23,70	14,00	28,00	1.4404	027B6I0200012ML
	1/4"	50,50	23,70	22,00	28,00	1.4404	027B6I0200025ML
	3/8"	50,50	23,70	24,00	28,00	1.4404	027B6I0200037ML
	1/2"	50,50	23,70	27,00	28,00	1.4404	027B6I0200050ML
	3/4"	50,50	23,70	31,00	28,00	1.4404	027B6I0200075ML
	1"	50,50	23,70	36,00	28,00	1.4404	027B6I0200100ML
DN 25	1/8"	50,50	29,70	14,00	28,00	1.4404	027B6I0250012ML
	1/4"	50,50	29,70	22,00	28,00	1.4404	027B6I0250025ML
	3/8"	50,50	29,70	24,00	28,00	1.4404	027B6I0250037ML
	1/2"	50,50	29,70	27,00	28,00	1.4404	027B6I0250050ML
	3/4"	50,50	29,70	31,00	28,00	1.4404	027B6I0250075ML
	1"	50,50	29,70	36,00	28,00	1.4404	027B6I0250100ML
	1.1/4"	50,50	29,70	46,00	35,00	1.4404	027B6I0250125ML
	1.1/2"	50,50	29,70	60,00	40,00	1.4404	027B6I0250150ML
DN 32	1/8"	50,50	38,40	14,00	28,00	1.4404	027B6I0320012ML
	1/4"	50,50	38,40	22,00	28,00	1.4404	027B6I0320025ML
	3/8"	50,50	38,40	24,00	28,00	1.4404	027B6I0320037ML
	1/2"	50,50	38,40	27,00	28,00	1.4404	027B6I0320050ML
	3/4"	50,50	38,40	31,00	28,00	1.4404	027B6I0320075ML
	1"	50,50	38,40	36,00	28,00	1.4404	027B6I0320100ML
	1.1/4"	50,50	38,40	46,00	35,00	1.4404	027B6I0320125ML
	1.1/2"	50,50	38,40	60,00	40,00	1.4404	027B6I0320150ML
DN 40	3/4"	64,00	44,30	31,00	30,00	1.4404	027B6I0400075ML
	1"	64,00	44,30	36,00	35,00	1.4404	027B6I0400100ML
	1.1/4"	64,00	44,30	60,00	35,00	1.4404	027B6I0400125ML
	1.1/2"	64,00	44,30	60,00	45,00	1.4404	027B6I0400150ML



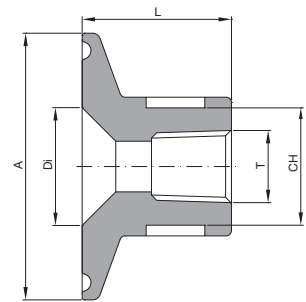
ML

Int. finishing: $Ra \leq 0,4 \mu\text{m}$ Machined FinishExt. finishing: $Ra \leq 0,8 \mu\text{m}$ Mirror Polished



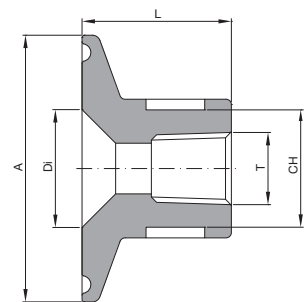
ASTM A270 Flange design According to ASME-BPE

Size	T	Ø A	Ø Di	CH	L	Material	Code
1/2"	1/8"	25,00	9,40	14,00	28,00	1.4404	027C600500012ML
	1/4"	25,00	9,40	22,00	28,00	1.4404	027C600500025ML
	3/8"	25,00	9,40	22,00	28,00	1.4404	027C600500037ML
	1/2"	25,00	9,40	22,00	35,00	1.4404	027C600500050ML
3/4"	1/8"	25,00	15,75	14,00	28,00	1.4404	027C600750012ML
	1/4"	25,00	15,75	22,00	28,00	1.4404	027C600750025ML
	3/8"	25,00	15,75	22,00	28,00	1.4404	027C600750037ML
	1/2"	25,00	15,75	22,00	38,00	1.4404	027C600750050ML
1"	1/8"	50,50	22,10	14,00	28,00	1.4404	027C601000012ML
	1/4"	50,50	22,10	22,00	28,00	1.4404	027C601000025ML
	3/8"	50,50	22,10	24,00	28,00	1.4404	027C601000037ML
	1/2"	50,50	22,10	27,00	28,00	1.4404	027C601000050ML
	3/4"	50,50	22,10	31,00	28,00	1.4404	027C601000075ML
	1"	50,50	22,10	36,00	28,00	1.4404	027C601000100ML
1.1/2"	1/8"	50,50	22,10	14,00	28,00	1.4404	027C601500012ML
	1/4"	50,50	34,80	22,00	28,00	1.4404	027C601500025ML
	3/8"	50,50	34,80	24,00	28,00	1.4404	027C601500037ML
	1/2"	50,50	34,80	27,00	28,00	1.4404	027C601500050ML
	3/4"	50,50	34,80	31,00	28,00	1.4404	027C601500075ML
	1"	50,50	34,80	36,00	28,00	1.4404	027C601500100ML
	1.1/4"	50,50	34,80	46,00	35,00	1.4404	027C601500125ML
	1.1/2"	50,50	34,80	60,00	40,00	1.4404	027C601500150ML
2"	3/4"	64,00	47,50	31,00	30,00	1.4404	027C602000075ML
	1"	64,00	47,50	36,00	35,00	1.4404	027C602000100ML
	1.1/4"	64,00	47,50	60,00	35,00	1.4404	027C602000125ML
	1.1/2"	64,00	47,50	60,00	35,00	1.4404	027C602000150ML
2.1/2"	3/4"	77,40	60,20	31,00	30,00	1.4404	027C602500075ML
	1"	77,40	60,20	36,00	35,00	1.4404	027C602500100ML
	1.1/4"	77,40	60,20	46,00	35,00	1.4404	027C602500125ML
	1.1/2"	77,40	60,20	60,00	35,00	1.4404	027C602500150ML
4"	3"	90,90	72,80	60,00	35,00	1.4404	027C604000300ML
	4"	90,90	72,80	60,00	35,00	1.4404	027C604000400ML

MLInt. finishing: $Ra \leq 0,4 \mu\text{m}$ Machined FinishExt. finishing: $Ra \leq 0,8 \mu\text{m}$ Mirror Polished

DIN 32676

Size	T	Ø A	Ø Di	CH	L	Material	Code
DN 10	1/8"	34,00	10,00	19,00	28,00	1.4404	027C6D0100012ML
	1/4"	34,00	10,00	19,00	28,00	1.4404	027C6D0100025ML
	3/8"	34,00	10,00	19,00	28,00	1.4404	027C6D0100037ML
	1/2"	34,00	10,00	30,00	38,00	1.4404	027C6D0100050ML
DN 15	1/8"	34,00	16,00	19,00	28,00	1.4404	027C6D0150012ML
	1/4"	34,00	16,00	19,00	28,00	1.4404	027C6D0150025ML
	3/8"	34,00	16,00	19,00	28,00	1.4404	027C6D0150037ML
	1/2"	34,00	16,00	30,00	38,00	1.4404	027C6D0150050ML
DN 20	1/8"	34,00	20,00	19,00	28,00	1.4404	027C6D0200012ML
	1/4"	34,00	20,00	19,00	28,00	1.4404	027C6D0200025ML
	3/8"	34,00	20,00	19,00	28,00	1.4404	027C6D0200037ML
	1/2"	34,00	20,00	30,00	38,00	1.4404	027C6D0200050ML
DN 25	1/8"	50,50	26,00	14,00	28,00	1.4404	027C6D0250012ML
	1/4"	50,50	26,00	22,00	28,00	1.4404	027C6D0250025ML
	3/8"	50,50	26,00	24,00	28,00	1.4404	027C6D0250037ML
	1/2"	50,50	26,00	27,00	28,00	1.4404	027C6D0250050ML
	3/4"	50,50	26,00	31,00	28,00	1.4404	027C6D0250075ML
	1"	50,50	26,00	36,00	28,00	1.4404	027C6D0250100ML
DN 32	1/8"	50,50	32,00	14,00	28,00	1.4404	027C6D0320012ML
	1/4"	50,50	32,00	22,00	28,00	1.4404	027C6D0320025ML
	3/8"	50,50	32,00	24,00	28,00	1.4404	027C6D0320037ML
	1/2"	50,50	32,00	27,00	28,00	1.4404	027C6D0320050ML
	3/4"	50,50	32,00	31,00	28,00	1.4404	027C6D0320075ML
	1"	50,50	32,00	36,00	28,00	1.4404	027C6D0320100ML
	1.1/4"	50,50	32,00	46,00	35,00	1.4404	027C6D0320125ML
	1.1/2"	50,50	32,00	60,00	40,00	1.4404	027C6D0320150ML
DN 40	1/8"	50,50	38,00	14,00	28,00	1.4404	027C6D0400012ML
	1/4"	50,50	38,00	22,00	28,00	1.4404	027C6D0400025ML
	3/8"	50,50	38,00	24,00	28,00	1.4404	027C6D0400037ML
	1/2"	50,50	38,00	27,00	28,00	1.4404	027C6D0400050ML
	3/4"	50,50	38,00	31,00	28,00	1.4404	027C6D0400075ML
	1"	50,50	38,00	36,00	28,00	1.4404	027C6D0400100ML
	1.1/4"	50,50	38,00	46,00	35,00	1.4404	027C6D0400125ML
	1.1/2"	50,50	38,00	60,00	40,00	1.4404	027C6D0400150ML
DN 50	3/4"	64,00	50,00	31,00	30,00	1.4404	027C6D0500075ML
	1"	64,00	50,00	36,00	35,00	1.4404	027C6D0500100ML
	1.1/4"	64,00	50,00	60,00	35,00	1.4404	027C6D0500125ML
	1.1/2"	64,00	50,00	60,00	35,00	1.4404	027C6D0500150ML

**ML**Int. finishing: $Ra \leq 0,4 \mu\text{m}$ Machined FinishExt. finishing: $Ra \leq 0,8 \mu\text{m}$ Mirror Polished

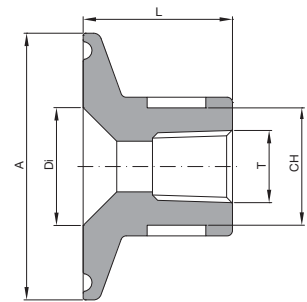


ISO 1127

Size	T	Ø A	Ø Di	CH	L	Material	Code
DN 8	1/8"	34,00	10,30	19,00	28,00	1.4404	027C6I0080012ML
	1/4"	34,00	10,30	19,00	28,00	1.4404	027C6I0080025ML
	3/8"	34,00	10,30	19,00	28,00	1.4404	027C6I0080037ML
	1/2"	34,00	10,30	30,00	38,00	1.4404	027C6I0080050ML
DN 10	1/8"	34,00	14,00	19,00	28,00	1.4404	027C6I0100012ML
	1/4"	34,00	14,00	19,00	28,00	1.4404	027C6I0100025ML
	3/8"	34,00	14,00	19,00	28,00	1.4404	027C6I0100037ML
	1/2"	34,00	14,00	30,00	38,00	1.4404	027C6I0100050ML
DN 15	1/8"	34,00	18,10	19,00	28,00	1.4404	027C6I0150012ML
	1/4"	34,00	18,10	19,00	28,00	1.4404	027C6I0150025ML
	3/8"	34,00	18,10	19,00	28,00	1.4404	027C6I0150037ML
	1/2"	34,00	18,10	30,00	38,00	1.4404	027C6I0150050ML
DN 20	1/8"	50,50	23,70	14,00	28,00	1.4404	027C6I0200012ML
	1/4"	50,50	23,70	22,00	28,00	1.4404	027C6I0200025ML
	3/8"	50,50	23,70	24,00	28,00	1.4404	027C6I0200037ML
	1/2"	50,50	23,70	27,00	28,00	1.4404	027C6I0200050ML
	3/4"	50,50	23,70	31,00	28,00	1.4404	027C6I0200075ML
	1"	50,50	23,70	36,00	28,00	1.4404	027C6I0200100ML
DN 25	1/8"	50,50	29,70	14,00	28,00	1.4404	027C6I0250012ML
	1/4"	50,50	29,70	22,00	28,00	1.4404	027C6I0250025ML
	3/8"	50,50	29,70	24,00	28,00	1.4404	027C6I0250037ML
	1/2"	50,50	29,70	27,00	28,00	1.4404	027C6I0250050ML
	3/4"	50,50	29,70	31,00	28,00	1.4404	027C6I0250075ML
	1"	50,50	29,70	36,00	28,00	1.4404	027C6I0250100ML
	1.1/4"	50,50	29,70	46,00	35,00	1.4404	027C6I0250125ML
	1.1/2"	50,50	29,70	60,00	40,00	1.4404	027C6I0250150ML
DN 32	1/8"	50,50	38,40	14,00	28,00	1.4404	027C6I0320012ML
	1/4"	50,50	38,40	22,00	28,00	1.4404	027C6I0320025ML
	3/8"	50,50	38,40	24,00	28,00	1.4404	027C6I0320037ML
	1/2"	50,50	38,40	27,00	28,00	1.4404	027C6I0320050ML
	3/4"	50,50	38,40	31,00	28,00	1.4404	027C6I0320075ML
	1"	50,50	38,40	36,00	28,00	1.4404	027C6I0320100ML
	1.1/4"	50,50	38,40	46,00	35,00	1.4404	027C6I0320125ML
	1.1/2"	50,50	38,40	60,00	40,00	1.4404	027C6I0320150ML
DN 40	3/4"	64,00	44,30	31,00	30,00	1.4404	027C6I0400075ML
	1"	64,00	44,30	36,00	35,00	1.4404	027C6I0400100ML
	1.1/4"	64,00	44,30	60,00	35,00	1.4404	027C6I0400125ML
	1.1/2"	64,00	44,30	60,00	45,00	1.4404	027C6I0400150ML

ML

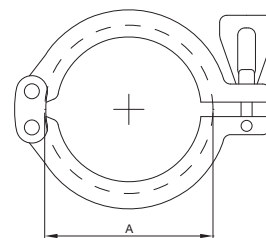
Int. finishing: $Ra \leq 0,4 \mu\text{m}$ Machined Finish
Ext. finishing: $Ra \leq 0,8 \mu\text{m}$ Mirror Polished





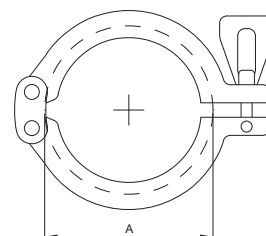
ASTM A270 / DIN 32676 / ISO 1127 - AISI 304 - 1.4301

A	Ø Flange	ASTM A270	DIN 32676	ISO 1127	Material	Code
28	25	1/2", 3/4"			AISI 304	034Z40050
37	34		DN 10-15-20	DN 8-10-15	AISI 304	034Z4D010
53	50,5	1", 1.1/2"	DN 25-32-40	DN 20-25-32	AISI 304	034Z40100
67	64	2"	DN 50	DN 40	AISI 304	034Z40200
80	77,5	2.1/2"		DN 50	AISI 304	034Z40250
94	91	3"	DN 65	DN 65	AISI 304	034Z40300
109	106		DN 80	DN 80	AISI 304	034Z4D080
122	119	4"	DN 100		AISI 304	034Z40400
133	130			DN 100	AISI 304	034Z4D100
170	167	6"			AISI 304	034Z40600



ASTM A270 / DIN 32676 / ISO 1127 - AISI 316

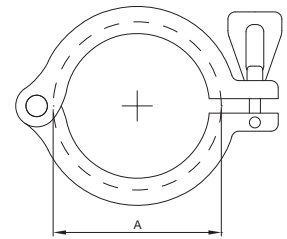
A	Ø Flange	ASTM A270	DIN 32676	ISO 1127	Material	Code
28	25	1/2", 3/4"			AISI 316	034Z60050
37	34		DN 10-15-20	DN 8-10-15	AISI 316	034Z6D010
53	50,5	1", 1.1/2"	DN 25-32-40	DN 20-25-32	AISI 316	034Z60100
67	64	2"	DN 50	DN 40	AISI 316	034Z60200
80	77,5	2.1/2"		DN 50	AISI 316	034Z60250
94	91	3"	DN 65	DN 65	AISI 316	034Z60300
109	106		DN 80	DN 80	AISI 316	034Z6D080
122	119	4"	DN 100		AISI 316	034Z60400
133	130			DN 100	AISI 316	034Z6D100
170	167	6"			AISI 316	034Z60600





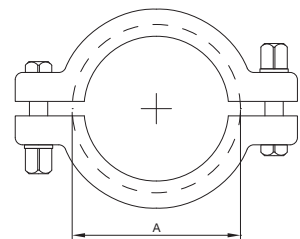
ART. 039 Single Pin Clamp

A	Ø Flange	ASTM A270	DIN 32676	ISO 1127	Material	Code
28	25	1/2", 3/4"			AISI 304	039Z40050
37	34		DN 10-15-20	DN 8-10-15	AISI 304	039Z4D010
53	50,5	1", 1.1/2"	DN 25-32-40	DN 20-25-32	AISI 304	039Z40100
67	64	2"	DN 50	DN 40	AISI 304	039Z40200
80	77,5	2.1/2"		DN 50	AISI 304	039Z40250
94	91	3"	DN 65	DN 65	AISI 304	039Z40300
109	106		DN 80	DN 80	AISI 304	039Z4D080
122	119	4"	DN 100		AISI 304	039Z40400
133	130			DN 100	AISI 304	039Z4D100
170	167	6"			AISI 304	039Z40600



ART. 035 High Pressure Clamp

A	Ø Flange	ASTM A270	DIN 32676	ISO 1127	Material	Code
28	25	1/2", 3/4"			AISI 304	035Z40050
52	50,5	1", 1.1/2"	DN 25-32-40	DN 20-25-32	AISI 304	035Z40100
65,5	64	2"	DN 50	DN 40	AISI 304	035Z40200
79	77,5	2.1/2"		DN 50	AISI 304	035Z40250
92,5	91	3"	DN 65	DN 65	AISI 304	035Z40300
120	119	4"	DN 100		AISI 304	035Z40400
168	167	6"			AISI 304	035Z40600



ART. 097

TRI-CLAMP FITTINGS



INSTRUMENT PORT

Instrument ports are used to adapt pressure and temperature measuring instruments to pipelines reducing dead legs. It has been specifically developed for applications in sterile process engineering. They are available on Tri-Clamp and butt weld ends, for manual and automatic weldings. We can produce special Instrument Ports with several connections on the same piece, to fulfill customer requirements, reducing dimensions and number of parts for sterile pipeline assembly.



ART. 097/A Long Butt Weld Ends Automatical Welding

Design according to ASME BPE table DT-28

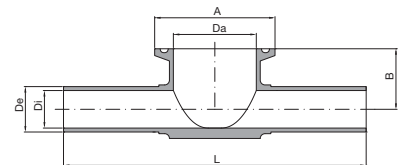
A	Da	B	De	Di	L	Material	Finishing	Code
1.1/2"	34,8	22,20	12,70	9,40	127,00	1.4435-BN2	SF-1	097A50150012 SF1
							SF-4	097A50150012 SF4
		25,40	19,05	15,75	127,00	1.4435-BN2	SF-1	097A50150019 SF1
							SF-4	097A50150019 SF4
		28,60	25,40	22,10	127,00	1.4435-BN2	SF-1	097A50150025 SF1
							SF-4	097A50150025 SF4
2"	47,50	25,40	12,70	9,40	139,80	1.4435-BN2	SF-1	097A50200012 SF1
							SF-4	097A50200012 SF4
		28,60	19,05	15,75	139,80	1.4435-BN2	SF-1	097A50200019 SF1
							SF-4	097A50200019 SF4
		31,80	25,40	22,10	139,80	1.4435-BN2	SF-1	097A50200025 SF1
							SF-4	097A50200025 SF4
		38,10	38,10	34,80	139,80	1.4435-BN2	SF-1	097A50200038 SF1
							SF-4	097A50200038 SF4

SF-1

Int. finishing: $Ra \leq 0,4 \mu\text{m}$ Machined Finish
 Ext. finishing: $Ra \leq 0,8 \mu\text{m}$ Machined Finish

SF-4

Int. finishing: $Ra \leq 0,4 \mu\text{m}$ Electropolished
 Ext. finishing: $Ra \leq 0,8 \mu\text{m}$ Electropolished

**ART. 097/B** Tri-Clamp Ends

Flange design according to ASME BPE

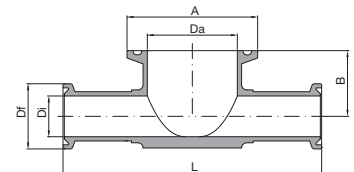
A	Da	B	Df	Di	L	Material	Finishing	Code
1.1/2"	34,8	22,20	25,00	9,40	100,00	1.4435-BN2	SF-1	097B50150012 SF1
							SF-4	097B50150012 SF4
		25,40	25,00	15,75	100,00	1.4435-BN2	SF-1	097B50150019 SF1
							SF-4	097B50150019 SF4
		28,60	50,50	22,10	100,00	1.4435-BN2	SF-1	097B50150025 SF1
							SF-4	097B50150025 SF4
2"	47,50	25,40	25,00	9,40	110,00	1.4435-BN2	SF-1	097B50200012 SF1
							SF-4	097B50200012 SF4
		28,60	25,00	15,75	110,00	1.4435-BN2	SF-1	097B50200019 SF1
							SF-4	097B50200019 SF4
		31,80	50,50	22,10	110,00	1.4435-BN2	SF-1	097B50200025 SF1
							SF-4	097B50200025 SF4
		38,10	50,50	34,80	110,00	1.4435-BN2	SF-1	097B50200038 SF1
							SF-4	097B50200038 SF4

SF-1

Int. finishing: $Ra \leq 0,4 \mu\text{m}$ Machined Finish
 Ext. finishing: $Ra \leq 0,8 \mu\text{m}$ Machined Finish

SF-4

Int. finishing: $Ra \leq 0,4 \mu\text{m}$ Electropolished
 Ext. finishing: $Ra \leq 0,8 \mu\text{m}$ Electropolished

**ART. 097/C** Short Butt Weld Manual Welding

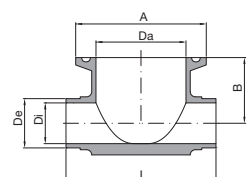
A	Da	B	De	Di	L	Material	Finishing	Code
1.1/2"	34,8	22,20	12,70	9,40	58,00	1.4435-BN2	SF-1	097C50150012 SF1
							SF-4	097C50150012 SF4
		25,40	19,05	15,75	58,00	1.4435-BN2	SF-1	097C50150019 SF1
							SF-4	097C50150019 SF4
		28,60	25,40	22,10	58,00	1.4435-BN2	SF-1	097C50150025 SF1
							SF-4	097C50150025 SF4
2"	47,50	25,40	12,70	9,40	70,00	1.4435-BN2	SF-1	097C50200012 SF1
							SF-4	097C50200012 SF4
		28,60	19,05	15,75	70,00	1.4435-BN2	SF-1	097C50200019 SF1
							SF-4	097C50200019 SF4
		31,80	25,40	22,10	70,00	1.4435-BN2	SF-1	097C50200025 SF1
							SF-4	097C50200025 SF4
		38,10	38,10	34,80	70,00	1.4435-BN2	SF-1	097C50200038 SF1
							SF-4	097C50200038 SF4

SF-1

Int. finishing: $Ra \leq 0,4 \mu\text{m}$ Machined Finish
 Ext. finishing: $Ra \leq 0,8 \mu\text{m}$ Machined Finish

SF-4

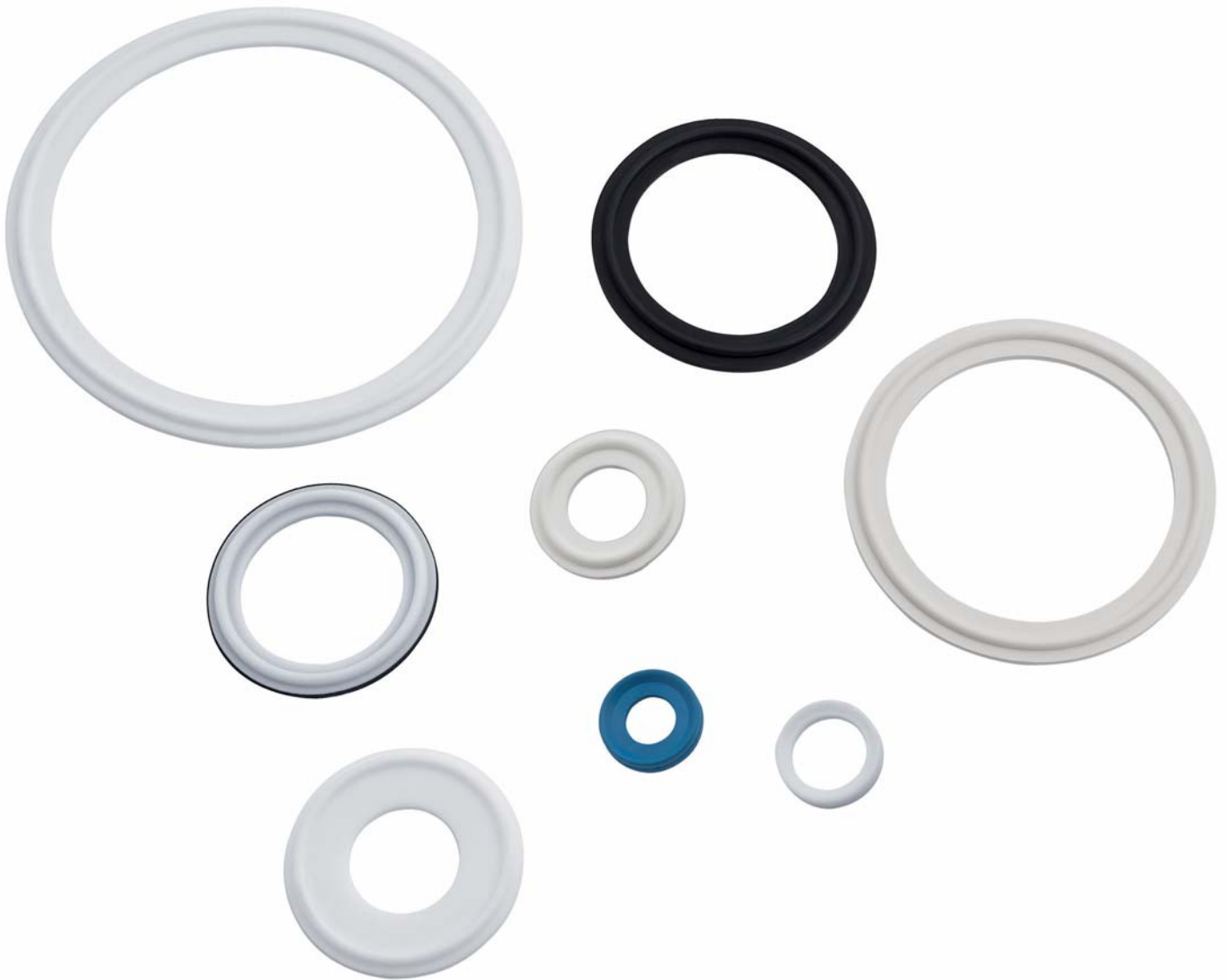
Int. finishing: $Ra \leq 0,4 \mu\text{m}$ Electropolished
 Ext. finishing: $Ra \leq 0,8 \mu\text{m}$ Electropolished



ART. **036**

TRI-CLAMP FITTINGS

TRI-CLAMP GASKETS



ASTM A270

Size	Material	Code
1/2"	PTFE - FDA	036Z0050PTF
	PTFE - USP 70	036Z0050PT70
	PTFE - USP 121	036Z0050PT121
	SILICONE FDA	036Z0050SIF
	SILICONE USP 70	036Z0050SI70
	SILICONE USP 121	036Z0050SI121
	EPDM FDA	036Z0050EPF
	EPDM USP 70	036Z0050EP70
	FPM/FKM	036Z0050V
	FPM/FKM USP 70	036Z0050V70
3/4"	PTFE - FDA	036Z0075PTF
	PTFE - USP 70	036Z0075PT70
	PTFE - USP 121	036Z0075PT121
	SILICONE FDA	036Z0075SIF
	SILICONE USP 70	036Z0075SI70
	SILICONE USP 121	036Z0075SI121
	EPDM FDA	036Z0075EPF
	EPDM USP 70	036Z0075EP70
	FPM/FKM	036Z0075V
	FPM/FKM USP 70	036Z0075V70
1"	PTFE - FDA	036Z0100PTF
	PTFE - USP 70	036Z0100PT70
	PTFE - USP 121	036Z0100PT121
	SILICONE FDA	036Z0100SIF
	SILICONE USP 70	036Z0100SI70
	SILICONE USP 121	036Z0100SI121
	EPDM FDA	036Z0100EPF
	EPDM USP 70	036Z0100EP70
	FPM/FKM	036Z0100V
	FPM/FKM USP 70	036Z0100V70
1.1/2"	PTFE - FDA	036Z0150PTF
	PTFE - USP 70	036Z0150PT70
	PTFE - USP 121	036Z0150PT121
	SILICONE FDA	036Z0150SIF
	SILICONE USP 70	036Z0150SI70
	SILICONE USP 121	036Z0150SI121
	EPDM FDA	036Z0150EPF
	EPDM USP 70	036Z0150EP70
	FPM/FKM	036Z0150V
	FPM/FKM USP 70	036Z0150V70
2"	PTFE - FDA	036Z0200PTF
	PTFE - USP 70	036Z0200PT70
	PTFE - USP 121	036Z0200PT121
	SILICONE FDA	036Z0200SIF
	SILICONE USP 70	036Z0200SI70
	SILICONE USP 121	036Z0200SI121
	EPDM FDA	036Z0200EPF
	EPDM USP 70	036Z0200EP70
	FPM/FKM	036Z0200V
	FPM/FKM USP 70	036Z0200V70

Size	Material	Code
2.1/2"	PTFE - FDA	036Z0250PTF
	PTFE - USP 70	036Z0250PT70
	PTFE - USP 121	036Z0250PT121
	SILICONE FDA	036Z0250SIF
	SILICONE USP 70	036Z0250SI70
	SILICONE USP 121	036Z0250SI121
	EPDM FDA	036Z0250EPF
	EPDM USP 70	036Z0250EP70
	FPM/FKM	036Z0250V
	FPM/FKM USP 70	036Z0250V70
3"	PTFE - FDA	036Z0300PTF
	PTFE - USP 70	036Z0300PT70
	PTFE - USP 121	036Z0300PT121
	SILICONE FDA	036Z0300SIF
	SILICONE USP 70	036Z0300SI70
	SILICONE USP 121	036Z0300SI121
	EPDM FDA	036Z0300EPF
	EPDM USP 70	036Z0300EP70
	FPM/FKM	036Z0300V
	FPM/FKM USP 70	036Z0300V70
4"	PTFE - FDA	036Z0400PTF
	PTFE - USP 70	036Z0400PT70
	PTFE - USP 121	036Z0400PT121
	SILICONE FDA	036Z0400SIF
	SILICONE USP 70	036Z0400SI70
	SILICONE USP 121	036Z0400SI121
	EPDM FDA	036Z0400EPF
	EPDM USP 70	036Z0400EP70
	FPM/FKM	036Z0400V
	FPM/FKM USP 70	036Z0400V70
6"	PTFE - FDA	036Z0600PTF
	PTFE - USP 70	036Z0600PT70
	PTFE - USP 121	036Z0600PT121
	SILICONE FDA	036Z0600SIF
	SILICONE USP 70	036Z0600SI70
	SILICONE USP 121	036Z0600SI121
	EPDM FDA	036Z0600EPF
	EPDM USP 70	036Z0600EP70
	FPM/FKM	036Z0600V
	FPM/FKM USP 70	036Z0600V70

DIN 32676

Size	Material	Code
DN 10	PTFE - FDA	036ZD010PTF
	PTFE - USP 70	036ZD010PT70
	PTFE - USP 121	036ZD010PT121
	SILICONE FDA	036ZD010SIF
	SILICONE USP 70	036ZD010SI70
	SILICONE USP 121	036ZD010SI121
	EPDM FDA	036ZD010EPF
	EPDM USP 70	036ZD010EP70
	FPM/FKM	036ZD010V
	FPM/FKM USP 70	036ZD010V70
DN 15	PTFE - FDA	036ZD015PTF
	PTFE - USP 70	036ZD015PT70
	PTFE - USP 121	036ZD015PT121
	SILICONE FDA	036ZD015SIF
	SILICONE USP 70	036ZD015SI70
	SILICONE USP 121	036ZD015SI121
	EPDM FDA	036ZD015EPF
	EPDM USP 70	036ZD015EP70
	FPM/FKM	036ZD015V
	FPM/FKM USP 70	036ZD015V70
DN 20	PTFE - FDA	036ZD020PTF
	PTFE - USP 70	036ZD020PT70
	PTFE - USP 121	036ZD020PT121
	SILICONE FDA	036ZD020SIF
	SILICONE USP 70	036ZD020SI70
	SILICONE USP 121	036ZD020SI121
	EPDM FDA	036ZD020EPF
	EPDM USP 70	036ZD020EP70
	FPM/FKM	036ZD020V
	FPM/FKM USP 70	036ZD020V70

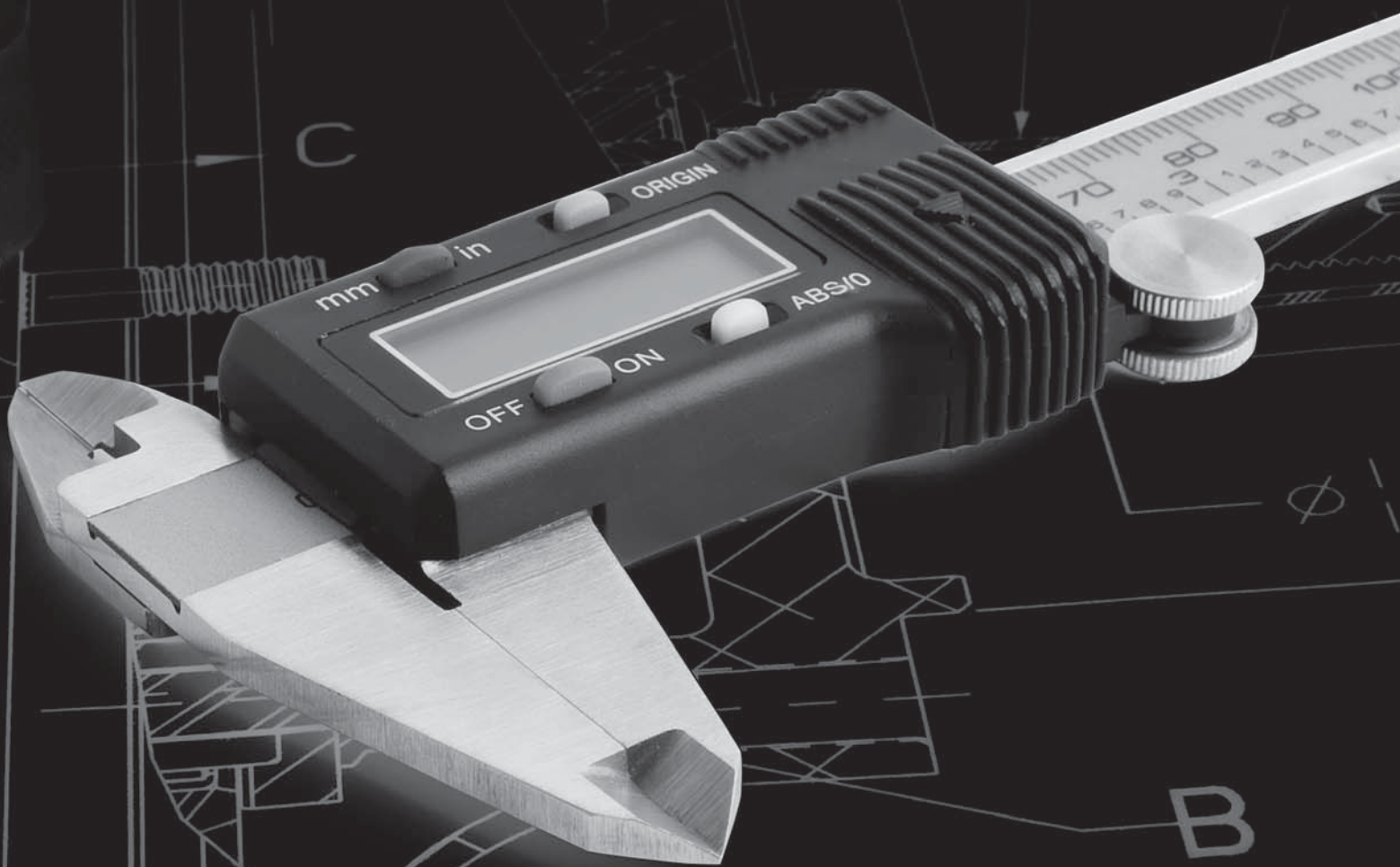
Size	Material	Code
DN 25	PTFE - FDA	036ZD025PTF
	PTFE - USP 70	036ZD025PT70
	PTFE - USP 121	036ZD025PT121
	SILICONE FDA	036ZD025SIF
	SILICONE USP 70	036ZD025SI70
	SILICONE USP 121	036ZD025SI121
	EPDM FDA	036ZD025EPF
	EPDM USP 70	036ZD025EP70
	FPM/FKM	036ZD025V
	FPM/FKM USP 70	036ZD025V70
DN 32	PTFE - FDA	036ZD032PTF
	PTFE - USP 70	036ZD032PT70
	PTFE - USP 121	036ZD032PT121
	SILICONE FDA	036ZD032SIF
	SILICONE USP 70	036ZD032SI70
	SILICONE USP 121	036ZD032SI121
	EPDM FDA	036ZD032EPF
	EPDM USP 70	036ZD032EP70
	FPM/FKM	036ZD032V
	FPM/FKM USP 70	036ZD032V70
DN 40	PTFE - FDA	036ZD040PTF
	PTFE - USP 70	036ZD040PT70
	PTFE - USP 121	036ZD040PT121
	SILICONE FDA	036ZD040SIF
	SILICONE USP 70	036ZD040SI70
	SILICONE USP 121	036ZD040SI121
	EPDM FDA	036ZD040EPF
	EPDM USP 70	036ZD040EP70
	FPM/FKM	036ZD040V
	FPM/FKM USP 70	036ZD040V70

ISO 1127

Size	Material	Code
DN 8	PTFE - FDA	036ZI008PTF
	PTFE - USP 70	036ZI008PT70
	PTFE - USP 121	036ZI008PT121
	SILICONE FDA	036ZI008SIF
	SILICONE USP 70	036ZI008SI70
	SILICONE USP 121	036ZI008SI121
	EPDM FDA	036ZI008EPF
	EPDM USP 70	036ZI008EP70
	FPM/FKM	036ZI008V
	FPM/FKM USP 70	036ZI008V70
DN 10	PTFE - FDA	036ZI010PTF
	PTFE - USP 70	036ZI010PT70
	PTFE - USP 121	036ZI010PT121
	SILICONE FDA	036ZI010SIF
	SILICONE USP 70	036ZI010SI70
	SILICONE USP 121	036ZI010SI121
	EPDM FDA	036ZI010EPF
	EPDM USP 70	036ZI010EP70
	FPM/FKM	036ZI010V
	FPM/FKM USP 70	036ZI010V70
DN 15	PTFE - FDA	036ZI015PTF
	PTFE - USP 70	036ZI015PT70
	PTFE - USP 121	036ZI015PT121
	SILICONE FDA	036ZI015SIF
	SILICONE USP 70	036ZI015SI70
	SILICONE USP 121	036ZI015SI121
	EPDM FDA	036ZI015EPF
	EPDM USP 70	036ZI015EP70
	FPM/FKM	036ZI015V
	FPM/FKM USP 70	036ZI015V70

Size	Material	Code
DN 20	PTFE - FDA	036ZI020PTF
	PTFE - USP 70	036ZI020PT70
	PTFE - USP 121	036ZI020PT121
	SILICONE FDA	036ZI020SIF
	SILICONE USP 70	036ZI020SI70
	SILICONE USP 121	036ZI020SI121
	EPDM FDA	036ZI020EPF
	EPDM USP 70	036ZI020EP70
	FPM/FKM	036ZI020V
	FPM/FKM USP 70	036ZI020V70
DN 25	PTFE - FDA	036ZI025PTF
	PTFE - USP 70	036ZI025PT70
	PTFE - USP 121	036ZI025PT121
	SILICONE FDA	036ZI025SIF
	SILICONE USP 70	036ZI025SI70
	SILICONE USP 121	036ZI025SI121
	EPDM FDA	036ZI025EPF
	EPDM USP 70	036ZI025EP70
	FPM/FKM	036ZI025V
	FPM/FKM USP 70	036ZI025V70
DN 32	PTFE - FDA	036ZI032PTF
	PTFE - USP 70	036ZI032PT70
	PTFE - USP 121	036ZI032PT121
	SILICONE FDA	036ZI032SIF
	SILICONE USP 70	036ZI032SI70
	SILICONE USP 121	036ZI032SI121
	EPDM FDA	036ZI032EPF
	EPDM USP 70	036ZI032EP70
	FPM/FKM	036ZI032V
	FPM/FKM USP 70	036ZI032V70

// Engineered solutions
to fulfill the customer needs



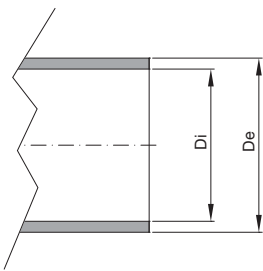
SPECIAL COMPONENTS

Rattiinox is orientated towards delivering services and products able to satisfy Customers requirements, as concerns aseptic processes and high purity technologies by designing dedicated equipment, devices and systems. Our services will range from the simple consulting, also in the field, for a better understanding of the real needs, to the delivery of standard and dedicated process components, up to be complemented by process engineering. All this is guaranteed by the collaboration of Rattiinox with a team of experts with extensive experience providing process engineering, components and systems.

The state of the art of the CNC machining technologies, such as 5 axis machining centers equipped with more than 100 tools, 8 axis multitasking lathes, special ultrasonic cleaning machines and much more... Only the latest generation CNC machine tools are used to get high quality standards like 0,4Ra surface finishing directly on the machine tool working. R&D and engineering of new product and special assembly are available using 3D CAD and CAM softwares.

Rattiinox has always distinguished itself in the quality of its products and the seriousness in the relationships with its clients. All the products are made only with european AISI 316L 1.4404 and 1.4435-BN2 stainless steel and laser marked for full traceability. All products are screened to the surface roughness, measurement of ferrite and ultrasonic cleaned to obtain the highest quality throughout the production process.

PIPE DIMENSIONS



ASTM A270 - ASME-BPE

Size	Ø De	Ø Di
1/4"	6,35	4,57
3/8"	9,53	7,75
1/2"	12,70	9,40
3/4"	19,05	15,75
1"	25,40	22,10
1.1/2"	38,10	34,80
2"	50,80	47,50
2.1/2"	63,50	60,20
3"	76,20	72,90
4"	101,60	97,39
6"	152,40	146,86

DIN 32676

Size	Ø De	Ø Di
DN 10	13,00	10,00
DN 15	19,00	16,00
DN 20	23,00	20,00
DN 25	29,00	26,00
DN 32	35,00	32,00
DN 40	41,00	38,00
DN 50	53,00	50,00
DN 65	70,00	66,00
DN 80	85,00	81,00
DN 100	104,00	100,00

ISO 1127

Size	Ø De	Ø Di
DN 8	13,50	10,30
DN 10	17,20	14,00
DN 15	21,30	18,10
DN 20	26,90	23,70
DN 25	33,70	29,70
DN 32	42,40	38,40
DN 40	48,30	44,30
DN 50	60,30	56,30
DN 65	76,10	72,10
DN 80	88,90	84,30
DN 100	114,30	109,7

General sales conditions

Once the goods are delivered the Customer must promptly indicate any damage to the packing and its contents and, if possible, document this with photographs for any claim against the transporter. Any claim, either regarding damage or defects of quality or quantity in the goods, must be communicated to us within eight days of delivery of the goods. No returns will be accepted unless previously authorized by our Company. In the event of controversy, the sole competent court will be the Court of Milan (Foro di Milano), also in any case of payment by banker's draft or money order. Goods sold by installment payment will be considered property of the Producer (art. 1523 and following of the Italian Civil Code) until the payment is completed. In the case of late payment there will be a debit on the sum in the terms set out in D.Lgs. N° 231/2002, calculated from the time from demand for payment by dunning letter and this shall be over and above any costs incurred in the recovery of the debt. Delay in payment gives the Seller the right to suspend the execution of any further orders. Goods remain the property of Rattiinox until such time as full payment of the related invoice has been made.

Law on Protection of Privacy

We hereby declare that in accordance with law 675/96 and subsequent D.Lgs. 196/2003, Protection of Privacy, your personal information in our possession will be used, whether in written or digital form exclusively for book-keeping, administrative, financial, commercial purposes and in fulfillment of legal requirements. This declaration is made in recognition of your rights in as laid down in art. 7 of D.Lgs 196/2003.

Under the law on copyright and the civil code. It is strictly forbidden to reproduce this catalog or any part thereof, by any electronic method, mechanical, photocopying, microfilm, recording, or otherwise. All rights reserved. Drawings and information (descriptions, specifications, codes, etc...) shown in this catalogue may be subject to changes and variations. The Rattiinox reserves the right to modify or change without notice. All references are the sole property of Rattiinox.

ad graphic **essedesign.info**
printing **grafiche Antiga**

printed **March 2019**

