

ACTUATORS

A
B
D
E
F
G
H
I
J
K
L

H 005
Manual Actuators

H 007
Manual Actuators
for Atex App.

H 010
90° Extended Hand Knob
300mm Straight Version

H 011
90° Extended Hand Knob
300mm Straight Version
for Atex App.

H 025
Pneumatic Actuators NC

H 026
Pneumatic Actuators NC
For Atex App.

H 027
Pneumatic Actuators NC
for applications up to 16 bar

H 028
Pneumatic Actuators Nc
for Atex Applications
up to 16 bar

H 030
Pneumatic Actuators NO

H 031
Pneumatic Actuators NO
for Atex App.

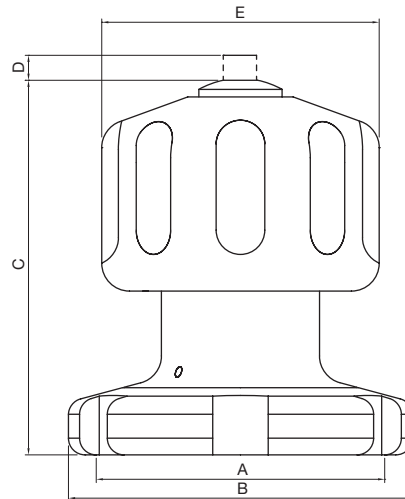
H 033
Pneumatic Actuators DE

H 034
Pneumatic Actuators DE
for Atex App.

H 060
Double Position Sensor

TECHNICAL INFORMATION _ CAT. N. YACT HNKN 0##0 X0000

MANUAL ACTUATORS



Clean and Aseptic Valves of CAD Product Line have simple and safe design, with their full drainability, without asymptotic seal and dead leg, are offering fast cleanability and sterilization practices. They are designed to fulfill stringent demands of CIP-SIP and Production Cycles on Aseptic Processing.

HNKN - Manual Actuator are designed to control the PTFE diaphragm of the CAD Clean and Aseptic Valves on SAFE areas. It has few and simple moveable parts which results in a very reliable component and low maintenance cost. For applications with CAD Double Position Sensor, please see H008: YACT HNDS 0##0 X000.

CODE	A	B mm (inch)	C mm (inch)	D mm (inch)	E mm (inch)	SIZE
YACT-HNKN-0120-X0000	M34x1	39,50 (1,56)	62,00 (2,44)	2,50 (0,10)	39,50 (1,56)	A12
YACT-HNKN-0190-X0000	M50x1	58,00 (2,29)	68,00 (2,68)	4,50 (0,18)	50,00 (1,97)	A19
YACT-HNKN-0250-X0000	M70x1	80,00 (3,15)	82,00 (3,23)	5,50 (0,22)	72,00 (2,84)	A25
YACT-HNKN-0380-X0000	M80x1	99,00 (3,90)	101,50 (4,00)	8,50 (0,34)	110,00 (4,33)	A38
YACT-HNKN-0500-X0000	M103x1,5	119,00 (4,69)	115,50 (4,55)	11,00 (0,43)	110,00 (4,33)	A50

SPECIFICATION:

CAD SIZE		A12	A19	A25	A38	A50		
MATERIAL	body	1.4404	1.4404	1.4404	1.4404	1.4404		
	locking ring	1.4404	1.4404	1.4404	1.4404	1.4404		
	hand knob	PTFE	PTFE	PTFE	PTFE	PTFE		
DESIGN PRESSURE	max(1) bar(g)	6	6	6	6	6		
	max psi(g)	87	87	87	87	87		
	min bar(g)	-1	-1	-1	-1	-1		
	min psi(g)	-14	-14	-14	-14	-14		

Environment Temperature: are autoclavable 135° C

Application Areas: SAFE

Note: The applied valve body and diaphragm may have different design temperature and/or pressure limits. The weakest component determines the maximum design temperature and pressure limits, when they are assembled.

Surface Roughness: External surface Ra ≤ 0.8µm (32µinch)

Lubricant: Actuator are lubricated to workshop and don't need lubrication

Labeling: Each Actuator is labeled for full LOT traceability

Packaging: The Actuator is packaged in a closed box with Operating and Maintenance bulletin, Certificate of Conformity and Materials Certification 3.1

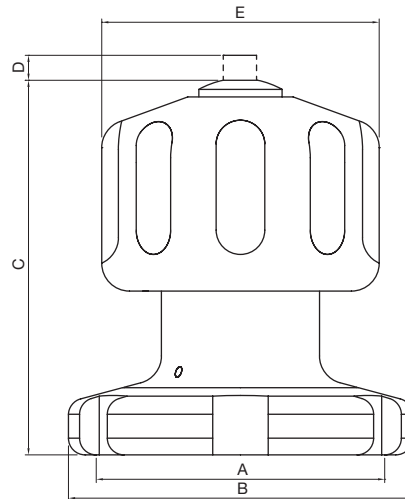
Quality Control: Quality Assurance System guarantees the control and traceability of the product.

Options: For non-standard Actuator Options, please contact us for further information.

Orders and Information: For additional information or to place a order call your nearest Distributor or visit www.rattiinox.com

TECHNICAL INFORMATION _ CAT. N. XACT HNKS 0##0 X0000

MANUAL ACTUATORS FOR ATEX APP.



Clean and Aseptic Valves of CAD Product Line have simple and safe design, with their full drainability, without asymptotic seal and dead leg, are offering fast cleanability and sterilization practices. They are designed to fulfill stringent demands of CIP-SIP and Production Cycles on Aseptic Processing.

HNKS - Manual Actuator are designed to control the PTFE diaphragm of the CAD Clean and Aseptic Valves on ATEX areas. It has few and simple moveable parts which results in a very reliable component and low maintenance cost.

CODE	A	B mm (inch)	C mm (inch)	D mm (inch)	E mm (inch)	SIZE
XACT-HNKS-0120-X0000	M34x1	39,50 (1,56)	62,00 (2,44)	2,50 (0,10)	39,50 (1,56)	A12
XACT-HNKS-0190-X0000	M50x1	58,00 (2,29)	68,00 (2,68)	4,50 (0,18)	50,00 (1,97)	A19
XACT-HNKS-0250-X0000	M70x1	80,00 (3,15)	82,00 (3,23)	5,50 (0,22)	72,00 (2,84)	A25
XACT-HNKS-0380-X0000	M80x1	99,00 (3,90)	101,50 (4,00)	8,50 (0,34)	110,00 (4,33)	A38
XACT-HNKS-0500-X0000	M103x1,5	119,00 (4,69)	115,50 (4,55)	11,00 (0,43)	110,00 (4,33)	A50

SPECIFICATION:

CAD SIZE		A12	A19	A25	A38	A50		
MATERIAL	body	1.4404	1.4404	1.4404	1.4404	1.4404		
	locking ring	1.4404	1.4404	1.4404	1.4404	1.4404		
	hand knob	1.4404	1.4404	1.4404	1.4404	1.4404		
DESIGN PRESSURE	max(1) bar(g)	6	6	6	6	6		
	max psi(g)	87	87	87	87	87		
	min bar(g)	-1	-1	-1	-1	-1		
	min psi(g)	-14	-14	-14	-14	-14		

Environment Temperature: are autoclavable 135° C

Application Areas: II 2G Ex h IIB T4 Gb
II 2D Ex h IIIB T135°C Db

Note: The applied valve body and diaphragm may have different design temperature and/or pressure limits. The weakest component determines the maximum design temperature and pressure limits, when they are assembled.

Surface Roughness: External surface $Ra \leq 0.8\mu m$ (32 μ inch)

Lubricant: Actuator are lubricated to workshop and don't need lubrication

Labeling: Each Actuator is labeled for full LOT traceability

Packaging: The Actuator is packaged in a closed box with Operating and Maintenance bulletin, Certificate of Conformity and Materials Certification 3.1

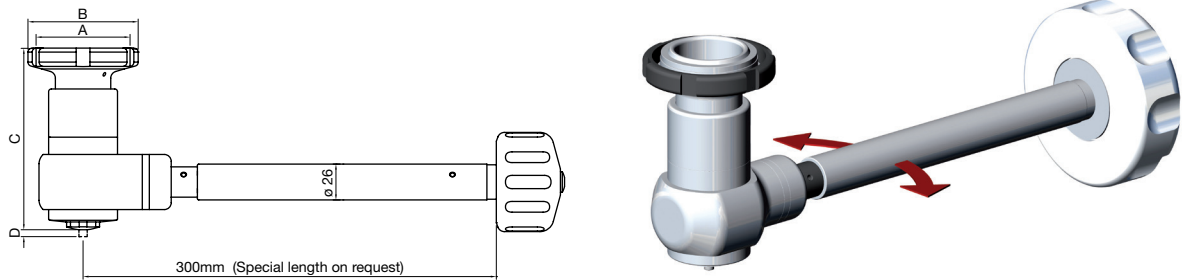
Quality Control: Quality Assurance System guarantees the control and traceability of the product.

Options: For non-standard Actuator Options, please contact us for further information.

Orders and Information: For additional information or to place a order call your nearest Distributor or visit www.rattiinox.com

TECHNICAL INFORMATION _ CAT. N. YACT HNKE 0##0 X0000

90° EXTENDED HAND KNOB 300mm STRAIGHT VERSION



Clean and Aseptic Valves of CAD Product Line have simple and safe design, with their full drainability, without asymptotic seal and dead leg, are offering fast cleanability and sterilization practices. They are designed to fulfill stringent demands of CIP-SIP and Production Cycles on Aseptic Processing.

HNKE - 90° Extended Hand Knob is designed to control the CAD Clean and Aseptic Valves on SAFE areas for all application where a more comfortable or safe management is required, such as on CAD Bottom Tank Valves. It has few and simple moveable parts which results in a very reliable component and low maintenance cost. Standard extension of 300 mm but special lengths available on request. Rotating system as standard for an easier assembling and ready to be connected to the CAD Double Position Sensor (H060: YACT-SEND-0XX0-X0000).

CODE	A	B mm (inch)	C mm (inch)	D mm (inch)	SIZE
YACT-HNKE-0250-X0000	M70x1	80,00 (3,15)	126,00 (4,96)	5,50 (0,22)	A25
YACT-HNKE-0380-X0000	M80x1	99,00 (3,90)	151,00 (5,95)	8,50 (0,34)	A38
YACT-HNKE-0500-X0000	M103x1,5	119,00 (4,69)	165,50 (6,52)	11,00 (0,43)	A50

SPECIFICATION:

CAD SIZE		A25	A38	A50				
MATERIAL	body	1.4404	1.4404	1.4404				
	locking ring	1.4404	1.4404	1.4404				
	hand knob	PTFE	PTFE	PTFE				
DESIGN PRESSURE	max(1) bar(g)	6	6	6				
	max psi(g)	87	87	87				
	min bar(g)	-1	-1	-1				
	min psi(g)	-14	-14	-14				

Environment Temperature: are autoclavable 135° C

Application Areas: SAFE

Note: The applied valve body and diaphragm may have different design temperature and/or pressure limits. The weakest component determines the maximum design temperature and pressure limits, when they are assembled.

Surface Roughness: External surface Ra ≤ 0.8µm (32µinch)

Lubricant: Actuator are lubricated to workshop and don't need lubrication

Labeling: Each Actuator is labeled for full LOT traceability

Packaging: The Actuator is packaged in a closed box with Operating and Maintenance bulletin, Certificate of Conformity and Materials Certification 3.1

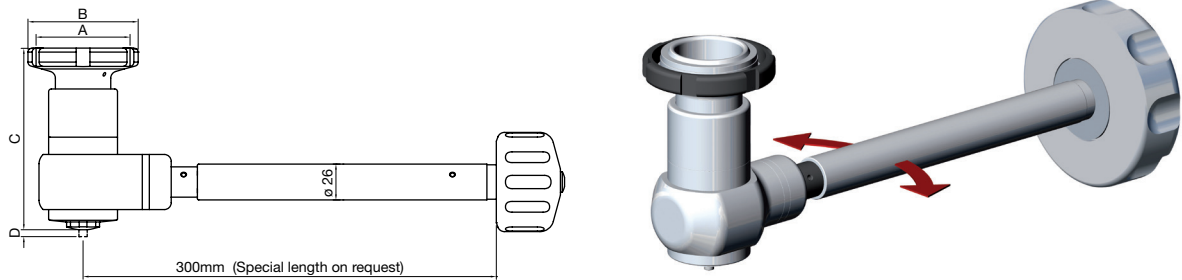
Quality Control: Quality Assurance System guarantees the control and traceability of the product.

Options: For non-standard Actuator Options or special length, please contact us for further information.

Orders and Information: For additional information or to place a order call your nearest Distributor or visit www.rattiinox.com

TECHNICAL INFORMATION _ CAT. N. XACT HNKE 0##0 X0000

90° EXTENDED HAND KNOB 300mm STRAIGHT VERSION FOR ATEX APP.



.....

Clean and Aseptic Valves of CAD Product Line have simple and safe design, with their full drainability, without asymptotic seal and dead leg, are offering fast cleanability and sterilization practices. They are designed to fulfill stringent demands of CIP-SIP and Production Cycles on Aseptic Processing.

XNKE - 90° Extended Hand Knob is designed to control the CAD Clean and Aseptic Valves on ATEX areas for all application where a more comfortable or safe management is required, such as on CAD Bottom Tank Valves. It has few and simple moveable parts which results in a very reliable component and low maintenance cost. Standard extension of 300 mm but special lengths available on request. Rotating system as standard for an easier assembling and ready to be connected to the CAD Double Position Sensor (H060: XACT-SEND-0XX0-X0000).

.....

CODE	A	B mm (inch)	C mm (inch)	D mm (inch)	SIZE
XACT-HNKE-0250-X0000	M70x1	80,00 (3,15)	126,00 (4,96)	5,50 (0,22)	A25
XACT-HNKE-0380-X0000	M80x1	99,00 (3,90)	151,00 (5,95)	8,50 (0,34)	A28
XACT-HNKE-0500-X0000	M103x1,5	119,00 (4,69)	165,50 (6,52)	11,00 (0,43)	A50

SPECIFICATION:

CAD SIZE		A25	A38	A50				
MATERIAL	body	1.4404	1.4404	1.4404				
	locking ring	1.4404	1.4404	1.4404				
	hand knob	1.4404	1.4404	1.4404				
DESIGN PRESSURE	max(1) bar(g)	6	6	6				
	max psi(g)	87	87	87				
	min bar(g)	-1	-1	-1				
	min psi(g)	-14	-14	-14				

Environment Temperature: are autoclavable 135° C

Application Areas: II 2G Ex h IIB T4 Gb
II 2D Ex h IIIB T135°C Db

Note: The applied valve body and diaphragm may have different design temperature and/or pressure limits. The weakest component determines the maximum design temperature and pressure limits, when they are assembled.

Surface Roughness: External surface $Ra \leq 0.8\mu m$ (32 μ inch)

Lubricant: Actuator are lubricated to workshop and don't need lubrication

Labeling: Each Actuator is labeled for full LOT traceability

Packaging: The Actuator is packaged in a closed box with Operating and Maintenance bulletin, Certificate of Conformity and Materials Certification 3.1

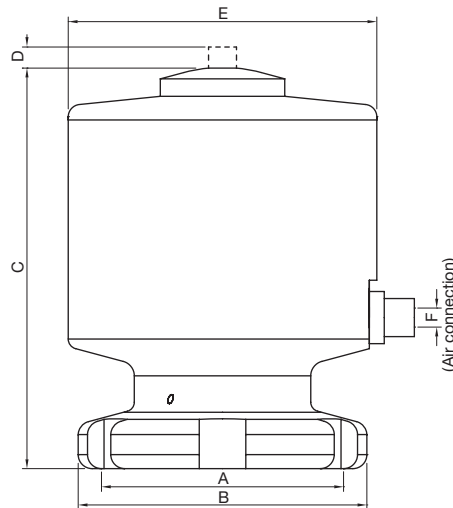
Quality Control: Quality Assurance System guarantees the control and traceability of the product.

Options: For non-standard Actuator Options or special length, please contact us for further information.

Orders and Information: For additional information or to place a order call your nearest Distributor or visit www.rattiinox.com

TECHNICAL INFORMATION _ CAT. N. YACT PANC 0##0 X0000

PNEUMATIC ACTUATORS NC



Clean and Aseptic Valves of CAD Product Line have simple and safe design, with their full drainability, without asymptotic seal and dead leg, are offering fast cleanability and sterilization practices. They are designed to fulfill stringent demands of CIP-SIP and Production Cycles on Aseptic Processing.

PANC - Pneumatic Actuator Normally Closed are designed to control the PTFE diaphragm of the CAD Clean and Aseptic Valves for SAFE areas. It has few and simple moveable parts which results in a very reliable component and low maintenance cost.

CODE	A	B mm (inch)	C mm (inch)	D mm (inch)	E mm (inch)	F	SIZE
YACT-PANC-0120-X0000	M34x1	39,50 (1,56)	72,00 (2,84)	2,50 (0,10)	50,00 (1,97)	4,00	A12
YACT-PANC-0190-X0000	M50x1	58,00 (2,29)	80,50 (3,17)	4,50 (0,18)	62,00 (2,44)	4,00	A19
YACT-PANC-0250-X0000	M70x1	80,00 (3,15)	111,00 (4,37)	5,50 (0,22)	79,00 (3,11)	6,00	A25
YACT-PANC-0380-X0000	M80x1	99,00 (3,90)	140,00 (5,51)	8,50 (0,34)	99,00 (3,90)	6,00	A38
YACT-PANC-0500-X0000	M103x1,5	119,00 (4,69)	174,00 (6,85)	11,00 (0,43)	119,00 (4,69)	6,00	A50
YACT-PANC-0630-X0000	M120x1,5	143,00 (5,63)	195,00 (7,68)	14,00 (0,55)	139,00 (5,47)	6,00	A63
YACT-PANC-0760-X0000	M140x1,5	168,00 (6,61)	256,00 (10,08)	17,00 (0,67)	149,00 (5,87)	6,00	A76
YACT-PANC-0000-X0000	M169x1,5	198,00 (7,80)	311,00 (12,24)	22,00 (0,87)	174,00 (6,85)	6,00	A00

SPECIFICATION:

CAD SIZE		A12	A19	A25	A38	A50	A63	A76	A00
DESIGN PRESSURE	max(1) bar(g)	6	6	6	6	6	6	4	4
	max psi(g)	87	87	87	87	87	87	58	58
	min bar(g)	-1	-1	-1	-1	-1	-1	-1	-1
	min psi(g)	-14	-14	-14	-14	-14	-14	-14	-14

Max⁽¹⁾ Max. pressure in bar without leakage at the valve seat

AIR FEED PRESSURE⁽²⁾	max(1) bar(g)	10	10	10	10	10	10	10	10
	max psi(g)	140	140	140	140	140	140	140	140
	min bar(g)	5,5	5,5	5,5	5,5	5,5	5,5	5,5	5,5
	min psi(g)	80	80	80	80	80	80	80	80
	Pneumatic Fast Fitting mm (in.)	M5 0,23	M5 0,23	1/8" 1/8"	1/8" 1/8"	1/8" 1/8"	1/8" 1/8"	1/8" 1/8"	1/8" 1/8"
Air feed tube diameter	mm	4	4	6	6	6	6	6	6

Compressed Air ⁽²⁾ Compressed Air must be dry and filtered to 10 micron

MATERIAL	1.4404	1.4404	1.4404	1.4404	1.4404	1.4404	1.4404	1.4404	1.4404
----------	--------	--------	--------	--------	--------	--------	--------	--------	--------

Environment Temperature: 0 to 70 °C (32 to 158 °F)

Application Areas: SAFE

Note: The applied valve body and diaphragm may have different design temperature and/or pressure limits. The weakest component determines the maximum design temperature and pressure limits, when they are assembled.

Surface Roughness: External surface Ra ≤ 0.8µm (32µinch)

Lubricant: Actuator are lubricated to workshop and don't need lubrication

Labeling: Each Actuator is labeled for full LOT traceability

Packaging: The Actuator is packaged in a closed box with Operating and Maintenance bulletin, Certificate of Conformity and Materials Certification 3.1

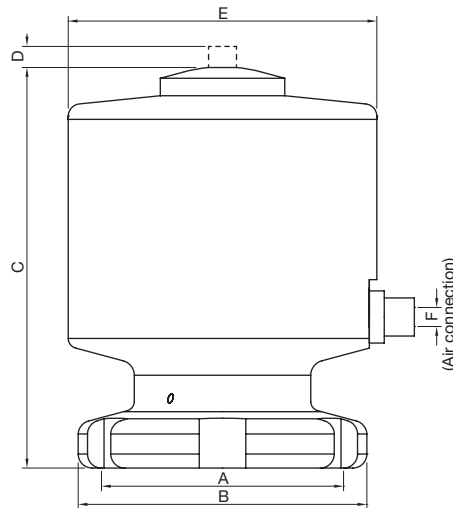
Quality Control: Quality Assurance System guarantees the control and traceability of the product.

Options: For non-standard Actuator Options, please contact us for further information.

Orders and Information: For additional information or to place a order call your nearest Distributor or visit www.rattiinox.com

TECHNICAL INFORMATION _ CAT. N. XACT PANC 0##0 X0000

PNEUMATIC ACTUATORS NC FOR ATEX APP.



Clean and Aseptic Valves of CAD Product Line have simple and safe design, with their full drainability, without asymptotic seal and dead leg, are offering fast cleanability and sterilization practices. They are designed to fulfill stringent demands of CIP-SIP and Production Cycles on Aseptic Processing.

PANC - Pneumatic Actuator Normally Closed are designed to control the PTFE diaphragm of the CAD Clean and Aseptic Valves for ATEX areas. It has few and simple moveable parts which results in a very reliable component and low maintenance cost.

CODE	A	B mm (inch)	C mm (inch)	D mm (inch)	E mm (inch)	F	SIZE
XACT-PANC-0120-X0000	M34x1	39,50 (1,56)	72,00 (2,84)	2,50 (0,10)	50,00 (1,97)	4,00	A12
XACT-PANC-0190-X0000	M50x1	58,00 (2,29)	80,50 (3,17)	4,50 (0,18)	62,00 (2,44)	4,00	A19
XACT-PANC-0250-X0000	M70x1	80,00 (3,15)	111,00 (4,37)	5,50 (0,22)	79,00 (3,11)	6,00	A25
XACT-PANC-0380-X0000	M80x1	99,00 (3,90)	140,00 (5,51)	8,50 (0,34)	99,00 (3,90)	6,00	A38
XACT-PANC-0500-X0000	M103x1,5	119,00 (4,69)	174,00 (6,85)	11,00 (0,43)	119,00 (4,69)	6,00	A50
XACT-PANC-0630-X0000	M120x1,5	143,00 (5,63)	195,00 (7,68)	14,00 (0,55)	139,00 (5,47)	6,00	A63
XACT-PANC-0760-X0000	M140x1,5	168,00 (6,61)	256,00 (10,08)	17,00 (0,67)	149,00 (5,87)	6,00	A76
XACT-PANC-0000-X0000	M169x1,5	198,00 (7,80)	311,00 (12,24)	22,00 (0,87)	174,00 (6,85)	6,00	A00

SPECIFICATION:

CAD SIZE		A12	A19	A25	A38	A50	A63	A76	A00
DESIGN PRESSURE	max(1) bar(g)	6	6	6	6	6	6	4	4
	max psi(g)	87	87	87	87	87	87	58	58
	min bar(g)	-1	-1	-1	-1	-1	-1	-1	-1
	min psi(g)	-14	-14	-14	-14	-14	-14	-14	-14

Max⁽¹⁾ Max. pressure in bar without leakage at the valve seat

AIR FEED PRESSURE⁽²⁾	max(1) bar(g)	10	10	10	10	10	10	10	10
	max psi(g)	140	140	140	140	140	140	140	140
	min bar(g)	5,5	5,5	5,5	5,5	5,5	5,5	5,5	5,5
	min psi(g)	80	80	80	80	80	80	80	80
	Pneumatic Fast Fitting mm (in.)	M5 0,23	M5 0,23	1/8" 1/8"	1/8" 1/8"	1/8" 1/8"	1/8" 1/8"	1/8" 1/8"	1/8" 1/8"
Air feed tube diameter	mm	4	4	6	6	6	6	6	6

Compressed Air ⁽²⁾ Compressed Air must be dry and filtered to 10 micron

MATERIAL	1.4404	1.4404	1.4404	1.4404	1.4404	1.4404	1.4404	1.4404	1.4404
----------	--------	--------	--------	--------	--------	--------	--------	--------	--------

Environment Temperature: 0 to 70 °C (32 to 158 °F)

Application Areas: II 2G Ex h IIB T4 Gb
II 2D Ex h III B T135°C Db

Note: The applied valve body and diaphragm may have different design temperature and/or pressure limits. The weakest component determines the maximum design temperature and pressure limits, when they are assembled.

Surface Roughness: External surface Ra ≤ 0.8µm (32µinch)

Lubricant: Actuator are lubricated to workshop and don't need lubrication

Labeling: Each Actuator is labeled for full LOT traceability

Packaging: The Actuator is packaged in a closed box with Operating and Maintenance bulletin, Certificate of Conformity and Materials Certification 3.1

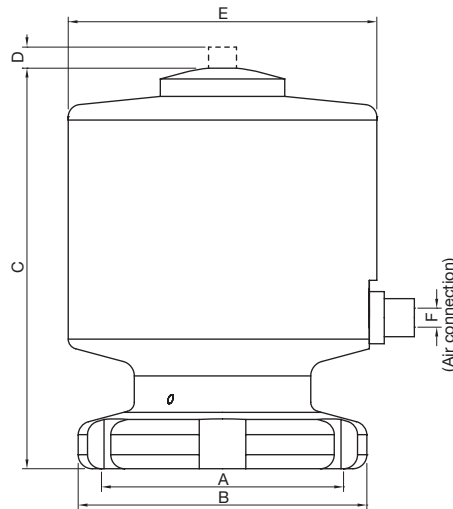
Quality Control: Quality Assurance System guarantees the control and traceability of the product.

Options: For non-standard Actuator Options, please contact us for further information.

Orders and Information: For additional information or to place an order call your nearest Distributor or visit www.rattiinox.com

TECHNICAL INFORMATION _ CAT. N. YACT PANC 0##0 X0016

PNEUMATIC ACTUATORS NC FOR APPLICATIONS UP TO 16 BAR



Clean and Aseptic Valves of CAD Product Line have simple and safe design, with their full drainability, without asymptotic seal and dead leg, are offering fast cleanability and sterilization practices. They are designed to fulfill stringent demands of CIP-SIP and Production Cycles on Aseptic Processing.

PANC - Pneumatic Actuator Normally Closed are designed to control the PTFE diaphragm of the CAD Clean and Aseptic Valves for SAFE areas. It has few and simple moveable parts which results in a very reliable component and low maintenance cost.

CODE	A	B mm (inch)	C mm (inch)	D mm (inch)	E mm (inch)	F	SIZE
YACT-PANC-0120-X0016	M34x1	39,50 (1,56)	77,00 (3,03)	2,50 (0,10)	62,00 (2,44)	4,00	A12
YACT-PANC-0190-X0016	M50x1	58,00 (2,29)	100,00 (3,94)	4,50 (0,18)	79,00 (3,11)	6,00	A19

SPECIFICATION:

CAD SIZE	A12	A19					
-----------------	-----	-----	--	--	--	--	--

DESIGN PRESSURE	max(1) bar(g)	16	16				
	max psi(g)	232	232				
	min bar(g)	-1	-1				
	min psi(g)	-14	-14				

Max⁽¹⁾ Max. pressure in bar without leakage at the valve seat

AIR FEED PRESSURE⁽²⁾	max(1) bar(g)	10	10				
	max psi(g)	140	140				
	min bar(g)	6	6				
	min psi(g)	87	87				
	Pneumatic Fast Fitting mm (in.)	M5 0,23	M5 0,23				
Air feed tube diameter	mm	4	4				

Compressed Air ⁽²⁾ Compressed Air must be dry and filtered to 10 micron

MATERIAL	1.4404	1.4404					
-----------------	--------	--------	--	--	--	--	--

Environment Temperature: 0 to 70 °C (32 to 158 °F)

Application Areas: SAFE

Note: The applied valve body and diaphragm may have different design temperature and/or pressure limits. The weakest component determines the maximum design temperature and pressure limits, when they are assembled.

Surface Roughness: External surface Ra ≤ 0.8µm (32µinch)

Lubricant: Actuator are lubricated to workshop and don't need lubrication

Labeling: Each Actuator is labeled for full LOT traceability

Packaging: The Actuator is packaged in a closed box with Operating and Maintenance bulletin, Certificate of Conformity and Materials Certification 3.1

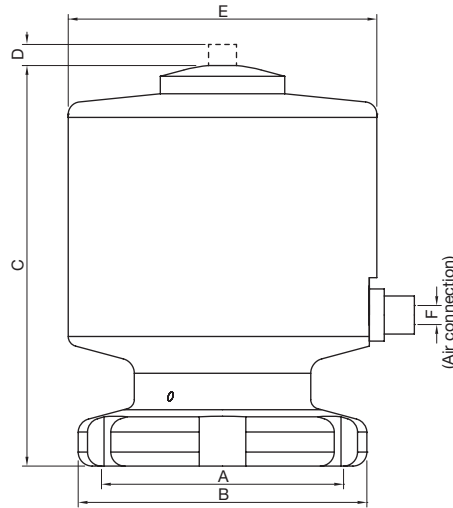
Quality Control: Quality Assurance System guarantees the control and traceability of the product.

Options: For non-standard Actuator Options, please contact us for further information.

Orders and Information: For additional information or to place a order call your nearest Distributor or visit www.rattiinox.com

TECHNICAL INFORMATION _ CAT. N. XACT PANC 0##0 X0016

PNEUMATIC ACTUATORS NC FOR ATEX APPLICATIONS UP TO 16 BAR



Clean and Aseptic Valves of CAD Product Line have simple and safe design, with their full drainability, without asymptotic seal and dead leg, are offering fast cleanability and sterilization practices. They are designed to fulfil stringent demands of CIP-SIP and Production Cycles on Aseptic Processing.

PANC - Pneumatic Actuator Normally Closed are designed to control the PTFE diaphragm of the CAD Clean and Aseptic Valves for ATEX areas. It has few and simple moveable parts which results in a very reliable component and low maintenance cost.

CODE	A	B mm (inch)	C mm (inch)	D mm (inch)	E mm (inch)	F	SIZE
XACT-PANC-0120-X0016	M34x1	39,50 (1,56)	77,00 (3,03)	2,50 (0,10)	62,00 (2,44)	4,00	A12
XACT-PANC-0190-X0016	M50x1	58,00 (2,29)	100,00 (3,94)	4,50 (0,18)	79,00 (3,11)	6,00	A19

SPECIFICATION:

CAD SIZE	A12	A19					
-----------------	-----	-----	--	--	--	--	--

DESIGN PRESSURE	max(1) bar(g)	16	16				
	max psi(g)	232	232				
	min bar(g)	-1	-1				
	min psi(g)	-14	-14				

Max⁽¹⁾ Max. pressure in bar without leakage at the valve seat

AIR FEED PRESSURE⁽²⁾	max(1) bar(g)	10	10				
	max psi(g)	140	140				
	min bar(g)	6	6				
	min psi(g)	87	87				
	Pneumatic Fast Fitting mm (in.)	M5 0,23	M5 0,23				
Air feed tube diameter	mm	4	4				

Compressed Air ⁽²⁾ Compressed Air must be dry and filtered to 10 micron

MATERIAL	1.4404	1.4404					
-----------------	--------	--------	--	--	--	--	--

Environment Temperature: 0 to 70 °C (32 to 158 °F)

Application Areas: II 2G Ex h IIB T4 Gb
II 2D Ex h IIIB T135°C Db

Note: The applied valve body and diaphragm may have different design temperature and/or pressure limits. The weakest component determines the maximum design temperature and pressure limits, when they are assembled.

Surface Roughness: External surface Ra ≤ 0.8µm (32µinch)

Lubricant: Actuator are lubricated to workshop and don't need lubrication

Labeling: Each Actuator is labeled for full LOT traceability

Packaging: The Actuator is packaged in a closed box with Operating and Maintenance bulletin, Certificate of Conformity and Materials Certification 3.1

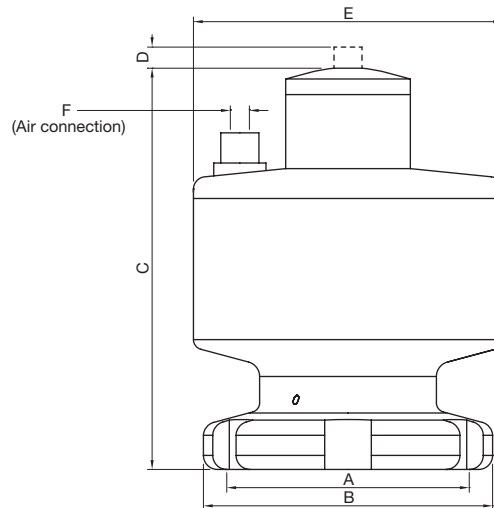
Quality Control: Quality Assurance System guarantees the control and traceability of the product.

Options: For non-standard Actuator Options, please contact us for further information.

Orders and Information: For additional information or to place a order call your nearest Distributor or visit www.rattiinox.com

TECHNICAL INFORMATION _ CAT. N. YACT PANO 0##0 X0000

PNEUMATIC ACTUATORS NO



Clean and Aseptic Valves of CAD Product Line have simple and safe design, with their full drainability, without asymptotic seal and dead leg, are offering fast cleanability and sterilization practices. They are designed to fulfill stringent demands of CIP-SIP and Production Cycles on Aseptic Processing.

PANO - Pneumatic Actuator Normally Open are designed to control the PTFE diaphragm of the CAD Clean and Aseptic Valves for SAFE areas. It has few and simple moveable parts which results in a very reliable component and low maintenance cost.

CODE	A	B mm (inch)	C mm (inch)	D mm (inch)	E mm (inch)	F	SIZE
YACT-PANO-0120-X0000	M34x1	39,50 (1,56)	72,00 (2,84)	2,50 (0,10)	50,00 (1,97)	4,00	A12
YACT-PANO-0190-X0000	M50x1	58,00 (2,29)	80,50 (3,17)	4,50 (0,18)	62,00 (2,44)	4,00	A19
YACT-PANO-0250-X0000	M70x1	80,00 (3,15)	111,00 (4,37)	5,50 (0,22)	79,00 (3,11)	6,00	A25
YACT-PANO-0380-X0000	M80x1	99,00 (3,90)	140,00 (5,51)	8,50 (0,34)	99,00 (3,90)	6,00	A38
YACT-PANO-0500-X0000	M103x1,5	119,00 (4,69)	174,00 (6,85)	11,00 (0,43)	119,00 (4,69)	6,00	A50
YACT-PANO-0630-X0000	M120x1,5	143,00 (5,63)	195,00 (7,68)	14,00 (0,55)	139,00 (5,47)	6,00	A63
YACT-PANO-0760-X0000	M140x1,5	168,00 (6,61)	256,00 (10,08)	17,00 (0,67)	149,00 (5,87)	6,00	A76

SPECIFICATION:

CAD SIZE		A12	A19	A25	A38	A50	A63	A76
DESIGN PRESSURE	max(1) bar(g)	6	6	6	6	6	6	4
	max psi(g)	87	87	87	87	87	87	58
	min bar(g)	-1	-1	-1	-1	-1	-1	-1
	min psi(g)	-14	-14	-14	-14	-14	-14	-14

Max⁽¹⁾ Max. pressure in bar without leakage at the valve seat

AIR FEED PRESSURE ⁽²⁾	max(1) bar(g)	10	10	10	10	10	10	10
	max psi(g)	140	140	140	140	140	140	140
	min bar(g)	5,5	5,5	5,5	5,5	5,5	5,5	5,5
	min psi(g)	80	80	80	80	80	80	80
	Pneumatic Fast Fitting mm (in.)	M5 0,23	M5 0,23	1/8" 1/8"	1/8" 1/8"	1/8" 1/8"	1/8" 1/8"	1/8" 1/8"
Air feed tube diameter	mm	4	4	6	6	6	6	6

Compressed Air ⁽²⁾ Compressed Air must be dry and filtered to 10 micron

MATERIAL	1.4404	1.4404	1.4404	1.4404	1.4404	1.4404	1.4404
----------	--------	--------	--------	--------	--------	--------	--------

Environment Temperature: 0 to 70 °C (32 to 158 °F)

Application Areas: SAFE

Note: The applied valve body and diaphragm may have different design temperature and/or pressure limits. The weakest component determines the maximum design temperature and pressure limits, when they are assembled.

Surface Roughness: External surface Ra ≤ 0.8µm (32µinch)

Lubricant: Actuator are lubricated to workshop and don't need lubrication

Labeling: Each Actuator is labeled for full LOT traceability

Packaging: The Actuator is packaged in a closed box with Operating and Maintenance bulletin, Certificate of Conformity and Materials Certification 3.1

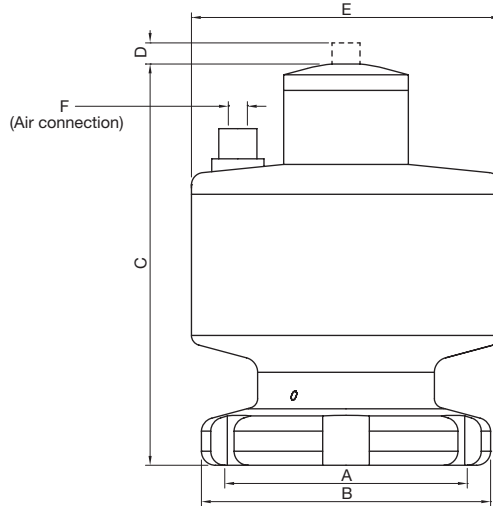
Quality Control: Quality Assurance System guarantees the control and traceability of the product.

Options: For non-standard Actuator Options, please contact us for further information.

Orders and Information: For additional information or to place a order call your nearest Distributor or visit www.rattiinox.com

TECHNICAL INFORMATION _ CAT. N. XACT PANO 0##0 X0000

PNEUMATIC ACTUATORS NO FOR ATEX APP.



Clean and Aseptic Valves of CAD Product Line have simple and safe design, with their full drainability, without asymptotic seal and dead leg, are offering fast cleanability and sterilization practices. They are designed to fulfill stringent demands of CIP-SIP and Production Cycles on Aseptic Processing.

PANO - Pneumatic Actuator Normally Open are designed to control the PTFE diaphragm of the CAD Clean and Aseptic Valves for ATEX areas. It has few and simple moveable parts which results in a very reliable component and low maintenance cost.

CODE	A	B mm (inch)	C mm (inch)	D mm (inch)	E mm (inch)	F	SIZE
XACT-PANO-0120-X0000	M34x1	39,50 (1,56)	72,00 (2,84)	2,50 (0,10)	50,00 (1,97)	4,00	A12
XACT-PANO-0190-X0000	M50x1	58,00 (2,29)	80,50 (3,17)	4,50 (0,18)	62,00 (2,44)	4,00	A19
XACT-PANO-0250-X0000	M70x1	80,00 (3,15)	111,00 (4,37)	5,50 (0,22)	79,00 (3,11)	6,00	A25
XACT-PANO-0380-X0000	M80x1	99,00 (3,90)	140,00 (5,51)	8,50 (0,34)	99,00 (3,90)	6,00	A38
XACT-PANO-0500-X0000	M103x1,5	119,00 (4,69)	174,00 (6,85)	11,00 (0,43)	119,00 (4,69)	6,00	A50
XACT-PANO-0630-X0000	M120x1,5	143,00 (5,63)	195,00 (7,68)	14,00 (0,55)	139,00 (5,47)	6,00	A63
XACT-PANO-0760-X0000	M140x1,5	168,00 (6,61)	256,00 (10,08)	17,00 (0,67)	149,00 (5,87)	6,00	A76

SPECIFICATION:

CAD SIZE		A12	A19	A25	A38	A50	A63	A76
DESIGN PRESSURE	max(1) bar(g)	6	6	6	6	6	6	4
	max psi(g)	87	87	87	87	87	87	58
	min bar(g)	-1	-1	-1	-1	-1	-1	-1
	min psi(g)	-14	-14	-14	-14	-14	-14	-14

Max⁽¹⁾ Max. pressure in bar without leakage at the valve seat

AIR FEED PRESSURE ⁽²⁾	max(1) bar(g)	10	10	10	10	10	10	10
	max psi(g)	140	140	140	140	140	140	140
	min bar(g)	5,5	5,5	5,5	5,5	5,5	5,5	5,5
	min psi(g)	80	80	80	80	80	80	80
	Pneumatic Fast Fitting mm (in.)	M5 0,23	M5 0,23	1/8" 1/8"	1/8" 1/8"	1/8" 1/8"	1/8" 1/8"	1/8" 1/8"
Air feed tube diameter	mm	4	4	6	6	6	6	6

Compressed Air ⁽²⁾ Compressed Air must be dry and filtered to 10 micron

MATERIAL	1.4404	1.4404	1.4404	1.4404	1.4404	1.4404	1.4404
----------	--------	--------	--------	--------	--------	--------	--------

Environment Temperature: 0 to 70 °C (32 to 158 °F)

Application Areas: II 2G Ex h IIB T4 Gb
II 2D Ex h III B T135°C Db

Note: The applied valve body and diaphragm may have different design temperature and/or pressure limits. The weakest component determines the maximum design temperature and pressure limits, when they are assembled.

Surface Roughness: External surface Ra ≤ 0.8µm (32µinch)

Lubricant: Actuator are lubricated to workshop and don't need lubrication

Labeling: Each Actuator is labeled for full LOT traceability

Packaging: The Actuator is packaged in a closed box with Operating and Maintenance bulletin, Certificate of Conformity and Materials Certification 3.1

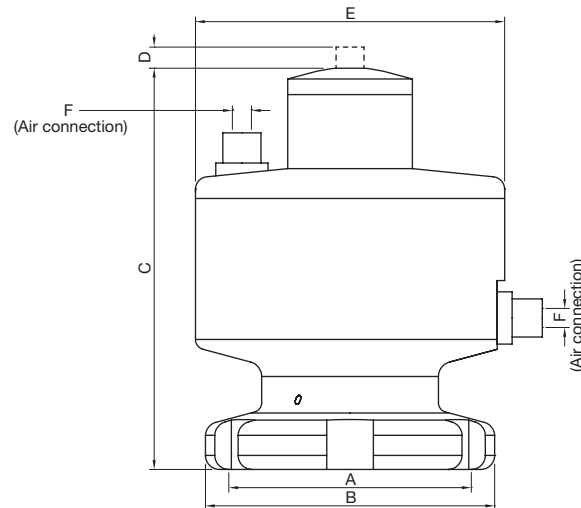
Quality Control: Quality Assurance System guarantees the control and traceability of the product.

Options: For non-standard Actuator Options, please contact us for further information.

Orders and Information: For additional information or to place a order call your nearest Distributor or visit www.rattiinox.com

TECHNICAL INFORMATION _ CAT. N. YACT PADE 0##0 X0000

PNEUMATIC ACTUATORS DE



Clean and Aseptic Valves of CAD Product Line have simple and safe design, with their full drainability, without asymptotic seal and dead leg, are offering fast cleanability and sterilization practices. They are designed to fulfill stringent demands of CIP-SIP and Production Cycles on Aseptic Processing.

PADE - Pneumatic Actuator Double Effect are designed to control the PTFE diaphragm of the CAD Clean and Aseptic Valves for SAFE areas. It has few and simple moveable parts which results in a very reliable component and low maintenance cost.

CODE	A	B mm (inch)	C mm (inch)	D mm (inch)	E mm (inch)	F	SIZE
YACT-PADE-0120-X0000	M34x1	39,50 (1,56)	72,00 (2,84)	2,50 (0,10)	50,00 (1,97)	4,00	A12
YACT-PADE-0190-X0000	M50x1	58,00 (2,29)	80,50 (3,17)	4,50 (0,18)	62,00 (2,44)	4,00	A19
YACT-PADE-0250-X0000	M70x1	80,00 (3,15)	111,00 (4,37)	5,50 (0,22)	79,00 (3,11)	6,00	A25
YACT-PADE-0380-X0000	M80x1	99,00 (3,90)	140,00 (5,51)	8,50 (0,34)	99,00 (3,90)	6,00	A38
YACT-PADE-0500-X0000	M103x1,5	119,00 (4,69)	174,00 (6,85)	11,00 (0,43)	119,00 (4,69)	6,00	A50
YACT-PADE-0630-X0000	M120x1,5	143,00 (5,63)	195,00 (7,68)	14,00 (0,55)	139,00 (5,47)	6,00	A63
YACT-PADE-0760-X0000	M140x1,5	168,00 (6,61)	256,00 (10,08)	17,00 (0,67)	149,00 (5,87)	6,00	A76

SPECIFICATION:

CAD SIZE		A12	A19	A25	A38	A50	A63	A76
DESIGN PRESSURE	max(1) bar(g)	6	6	6	6	6	6	4
	max psi(g)	87	87	87	87	87	87	58
	min bar(g)	-1	-1	-1	-1	-1	-1	-1
	min psi(g)	-14	-14	-14	-14	-14	-14	-14

Max⁽¹⁾ Max. pressure in bar without leakage at the valve seat

AIR FEED PRESSURE⁽²⁾	max(1) bar(g)	10	10	10	10	10	10	10
	max psi(g)	140	140	140	140	140	140	140
	min bar(g)	5,5	5,5	5,5	5,5	5,5	5,5	5,5
	min psi(g)	80	80	80	80	80	80	80
	Pneumatic Fast Fitting mm (in.)	M5 0,23	M5 0,23	1/8" 1/8"	1/8" 1/8"	1/8" 1/8"	1/8" 1/8"	1/8" 1/8"
Air feed tube diameter	mm	4	4	6	6	6	6	6

Compressed Air ⁽²⁾ Compressed Air must be dry and filtered to 10 micron

MATERIAL	1.4404	1.4404	1.4404	1.4404	1.4404	1.4404	1.4404
----------	--------	--------	--------	--------	--------	--------	--------

Environment Temperature: 0 to 70 °C (32 to 158 °F)

Application Areas: SAFE

Note: The applied valve body and diaphragm may have different design temperature and/or pressure limits. The weakest component determines the maximum design temperature and pressure limits, when they are assembled.

Surface Roughness: External surface Ra ≤ 0.8µm (32µinch)

Lubricant: Actuator are lubricated to workshop and don't need lubrication

Labeling: Each Actuator is labeled for full LOT traceability

Packaging: The Actuator is packaged in a closed box with Operating and Maintenance bulletin, Certificate of Conformity and Materials Certification 3.1

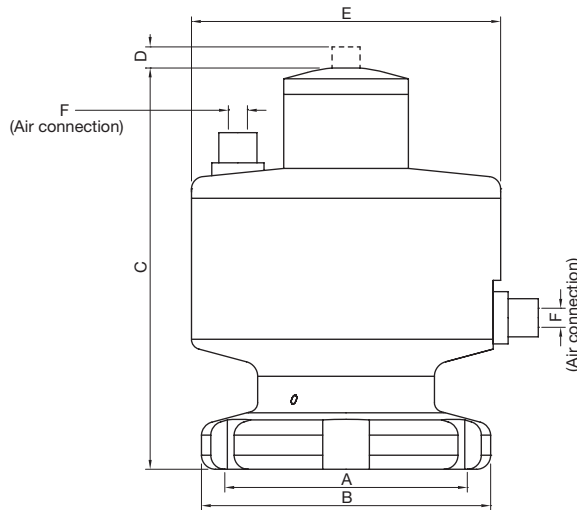
Quality Control: Quality Assurance System guarantees the control and traceability of the product.

Options: For non-standard Actuator Options, please contact us for further information.

Orders and Information: For additional information or to place a order call your nearest Distributor or visit www.rattiinox.com

TECHNICAL INFORMATION _ CAT. N. XACT PADE 0##0 X0000

PNEUMATIC ACTUATORS DE FOR ATEX APP.



Clean and Aseptic Valves of CAD Product Line have simple and safe design, with their full drainability, without asymptotic seal and dead leg, are offering fast cleanability and sterilization practices. They are designed to fulfill stringent demands of CIP-SIP and Production Cycles on Aseptic Processing.

PADE - Pneumatic Actuator Double Effect are designed to control the PTFE diaphragm of the CAD Clean and Aseptic Valves for ATEX areas. It has few and simple moveable parts which results in a very reliable component and low maintenance cost.

CODE	A	B mm (inch)	C mm (inch)	D mm (inch)	E mm (inch)	F	SIZE
XACT-PADE-0120-X0000	M34x1	39,50 (1,56)	72,00 (2,84)	2,50 (0,10)	50,00 (1,97)	4,00	A12
XACT-PADE-0190-X0000	M50x1	58,00 (2,29)	80,50 (3,17)	4,50 (0,18)	62,00 (2,44)	4,00	A19
XACT-PADE-0250-X0000	M70x1	80,00 (3,15)	111,00 (4,37)	5,50 (0,22)	79,00 (3,11)	6,00	A25
XACT-PADE-0380-X0000	M80x1	99,00 (3,90)	140,00 (5,51)	8,50 (0,34)	99,00 (3,90)	6,00	A38
XACT-PADE-0500-X0000	M103x1,5	119,00 (4,69)	174,00 (6,85)	11,00 (0,43)	119,00 (4,69)	6,00	A50
XACT-PADE-0630-X0000	M120x1,5	143,00 (5,63)	195,00 (7,68)	14,00 (0,55)	139,00 (5,47)	6,00	A63
XACT-PADE-0760-X0000	M140x1,5	168,00 (6,61)	256,00 (10,08)	17,00 (0,67)	149,00 (5,87)	6,00	A76

SPECIFICATION:

CAD SIZE		A12	A19	A25	A38	A50	A63	A76
DESIGN PRESSURE	max(1) bar(g)	6	6	6	6	6	6	4
	max psi(g)	87	87	87	87	87	87	58
	min bar(g)	-1	-1	-1	-1	-1	-1	-1
	min psi(g)	-14	-14	-14	-14	-14	-14	-14

Max⁽¹⁾ Max. pressure in bar without leakage at the valve seat

AIR FEED PRESSURE ⁽²⁾	max(1) bar(g)	10	10	10	10	10	10	10
	max psi(g)	140	140	140	140	140	140	140
	min bar(g)	5,5	5,5	5,5	5,5	5,5	5,5	5,5
	min psi(g)	80	80	80	80	80	80	80
	Pneumatic Fast Fitting mm (in.)	M5 0,23	M5 0,23	1/8" 1/8"	1/8" 1/8"	1/8" 1/8"	1/8" 1/8"	1/8" 1/8"
Air feed tube diameter	mm	4	4	6	6	6	6	6

Compressed Air ⁽²⁾ Compressed Air must be dry and filtered to 10 micron

MATERIAL	1.4404	1.4404	1.4404	1.4404	1.4404	1.4404	1.4404
----------	--------	--------	--------	--------	--------	--------	--------

Environment Temperature: 0 to 70 °C (32 to 158 °F)

Application Areas: II 2G Ex h IIB T4 Gb
II 2D Ex h III B T135°C Db

Note: The applied valve body and diaphragm may have different design temperature and/or pressure limits. The weakest component determines the maximum design temperature and pressure limits, when they are assembled.

Surface Roughness: External surface Ra ≤ 0.8µm (32µinch)

Lubricant: Actuator are lubricated to workshop and don't need lubrication

Labeling: Each Actuator is labeled for full LOT traceability

Packaging: The Actuator is packaged in a closed box with Operating and Maintenance bulletin, Certificate of Conformity and Materials Certification 3.1

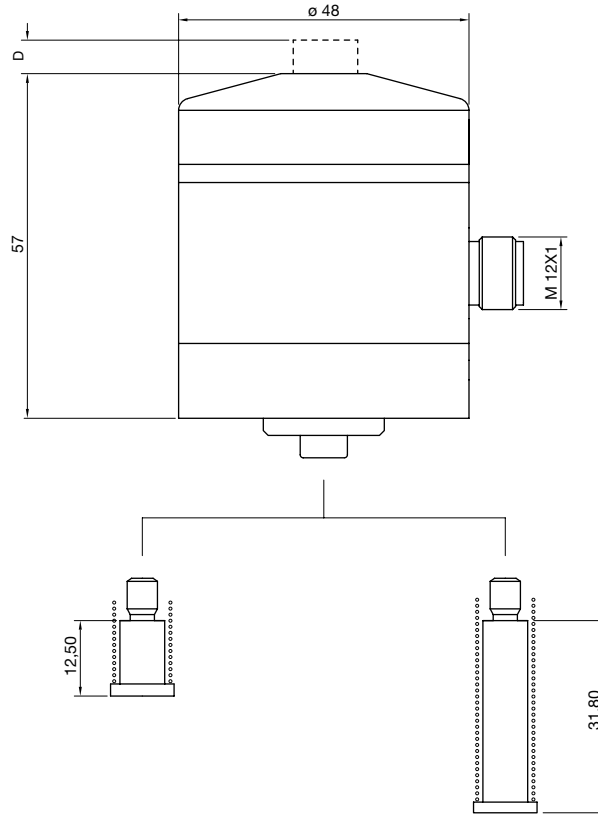
Quality Control: Quality Assurance System guarantees the control and traceability of the product.

Options: For non-standard Actuator Options, please contact us for further information.

Orders and Information: For additional information or to place a order call your nearest Distributor or visit www.rattiinox.com

TECHNICAL INFORMATION _ CAT. N. XACT SEND 0XX0 X0000

DOUBLE POSITION SENSOR



Clean and Aseptic Valves of CAD Product Line have simple and safe design, with their full drainability, without asymptotic seal and dead leg, are offering fast cleanability and sterilization practices. They are designed to fulfill stringent demands of CIP-SIP and Production Cycles on Aseptic Processing.

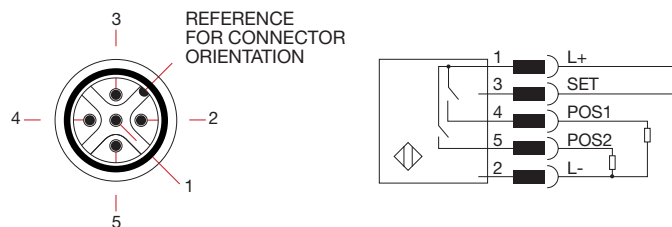
SEND - Double Position Sensor provides an indication on the state of the pneumatic valve and on the extended 90° manual actuator, giving the possibility to record the opening and closing positions. The sensor is easy to be programmed using the CAD Programmer (YACT-SENP-0XC0-X0000) or via PLC and can be used for all CAD valves. Same tool for all size of CAD actuators, thanks to the already included adaptors.

SIZE	ADAPTOR LENGHT mm (inch)	D mm (inch)
A12	12,50 (0,49)	2,50 (0,10)
A19	12,50 (0,49)	4,50 (0,18)
A25	31,80 (1,25)	5,50 (0,22)
A38	31,80 (1,25)	8,50 (0,34)
A50	31,80 (1,25)	11,00 (0,43)
A63	31,80 (1,25)	14,00 (0,55)
A76	31,80 (1,25)	17,00 (0,67)
A00	31,80 (1,25)	22,00 (0,87)

SPECIFICATION:

Safety ratings	Ui= 30V; Ii= 40 mA; Pi= 300 mW; Ci=200 nF; Li=20 µH
Power supply	10 ÷ 30VDC
Maximum current consumption without load (@Vin= 30V)	40 mA
Transistor output signaling on opening and closing position (POS1 e POS2)	Tipo: Open collector PNP Imax: 80mA Vmax: 40V
Operating temperature limits	-10°C + 80°C
Temperature limits Storage	-10°C + 80°C
Protection level	IP67
EMC Conformity	EN 61326-1:2006, EN61000-6-2:2006, EN61000-6-3:2007, EN 61326-2-3:2006

CONNECTIONS DESCRIPTION



CONNECTIONS					
Number	Name	Type	Function	V DC [V]	Max I [mA]
1	L+	Power Supply	Positive Power	10 ÷ 30	50
2	L-	Power Supply	Negative Power	-	-
3	SET	Input	Limits setting	-	28
4	POS1	Output	Valve output closed	10 ÷ 30 (Vin)	80
5	POS2	Output	Valve output open	10 ÷ 30 (Vin)	80

MATERIAL	AISI 316L - 1.4404
-----------------	--------------------

- Environment Temperature:** -10 to 80 °C (14 to 176 °F)
- Application Areas:** SAFE & ATEX: II 3G Ex ic IIC T5 Gc - II 3D Ex ic IIIC T100°C Dc
- Note:** The applied valve body and diaphragm may have different design temperature and/or pressure limits. The weakest component determines the maximum design temperature and pressure limits, when they are assembled.
- Surface Roughness:** External surface Ra ≤ 0.8µm (32µinch)
- Lubricant:** Actuator are lubricated to workshop and don't need lubrication
- Labeling:** Each Actuator is labeled for full LOT traceability
- Packaging:** The Actuator is packaged in a closed box with Operating and Maintenance bulletin and Certificate of Conformity.
- Quality Control:** Quality Assurance System guarantees the control and traceability of the product.
- Options:** For non-standard Actuator Options, please contact us for further information.
- Orders and Information:** For additional information or to place a order call your nearest Distributor or visit www.rattiinox.com